

Masport®

Outdoor Power Equipment

EDGER

Part Number 550913

Year of First Manufacture - Sept 2012

From Serial Number - 7675547

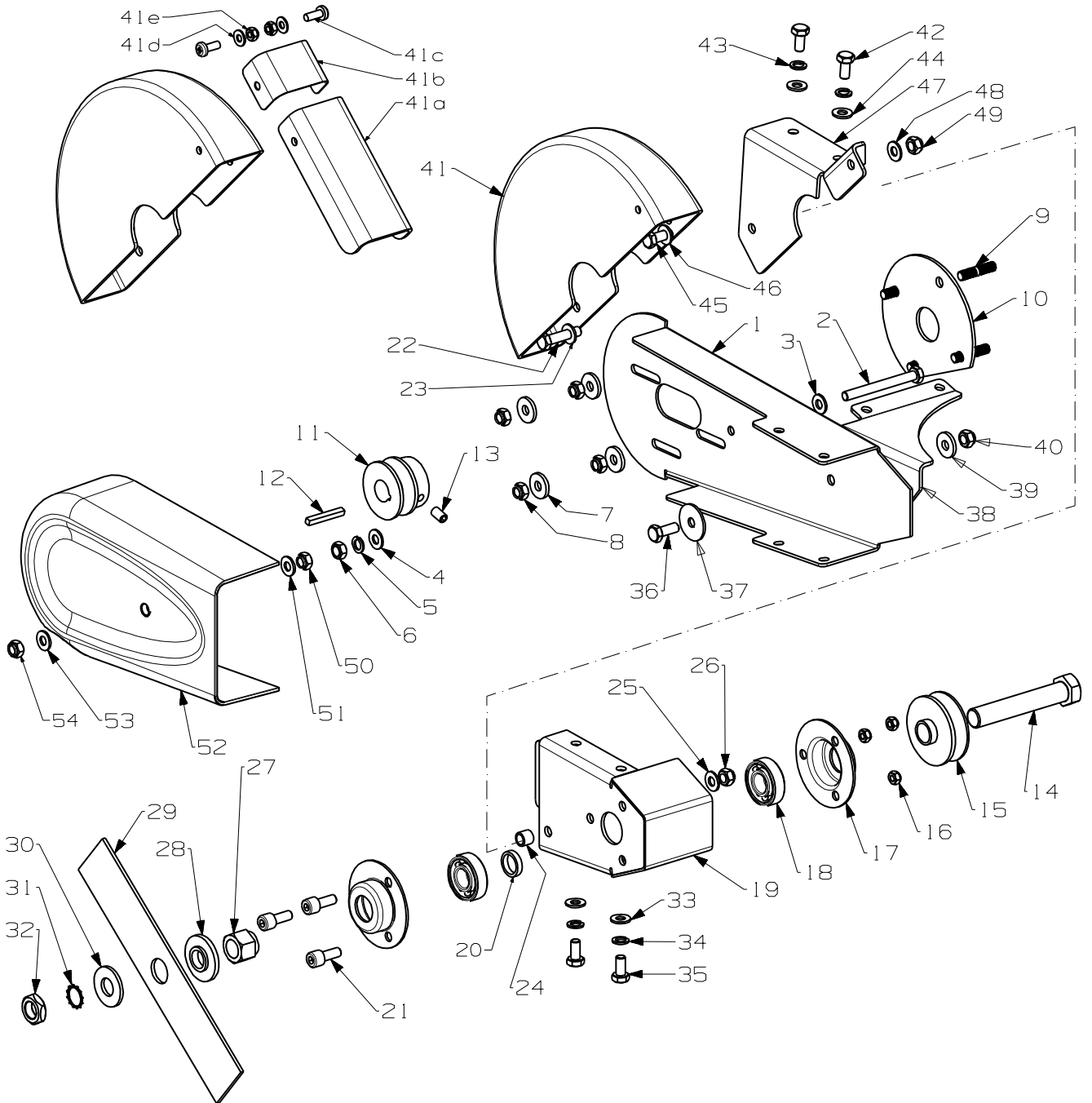




Edger

Masport

Issue E.0
Jan 2014 PB
Ref # 750913S





Edger

Masport

Issue E.0
Jan 2014 PB
Ref # 750913S

Item No	Part No	Description	Qty	Item No	Part No	Description	Qty
1	950432	Baseplate-Cutter Hd,Edger Ttnm	1	49	501793	Nut,M8 Hex Nylocx 8Thck ZP	1
2	502119	Screw,Set M 8X 75 Hex ZP	1	50	501793	Nut,M8 Hex Nylocx 8Thck ZP	1
3	501744	Washer,Flt 8 X 17 X1.6 ZP	1	51	501744	Washer,Flt 8 X 17 X1.6 ZP	1
4	501744	Washer,Flt 8 X 17 X1.6 ZP	1	52	550461	Cover-Belt, Plastic Edger	1
5	503747	Washer,Spg 8 ZP	1	53	501744	Washer,Flt 8 X 17 X1.6 ZP	1
6	501602	Nut, M 8 Hex ZP	1	54	501793	Nut,M8 Hex Nylocx 8Thck ZP	1
7	503872	Washer,Flt 8 X 20 X3.0 ZP	4	<i>Note, Loctite items 9 into the Engine</i>			
8	501793	Nut,M8 Hex Nyloc x 8mm Thick	4	Not Illustrated			
9	502133	Stud-M8 x NF 5/16 x 36 HT8.8	4	550452	Belt-V Ax26 Edger		1
10	550466	Plate-Stiffener, ZP	1	536553	Decal, Caution Guard		2
11	550449	* Pulley-Eng, 19B x 50D x 34H	1	550454	Owner Manual - Petrol Edger		1
12	536012	Key-Engine 3/16"Sq X 38 Shldr	1	550483	Decal, Noise		1
13	503970	Screw;Grb Unc 5/16 X .50	1	550464	Decal, Caution & Rotation		1
14	550441	Shaft-Cutter Edger ZP	1	550486	Decal, Arrow Blade Position		1
15	550448	* Pulley-Blade, 17B x 60D x 25H	1	581413	Decal, Handle		1
16	501793	Nut, M 8 Hex Nyloc x 8mm Thick	3	582049	Decal, Flap Caution		1
17	002834	Housing-Bearing ZP	2	550494	Decal, Height		1
18	503273	Brg,Bal 17X40X12 6203 2S SKF	2				
19	950406	Housing Assy-Cuter Hd Mnt Ttnm	1				
20	550428	Spacer-Bearing, Edger ZP	1				
21	502105	Cap Screw M 8 x 20 Allen Head	3				
22	501716	Set Screw M8 x 35	1				
23	501744	Washer,Flt 8 X 17 X1.6 ZP	1				
24	550485	Spacer-Mount,Guard	1				
25	501744	Washer,Flt 8 X 17 X1.6 ZP	1				
26	501793	Nut, M 8 Hex Nyloc x 8mm Thick	1				
27	550443	Nut-Cutter Shaft, Edger ZP	1				
28	550444	Washer-Blade, Edger ZP	1				
29	550442	Blade-Bar, 240mm Edger	1				
30	502120	Washer,Flt 16 X 35 X3.0 ZP	1				
31	502121	Washer,Ext Tooth Grip 16ld	1				
32	550460	Nut, M16 X 1.5 Hex ZP	1				
33	501744	Washer,Flt 8 X 17 X1.6 ZP	2				
34	503747	Washer,Spg 8 ZP	2				
35	502106	Screw,Set M 8X 16 Hex ZP	2				
36	501597	Screw,Set M 8X 20 Hex ZP	1				
37	572199	Washer,Flat 8x32x2.0	1				
38	950450	Bracket-Mount,Cutting	1				
39	503872	Washer,Flat 8x20x3.0	1				
40	501793	Nut, M 8 Hex Nyloc x 8mm Thick	1				
41	950493	Guard-Blade,Flap Ali Edger Black	1				
41a	550492	Flap-Rubber Deflector	1				
41b	550491	Clamp-Guard,Rubber Flap	1				
41c	503331	Screw, Pan M-6 x 16	2				
41d	501703	Washer, M6	2				
41e	501764	Nut, M6 Nylock	2				
42	501597	Screw,Set M 8X 20 Hex ZP	2				
43	503747	Washer,Spg 8 ZP	2				
44	501744	Washer,Flt 8 X 17 X1.6 ZP	2				
45	501597	Screw,Set M 8X 20 Hex ZP	1				
46	501744	Washer,Flt 8 X 17 X1.6 ZP	1				
47	950490	Bracket-Grd Mount Edger Ttnm	1				
48	501744	Washer,Flt 8 X 17 X1.6 ZP	1				

Note, Loctite items 9 into the Engine

Not Illustrated

550452	Belt-V Ax26 Edger	1
536553	Decal, Caution Guard	2
550454	Owner Manual - Petrol Edger	1
550483	Decal, Noise	1
550464	Decal, Caution & Rotation	1
550486	Decal, Arrow Blade Position	1
581413	Decal, Handle	1
582049	Decal, Flap Caution	1
550494	Decal, Height	1

***Important Spares Note**

550913 Edgers with a serial number less than 7692693

Pulleys

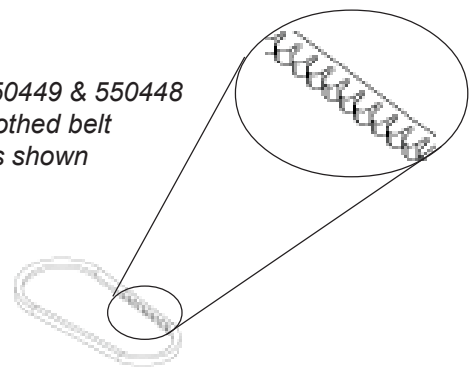
536011 (11) & 550447 (15) were replaced by 550449 (11) & 550448 (15) Refer to ECN02294

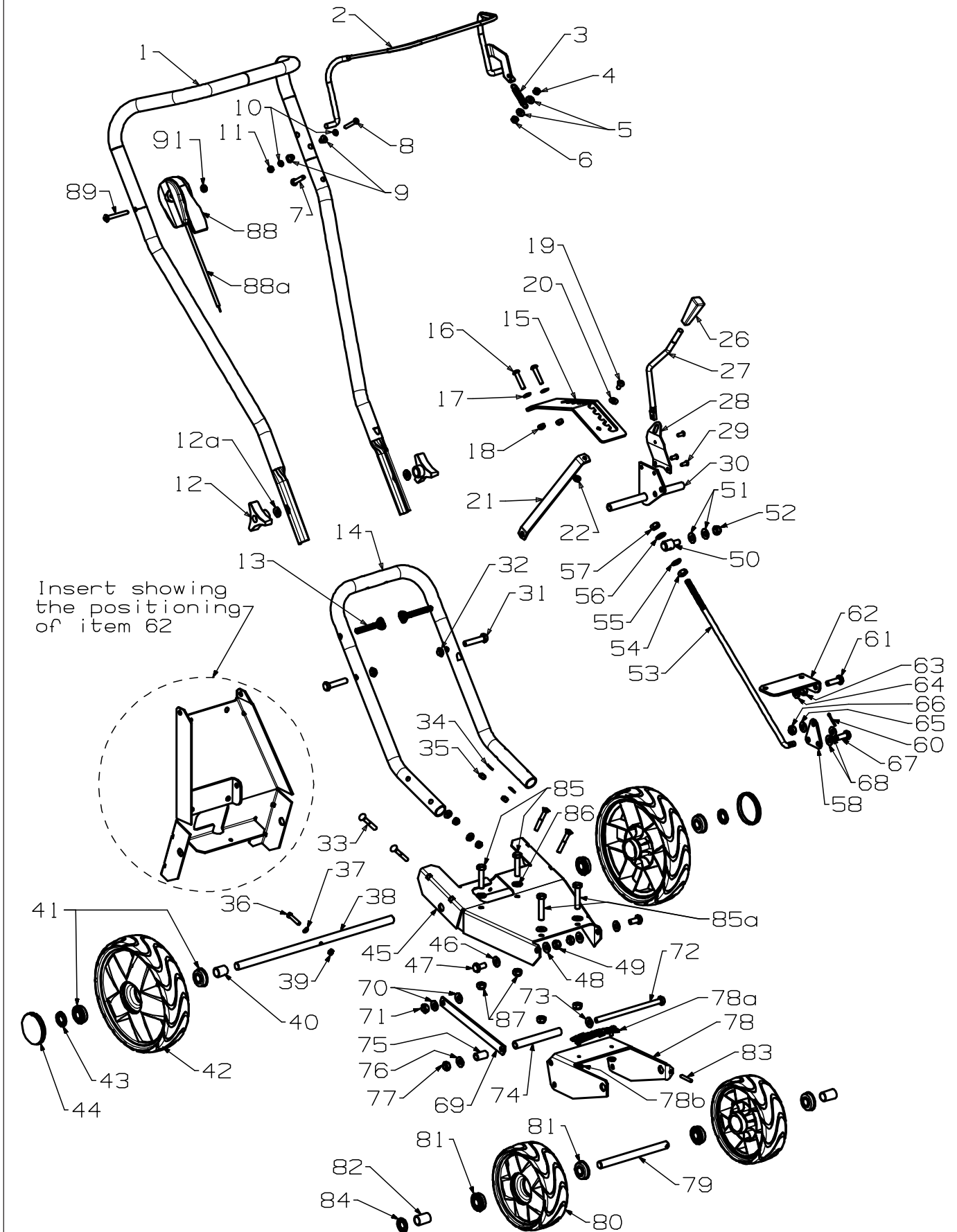
Customers with a MASPORT 550913 Edger requiring either 536011 and/or 550447 should be issued with a new set of pulleys. ie 550449 & 550448

The same belt 550452 will fit both configurations.

*** Note**

Pulleys 550449 & 550448 require toothed belt 550452 as shown







Edger

Masport

Issue E.0
Jan 2014 PB
Ref # 750913S

Item No	Part No	Description	Qty	Item No	Part No	Description	Qty
1	950437	Handle-Upper, Edger Black	1	53	550431	Link-Adjustable Hight Cntrl ZP	1
2	950434	Bail Arm Assy, OPC Edger Black	1	54	501602	Nut, M 8 Hex ZP	1
3	550453	Spring Retrtn-Bail Arm Edger ZP	1	55	501744	Washer,Flt 8 X 17 X1.6 ZP	1
4	501764	Nut, M 6 Hex Nyloc X 6Thk ZP	1	56	501744	Washer,Flt 8 X 17 X1.6 ZP	1
5	501703	Washer,Flt 6 X 14 X1.2 ZP	2	57	501602	Nut, M 8 Hex ZP	1
6	501682	Nut, M 6 Hex ZP	1	58	550424	Lever-Plate,Height Cont Lnk ZP	1
7	502150	Screw,Pan M 6X 35 ZP	1	60	501056	Pin,Cotter 2.3Dx 16 ZP	1
8	503117	Screw,Pan M 5X 32 ZP	1	61	501598	Screw,Set M 8X 25 Hex ZP	1
9	550440	Bush-Insulator Nylon	2	62	950425	Bracket-Lever Plate Mount Ttnm	1
10	501330	Washer,Flt 5 X 10 X1.0 ZP	2	63	501602	Nut, M 8 Hex ZP	1
11	503511	Nut, M 5 Hex Nyloc ZP	1	64	501744	Washer,Flt 8 X 17 X1.6 ZP	1
12	574230	Knob-Plastic,M8 Insert	2	65	501744	Washer,Flt 8 X 17 X1.6 ZP	1
12a	501744	Washer,Flt 8 X 17 X1.6 ZP	2	66	501793	Nut,M8 Hex Nylocx 8Thck ZP	1
13	574218	Bolt ,Sph M 8X 53X35 Thrdd ZP	2	67	501597	Screw,Set M 8X 20 Hex ZP	1
14	950438	Handle-Lower, Edger Blk	1	68	501744	Washer,Flt 8 X 17 X1.6 ZP	2
15	550429	Quadrant-Hght Slect, Edger ZP	1	69	550423	Link-Fixed, Height Control ZP	1
16	502150	Screw,Pan M 6X 35 ZP	2	70	501744	Washer,Flt 8 X 17 X1.6 ZP	2
17	501703	Washer,Flt 6 X 14 X1.2 ZP	2	71	501793	Nut,M8 Hex Nylocx 8Thck ZP	1
18	501764	Nut, M 6 Hex Nyloc X 6Thk ZP	2	72	502114	Screw,Set M 8X140 Hex ZP	1
19	503331	Screw,Pan M 6X 16 ZP	1	73	501744	Washer,Flt 8 X 17 X1.6 ZP	1
20	501703	Washer,Flt 6 X 14 X1.2 ZP	1	74	550422	Spacer-Long, Wheel Bracket ZP	1
21	550430	Brace-Height Control, Edger ZP	1	75	550421	Spacer-Short, Wheel Bracket ZP	1
22	501764	Nut, M 6 Hex Nyloc X 6Thk ZP	1	76	501744	Washer,Flt 8 X 17 X1.6 ZP	1
26	580056	Grip-Height Lever 7.9Dia Sq Blk	1	77	501793	Nut,M8 Hex Nylocx 8Thck ZP	1
27	980733	Rod- Height Selector	1	78	950416	Bracket-Frnt Wheels,Edger Ttnm	1
28	580649	Spring- Leaf	1	78a	567406	MASPORT-Nameplate	1
29	503373	Rivet- Flat Head 3/16"x27/64"	3	78b	503150	Clip- Starlock 5mm	2
30	750409	Height Lever Assembly (Includes items 26,27,28,29,)	1	79	550417	Axle-Front Wheels, Edger ZP	1
31	501843	Screw,Set M 8X 40 Hex ZP	2	80	579199	Wheel Assy-150mm Spoked Blk	2
32	503831	Nut, M 8 Hex Nyloc X 6Thk ZP	2	81	551212	Bearing-Wheel,(2xIncluded)	4
33	502113	Bolt ,Car M 6X 35 ZP	4	82	550420	Spacer-Front Wheels, Edger ZP	2
34	501703	Washer,Flt 6 X 14 X1.2 ZP	4	83	502171	Pin,Tension 5.4X 25 ZP	1
35	501764	Nut, M 6 Hex Nyloc X 6Thk ZP	4	84	503236	Clip-Starlock,1/2"	1
36	501061	Screw,Set M 5X 25 Hex ZP	1	85	501716	Screw,Set M8x 35(Engine Mount)	2
37	501330	Washer,Flt 5 X 10 X1.0 ZP	1	85a	501843	Screw,Set M8x 40(Engine Mount)	2
38	550418	Axle-Rear Wheels, Edger ZP	1	86	501744	Washer,Flt M-8 (Engine Mount)	4
39	503511	Nut, M 5 Hex Nyloc ZP	1	87	501793	Nut,M8 Hex Nyloc (Engine Mnt)	4
40	550426	Spacer-Rear Axle, Edger ZP	1	88	583458	Control- Throttle, Wescon	1
41	551212	Bearing-Wheel,Ball Type	4	88a	579313	Cable- Throttle, Inner & Outer	1
42	579201	Wheel Assy-200mm Spoked Blk (Includes - 2 x 551212Bearing)	2	89	503604	Screw, Pan, M6 x 45	1
43	503236	Clip-Starlock,1/2"	2	91	501764	Nut, M6 Hex Nyloc	1
44	579202	Hub Cap-Button Spoked Black	2			Not Illustrated	
45	950412	Chassis Assy,Eng Mnt Edgr Ttnm	1	550439		Wire-Engine, Cut Out	1
46	501744	Washer,Flt 8 X 17 X1.6 ZP	2	550467		Wire-Engine, C/O,Earth Short	1
47	501597	Screw,Set M 8X 20 Hex ZP	2	550468		Wire-Engine, C/O, Earth Long	1
48	501744	Washer,Flt 8 X 17 X1.6 ZP	2			Note	
49	501793	Nut,M8 Hex Nylocx 8Thck ZP	2			Wire 550439 is routed inside both Handles	
50	550427	Toggle-Link, Height Adjster ZP	1			Wire 550468 is routed inside both Handles	
51	501744	Washer,Flt 8 X 17 X1.6 ZP	2			550467 Connects to 550468 & to the	
52	501793	Nut,M8 Hex Nylocx 8Thck ZP	1			Engine Mounting Bolt	



Edger

Masport

Issue E.0
Jan 2014 PB
Ref # 750913S

