

# Masport<sup>®</sup>

## Outdoor Power Equipment

### EDGER

Part Number

450919

550919

Model

Edger- Petrol

Edger- Petrol

Engine: 502364

Loncin LC148F-2 80cc

Loncin LC148F-2 80cc

Year of First Manufacture - Nov 2019

Starting Serial Number 8397870



Issue A.0  
ECN 04094  
Dec 2019 PB  
REF #750919S

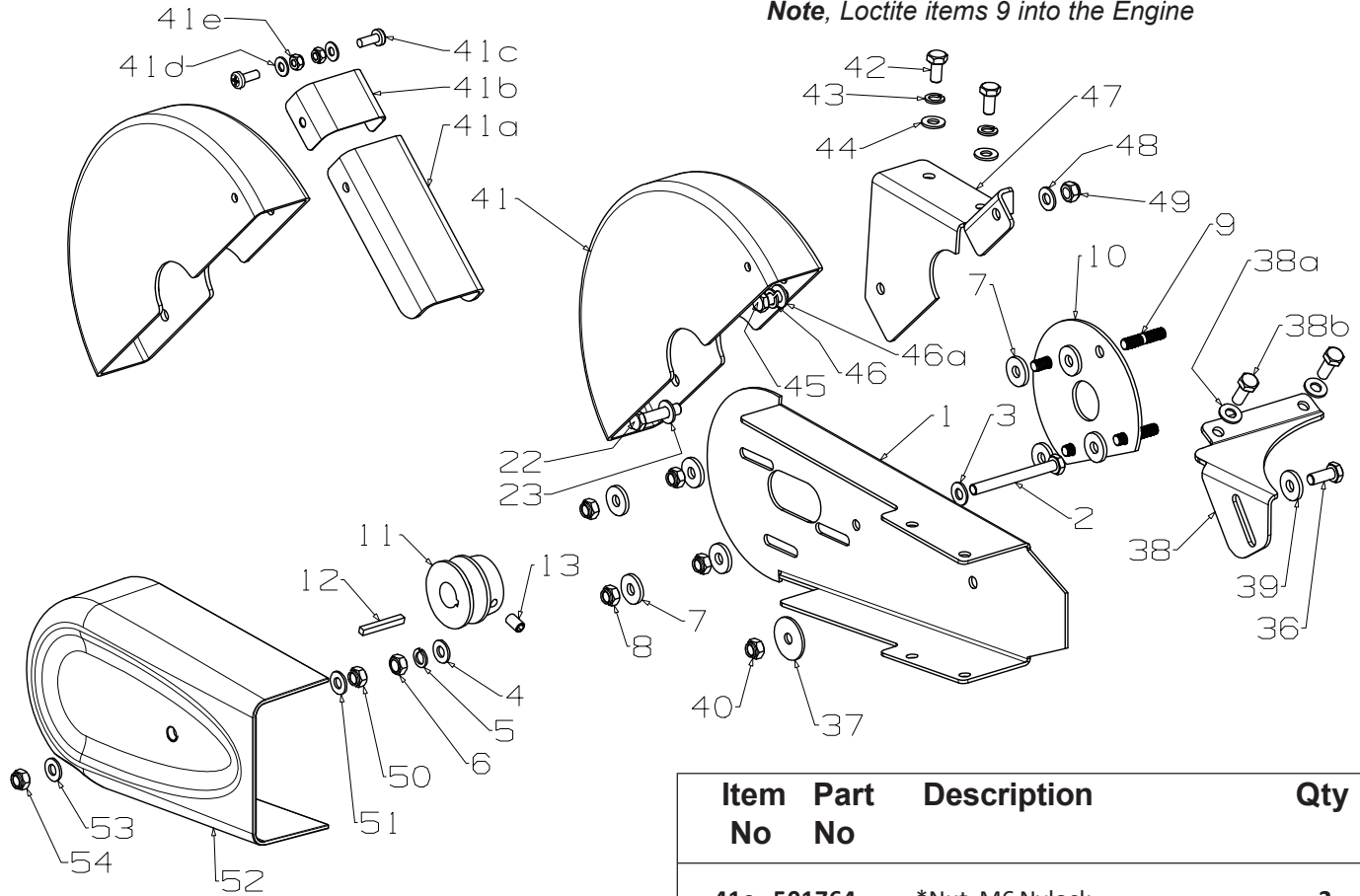


Edger-Petrol, 80cc

# Masport

Issue A.0  
ECN 04094  
Dec 2019 PB  
REF #750919S

Note, Loctite items 9 into the Engine

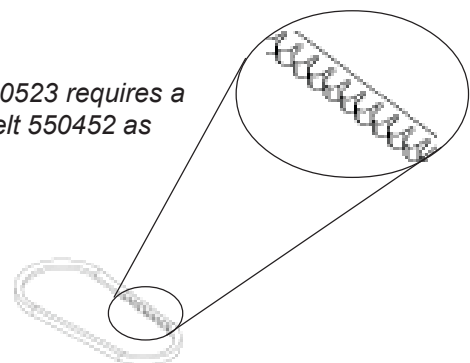


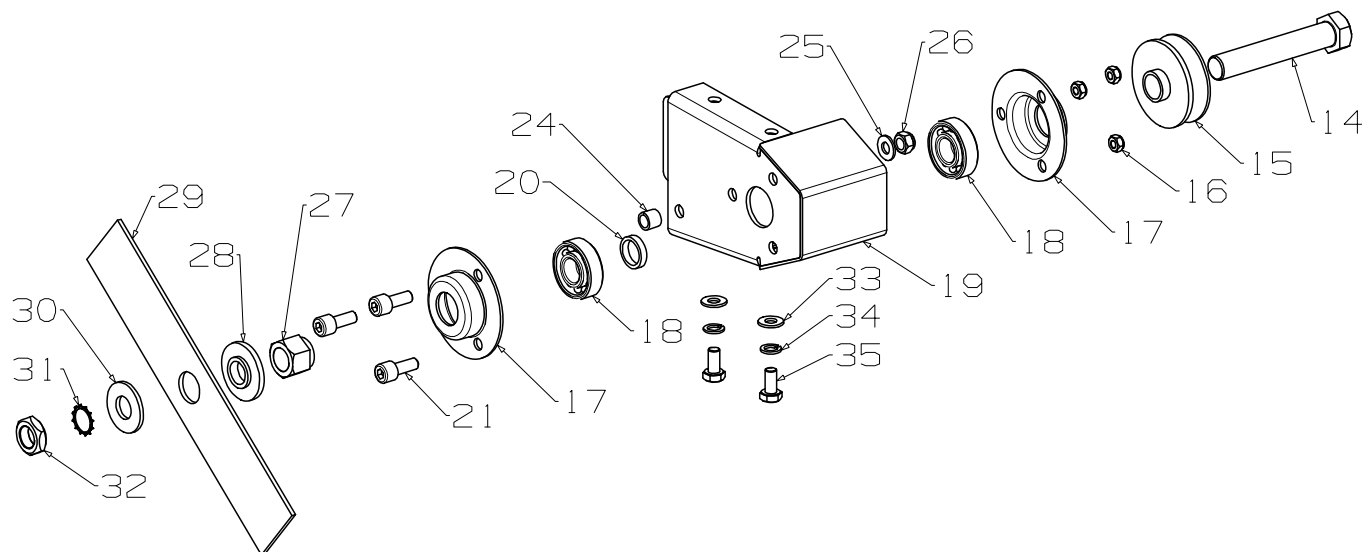
Item No	Part No	Description	Qty
1	950432	Baseplate-Cutter Hd,Edger Ttnm	1
2	502119	Screw,Set M 8X 75 Hex ZP	1
3	501744	Washer,Flt 8 X 17 X1.6 ZP	1
4	501744	Washer,Flt 8 X 17 X1.6 ZP	1
5	503747	Washer,Spg 8 ZP	1
6	501602	Nut, M 8 Hex ZP	1
7	503872	Washer,Flt 8 X 20 X3.0 ZP	8
8	501793	Nut,M8 Hex Nyloc x 8mm thick	4
9	502293	Stud-M8 x 42 HT 8.8	4
10	550466	Plate-Stiffener, ZP	1
11	550527	(1) Pulley- Motor Shaft, 5mm	1
12	502363	Key- Square 5 x 5 x 35	1
13	503970	Screw;Grb Unc 5/16 X .50	1
22	501716	Set Screw M8 x 35	1
23	501744	Washer,Flt 8 X 17 X1.6 ZP	1
36	501597	Screw,Set M 8X 20 Hex ZP	1
37	572199	Washer,Flat 8x32x2.0	1
38	950524	Bracket-Mount,Cutting TTNM	1
38a	501597	Screw,Set M 8X 20 Hex ZP	2
38b	501744	Washer,Flt 8 X 17 X1.6 ZP	2
39	503872	Washer,Flat 8x20x3.0	1
40	501793	Nut,M8 Hex Nyloc x 8mm thick	1
41	750493	Guard-Blade,Flap Ali Edger Black	1
41a	550492	*Flap-Rubber Deflector	1
41b	550491	*Clamp-Guard,Rubber Flap	1
41c	503331	*Screw, Pan M-6 x 16	2
41d	501703	*Washer, M6	2

Item No	Part No	Description	Qty
41e	501764	*Nut, M6 Nylock	2
42	501597	Screw,Set M 8X 20 Hex ZP	2
43	503747	Washer,Spg 8 ZP	2
44	501744	Washer,Flt 8 X 17 X1.6 ZP	2
45	501597	Screw,Set M 8X 20 Hex ZP	1
46	503747	Washer,Spg 8 ZP	1
46a	501744	Washer,Flt 8 X 17 X1.6 ZP	1
47	950490	Bracket-Grd Mount Edger Ttnm	1
48	501744	Washer,Flt 8 X 17 X1.6 ZP	1
49	501793	Nut,M8 Hex Nyloc x 8mm thick	1
50	501793	Nut,M8 Hex Nyloc x 8mm thick	1
51	501744	Washer,Flt 8 X 17 X1.6 ZP	1
52	550461	Cover-Belt, Plastic Edger	1
53	501744	Washer,Flt 8 X 17 X1.6 ZP	1
54	501793	Nut,M8 Hex Nyloc x 8mm thick	1

**(1) Note**

Pulley 550523 requires a toothed belt 550452 as shown





Item No	Part No	Description	Qty	Not Illustrated	
14	550441	Shaft-Cutter Edger ZP	1	<b>550452</b>	Belt-V Ax26 Edger 1
15	550448	Pulley-Blade, 17B x 60D x 25H	1	<b>536553</b>	Decal, Caution Guard 2
16	501793	Nut,M8 Hex Nyloc x 8mm thick	3	<b>550454</b>	Owner Manual - Petrol Edger 1
17	002834	Housing-Bearing ZP	2	<b>550464</b>	Decal, Caution & Rotation 1
18	503273	Brg,Bal 17X40X12 6203 2S SKF	2	<b>550486</b>	Decal, Arrow Blade Position 1
19	950406	Housing Assy-Cuter Hd Mnt Ttnm	1	<b>550494</b>	Decal, Height 1
20	550428	Spacer-Bearing, Edger ZP	1	<b>581413</b>	Decal, Handle 1
21	502105	Cap Screw M 8 x 20 Allen Head	3	<b>582049</b>	Decal, Flap Caution 1
24	550485	Spacer-Mount,Guard	1		
25	501744	Washer,Flt 8 X 17 X1.6 ZP	1		
26	501793	Nut,M8 Hex Nyloc x 8mm thick	1		
27	550443	Nut-Cutter Shaft, Edger ZP	1		
28	550444	Washer-Blade, Edger ZP	1		
29	550442	Blade-Bar, 240mm Edger	1		
30	502120	Washer,Flt 16 X 35 X3.0 ZP	1		
31	502121	Washer,Ext Tooth Grip 16ld	1		
32	550460	Nut, M16 X 1.5 Hex ZP	1		
33	501744	Washer,Flt 8 X 17 X1.6 ZP	2		
34	503747	Washer,Spg 8 ZP	2		
35	502106	Screw,Set M 8X 16 Hex ZP	2		

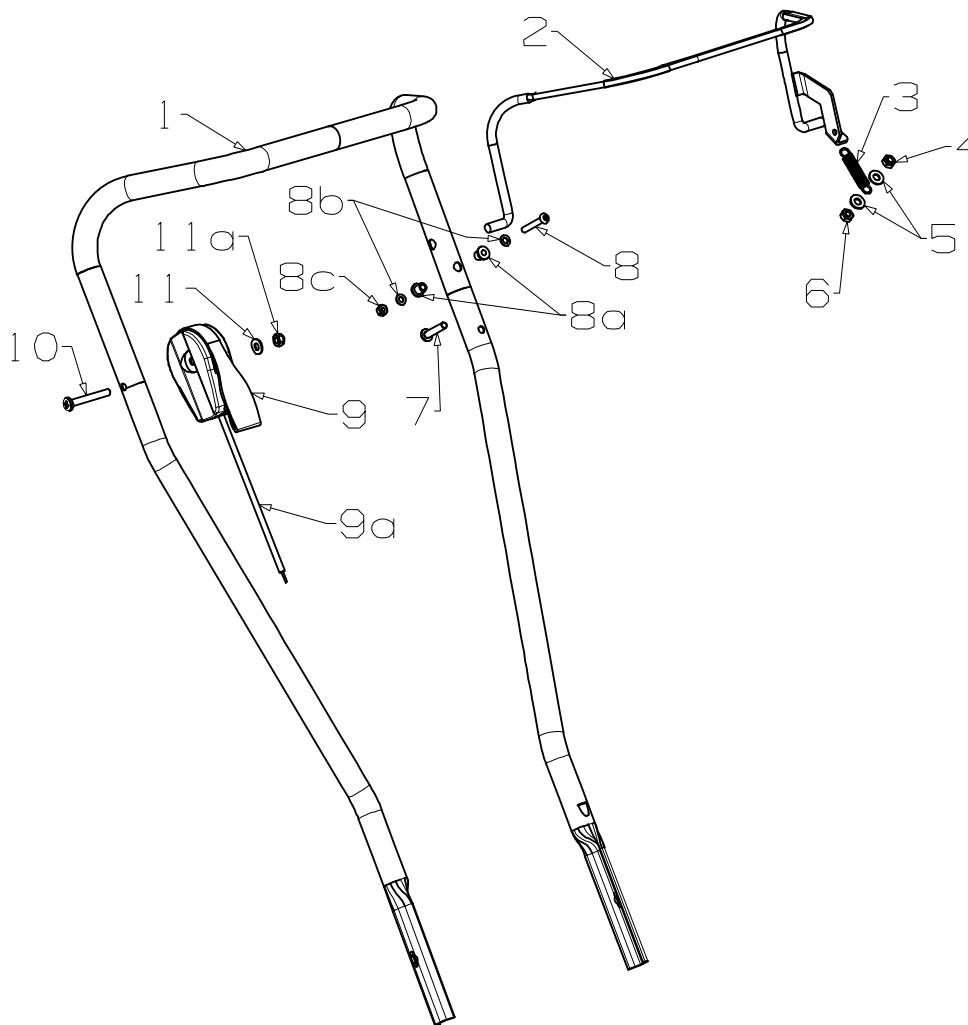
When ordering PLEASE QUOTE PART NUMBER & Description, NOT Illustration No.  
Determine right or left hand side from standing in operating position (standing at handle).



Edger-Petrol, 80cc

# Masport

Issue A.0  
ECN 04094  
Dec 2019 PB  
REF #750919S



Item No	Part No	Description	Qty	Not Illustrated
1	950437	Handle-Upper, Edger Black	1	
2	950434	Bail Arm Assy, OPC Edger Black	1	
3	550453	Spring Retrtn-Bail Arm Edger ZP	1	
4	501764	Nut, M 6 Hex Nyloc X 6Thk ZP	1	
5	501703	Washer,Flt 6 X 14 X1.2 ZP	2	
6	501682	Nut, M 6 Hex ZP	1	
7	502150	Screw,Pan M 6X 35 ZP	1	
8	503117	Screw,Pan M 5X 32 ZP	1	
8a	550440	Bush-Insulator Nylon	2	
8b	501330	Washer,Flt 5 X 10 X1.0 ZP	2	
8c	503511	Nut, M 5 Hex Nyloc ZP	1	
9/9a	583458	<b>Throttle Ctrl &amp; Cable, Wescon</b>	1	
		(Also available: Lever 574398, Body 574430)		
10	503604	*Screw, Pan, M6 x 45	1	
11	501703	*Washer,Flt 6 x 14 x1.2 ZP	1	
11a	501764	Nut, M6 Hex Nyloc	1	
				<b>Note</b>
				Wire 550439 is routed inside both Handles
				Wire 550468 is routed inside both Handles
				550467 Connects to 550468 & to the Engine Mounting Bolt
				550439 Wire-Engine, Cut Out 1
				550467 Wire-Engine, C/O,Earth Short 1
				550468 Wire-Engine, C/O, Earth Long 1
				550528 Wire-Engine, C/O, Earth Loncin 1
				502364 Engine, Loncin LC148F-2 80cc 1

When ordering PLEASE QUOTE PART NUMBER & Description, NOT Illustration No.  
Determine right or left hand side from standing in operating position (standing at handle).

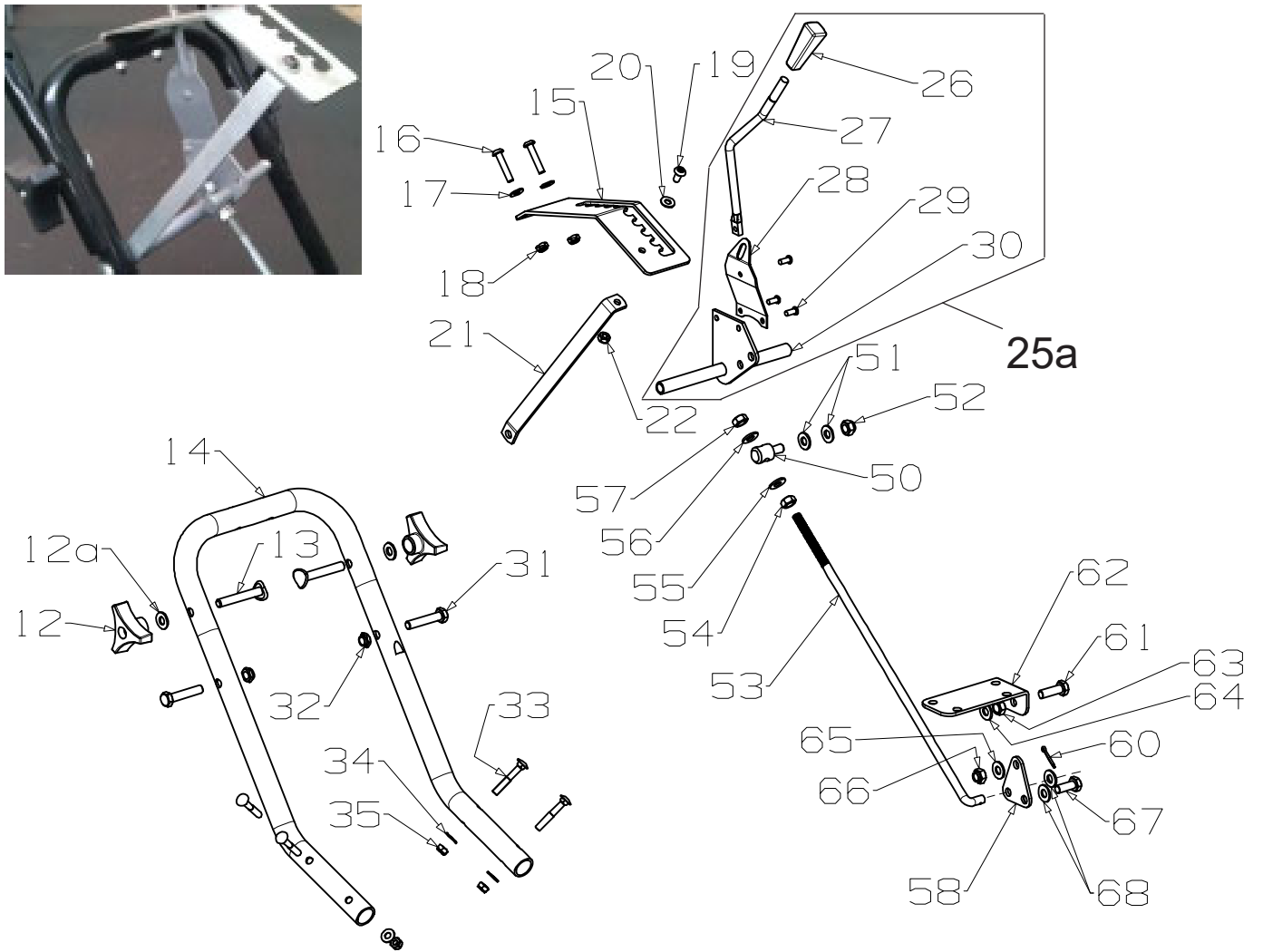
**Bold Text** = Assemblies, Bulleted Text \* = Items included in the Assemblies & may not be available as a spares item.



Edger-Petrol, 80cc

# Masport

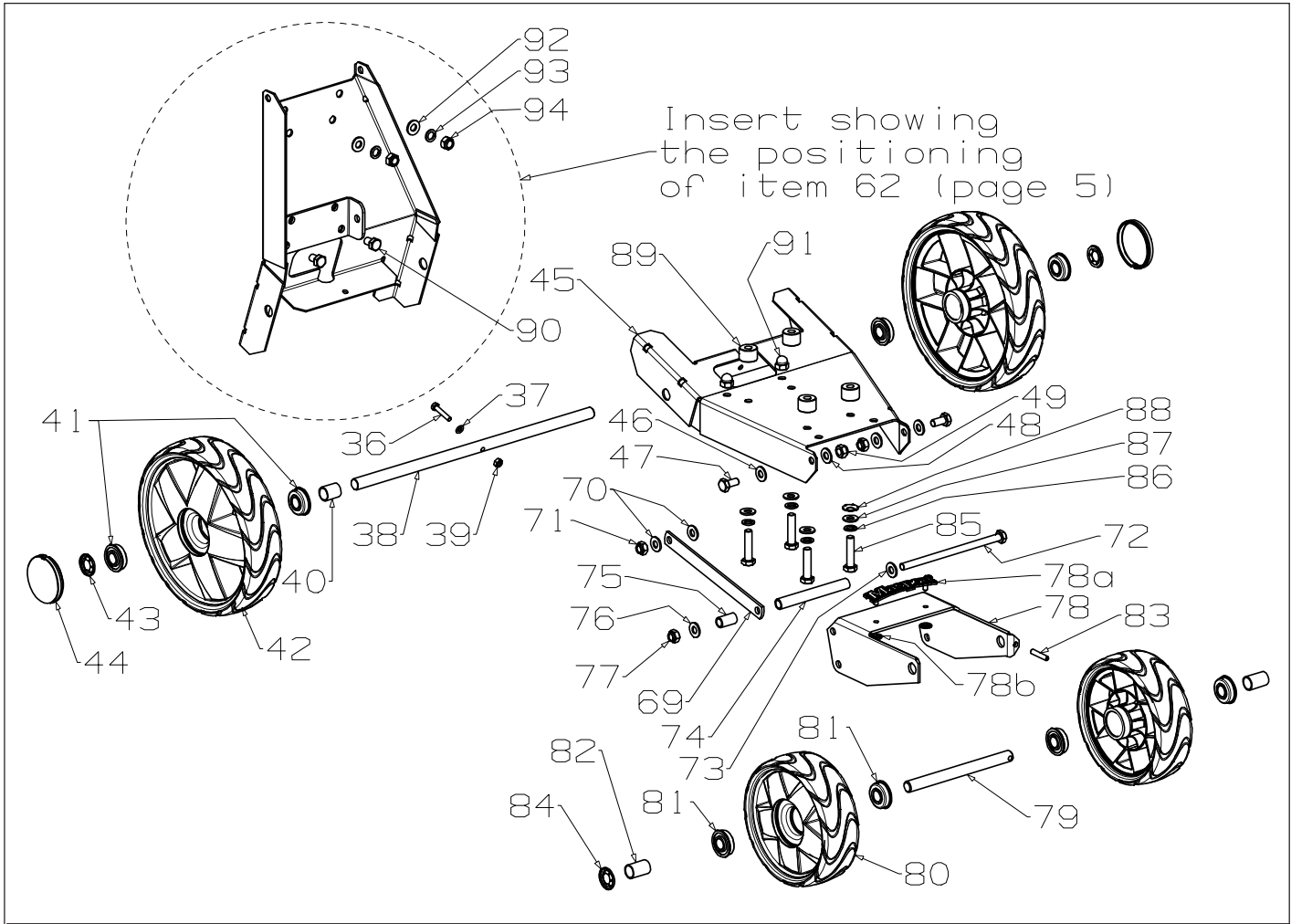
Issue A.0  
ECN 04094  
Dec 2019 PB  
REF #750919S



Item No	Part No	Description	Qty	Item No	Part No	Description	Qty
12/13	774230	<b>Knob Lock Assembly (2 per)</b> ( Includes items 12 & 13 )	1	33	502113	Bolt ,Car M 6X 35 ZP	4
12	574230	Knob-Plastic,M8Insert	2	34	501703	Washer,Flt 6 X 14 X1.2 ZP	4
12a	501744	Washer,Flt 8 X 17 X1.6 ZP	2	35	501764	Nut, M 6 Hex Nyloc X 6Thk ZP	4
13	574218	Bolt ,Sph M 8X 53X35 Thrdd ZP	2	50	550427	Toggle-Link, Height Adjster ZP	1
14	950438	Handle-Lower, Edger Blk	1	51	501744	Washer,Flt 8 X 17 X1.6 ZP	2
15	550429	Quadrant-Hght Slect, Edger ZP	1	52	501793	Nut,M8 Hex Nyloc x 8mm thick	1
16	502150	Screw,Pan M 6X 35 ZP	2	53	550431	Link-Adjustable Hight Cntrl ZP	1
17	501703	Washer,Flt 6 X 14 X1.2 ZP	2	54	501602	Nut, M 8 Hex ZP	1
18	501764	Nut, M 6 Hex Nyloc X 6Thk ZP	2	55	501744	Washer,Flt 8 X 17 X1.6 ZP	1
19	503331	Screw,Pan M 6X 16 ZP	1	56	501744	Washer,Flt 8 X 17 X1.6 ZP	1
20	501703	Washer,Flt 6 X 14 X1.2 ZP	1	57	501602	Nut, M 8 Hex ZP	1
21	550430	Brace-Height Control, Edger ZP	1	58	550521	Lever-Plate,Height Con Link ZP	1
22	501764	Nut, M 6 Hex Nyloc X 6Thk ZP	1	60	501056	Pin,Cotter 2.3Dx 16 ZP	1
25a	750409	<b>Height Lever Assembly Edger</b>	1	61	501598	Screw,Set M 8X 25 Hex ZP	1
26	580056	*Grip-Height Lever 7.9Dia Sq Blk	1	62	950522	Bracket-Lever Plate Mount Ttnm	1
27	980733	*Rod- Height Selector	1	63	501602	Nut, M 8 Hex ZP	1
28	580649	*Spring- Leaf	1	64	501744	Washer,Flt 8 X 17 X1.6 ZP	1
29	503373	*Rivet- Flat Head 3/16"x27/64"	3	65	501744	Washer,Flt 8 X 17 X1.6 ZP	1
30	550409	*Pivot Assy-Brkt Ht Lvr ZP	1	66	501793	Nut,M8 Hex Nyloc x 8mm thick	1
31	501843	Screw,Set M 8X 40 Hex ZP	2	67	501597	Screw,Set M 8X 20 Hex ZP	1
32	503831	Nut, M 8 Hex Nyloc X 6Thk ZP	2	68	501744	Washer,Flt 8 X 17 X1.6 ZP	2

When ordering PLEASE QUOTE PART NUMBER & Description, NOT Illustration No.  
Determine right or left hand side from standing in operating position (standing at handle).

**Bold Text** = Assemblies, Bulleted Text \* = Items included in the Assemblies & may not be available as a spares item.



Item No	Part No	Description	Qty	Item No	Part No	Description	Qty
36	501061	Screw,Set M 5X 25 Hex ZP	1	78	950416	Bracket-Frnt Wheels,Edger Ttnm	1
37	501330	Washer,Flt 5 X 10 X1.0 ZP	1	78a	567406	MASPORT-Nameplate	1
38	550418	Axle-Rear Wheels, Edger ZP	1	78b	503150	Clip- Starlock 5mm	2
39	503511	Nut, M 5 Hex Nyloc ZP	1	79	550417	Axle-Front Wheels, Edger ZP	1
40	550426	Spacer-Rear Axle, Edger ZP	1	80	579199	Wheel Assy-150mm Spoked Blk	2
41	551212	Bearing-Wheel,Ball Type	4	81	551212	Bearing-Wheel,Ball Type	4
42	579201	Wheel Assy-200mm Spoked Blk	2	82	550420	Spacer-Front Wheels, Edger ZP	2
43	503236	Clip-Starlock,1/2"	2	83	502171	Pin,Tension 5.4X 25 ZP	1
44	579202	Hub Cap-Button Spoked Black	2	84	503236	Clip-Starlock,1/2"	1
45	950412	Chassis Assy,Eng Mnt Edgr Ttnm	1	85	501716	Screw,Set M8x 35(Engine Mount)	4
46	501744	Washer,Flt 8 X 17 X1.6 ZP	2	86	503747	Washer, Spg 8 (Engine Mount)	4
47	501597	Screw,Set M 8X 20 Hex ZP	2	87	501744	Washer,Flt M-8 (Engine Mount)	4
48	501744	Washer,Flt 8 X 17 X1.6 ZP	2	88	502270	Washer, Grounding 9 x 22 x 1.2	1
49	501793	Nut,M8 Hex Nyloc x 8mm thick	2	89	573875	Spacer- Pulley, 8.5 x 19 x 14	4
69	550423	Link-Fixed, Height Control ZP	1	90	501863	Screw, Set M8 x 12	2
70	501744	Washer,Flt 8 X 17 X1.6 ZP	2	91	503526	Nut, M8 Hex Dome	2
71	501793	Nut,M8 Hex Nyloc x 8mm thick	1	92	501744	Washer,Flat 8 X 17 X1.6 ZP	2
72	502114	Screw,Set M 8X140 Hex ZP	1	93	503747	Washer, Spg 8	2
73	501744	Washer,Flt 8 X 17 X1.6 ZP	1	94	501793	Nut,M8 Hex Nyloc x 8mm thick	2
74	550422	Spacer-Long, Wheel Bracket ZP	1				
75	550421	Spacer-Short, Wheel Bracket ZP	1				
76	501744	Washer,Flat 8 X 17 X1.6 ZP	1				
77	501793	Nut,M8 Hex Nyloc x 8mm thick	1				

When ordering PLEASE QUOTE PART NUMBER & Description, NOT Illustration No.

Determine right or left hand side from standing in operating position (standing at handle).

**Bold Text** = Assemblies, **Bulleted Text** \* = Items included in the Assemblies & may not be available as a spares item.