

Masport®

LOG SPLITTER

7 TON LOG SPLITTER

Part Number 552608 7 Ton Log Splitter

Introduced Oct 2008



Serial Number Location

Example 11 02 1022TP1690 0005

Issue D.10
ECN 12322
Oct 2017 PB
REF # 752608

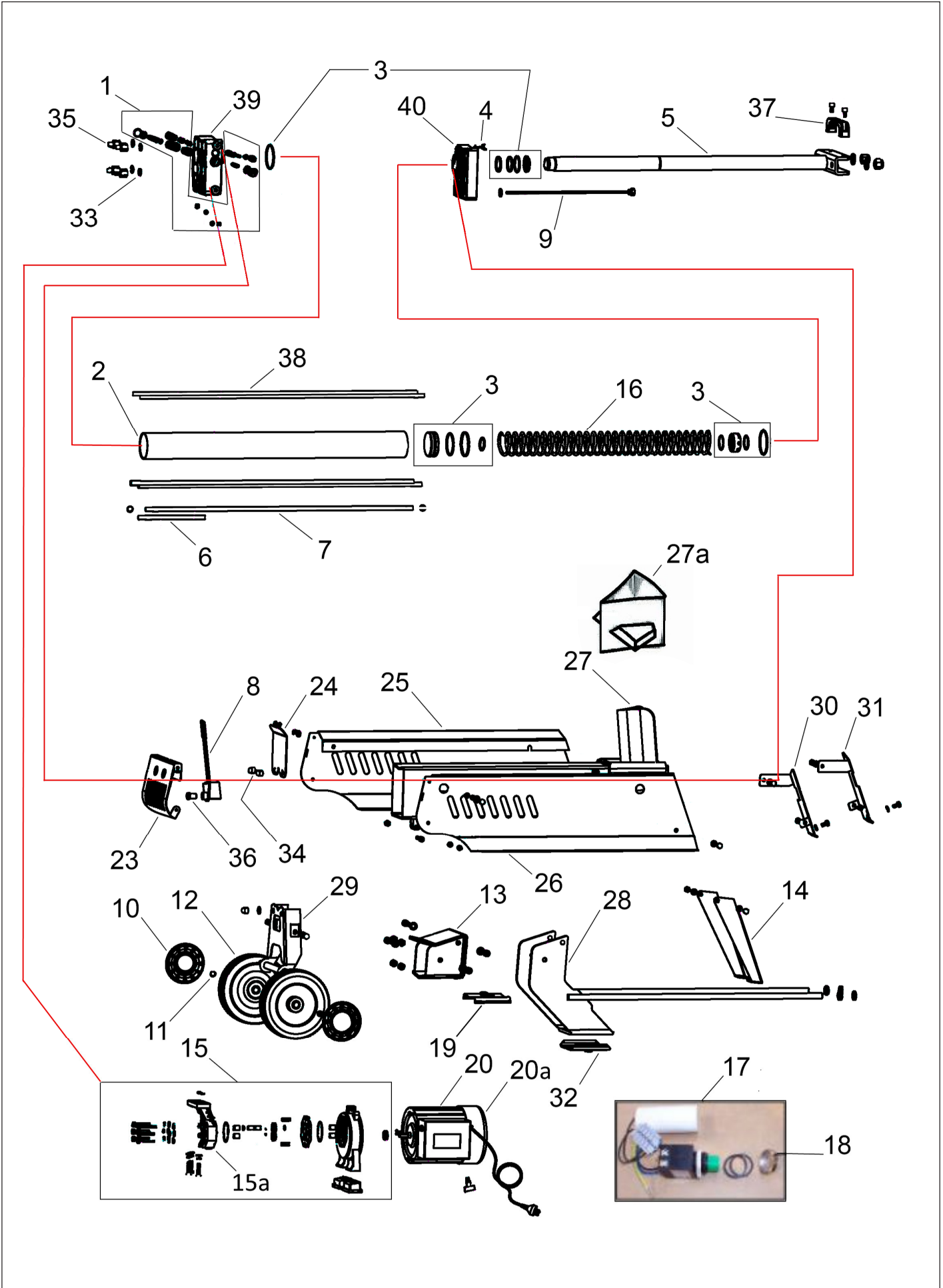


Contents

Page 3	Exploded View
Page 4	Parts Listing
Page 4	Wiring Schematic
Page 4	Plumbing Schematic
Page 5	Cylinder Cover Kit
Page 6	Pump Assembly



7 TON LOG SPLITTER

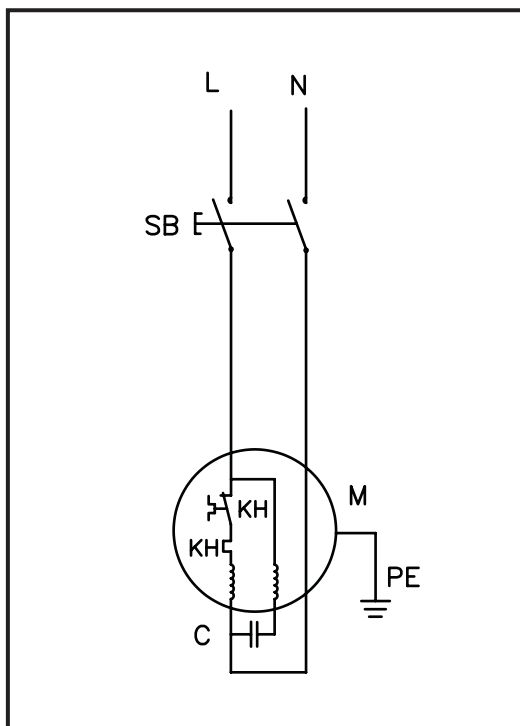




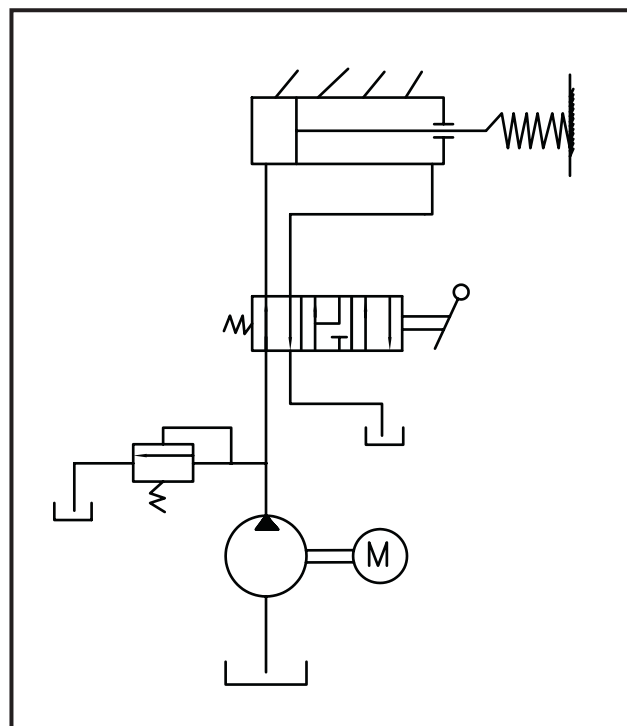
7 TON LOG SPLITTER

Item No	Part No	Description	Qty	Item No	Part No	Description	Qty
1	555902	Cylinder Cover Kit	1	25	541070	Cover- Body, RH	1
2	555903	Cylinder	1	26	541071	Cover- Body, LH	1
3	555904	Seals Kit- Piston Rod	1	27	541082	Frame- Body	1
4	555905	Bleed Screw & O Ring	1	27a	554236	Blade- Cross Cut	1
5	555906	Rod- Piston Assy	1	28	541078	Frame- Weld	1
6	555907	Hose- Intake	1	29	541075	Bracket- Wheel	1
7	555908	Hose- Connection	1	30	541072	Guard-Cover, RH	1
8	555909	Lever Assembly-Control	1	31	541073	Guard-Cover, LH	1
9	555910	Dipstick	1	32	541074	Insert- Lower, Plastic	1
10	555911	Cover- Wheel	2	33	542681	Washer, Fit 12.5x22x4.0	4
11	555912	Ring- Snap, Wheel	2	34	542682	Nut, M10 Hex/Dome	3
12	555913	Wheel	2	35	542683	Nut, M12 Hex Adapter	4
13	555914	Pusher- Log	1	36	542684	Nut, M10 Hex Lever	1
14	555915	Leg- Support	1	37	542685	Handle-Front	1
15	555916	Pump Assy	1	38	542686	Stud, M12 x 855mm	4
15a	549631	*Manifold, Hydraulic	1	39	541079	Cylinder- Cover, Rear	1
16	555917	Spring- Piston Rod	1	40	541080	Cylinder- Cover, Front	1
17	555882	Switch Complete	1				
18	555921	Ring-Nut (Only) Plastic	1				
19	555922	Slide, Plastic	1				
20	555924	Motor Assy	1				
20a	541081	*Cowling, Motor	1				
23	541077	Guard- Cylinder	1				
24	541076	Separating Plate	1				
				NOT ILLUSTRATED			
				541065		Fan- Motor	1
				542490		Travel Restrictor- Ram	1
				542807		O-Ring Pack (Refer page 6)	1
				555897		Owners Manual	1

WIRING DIAGRAM

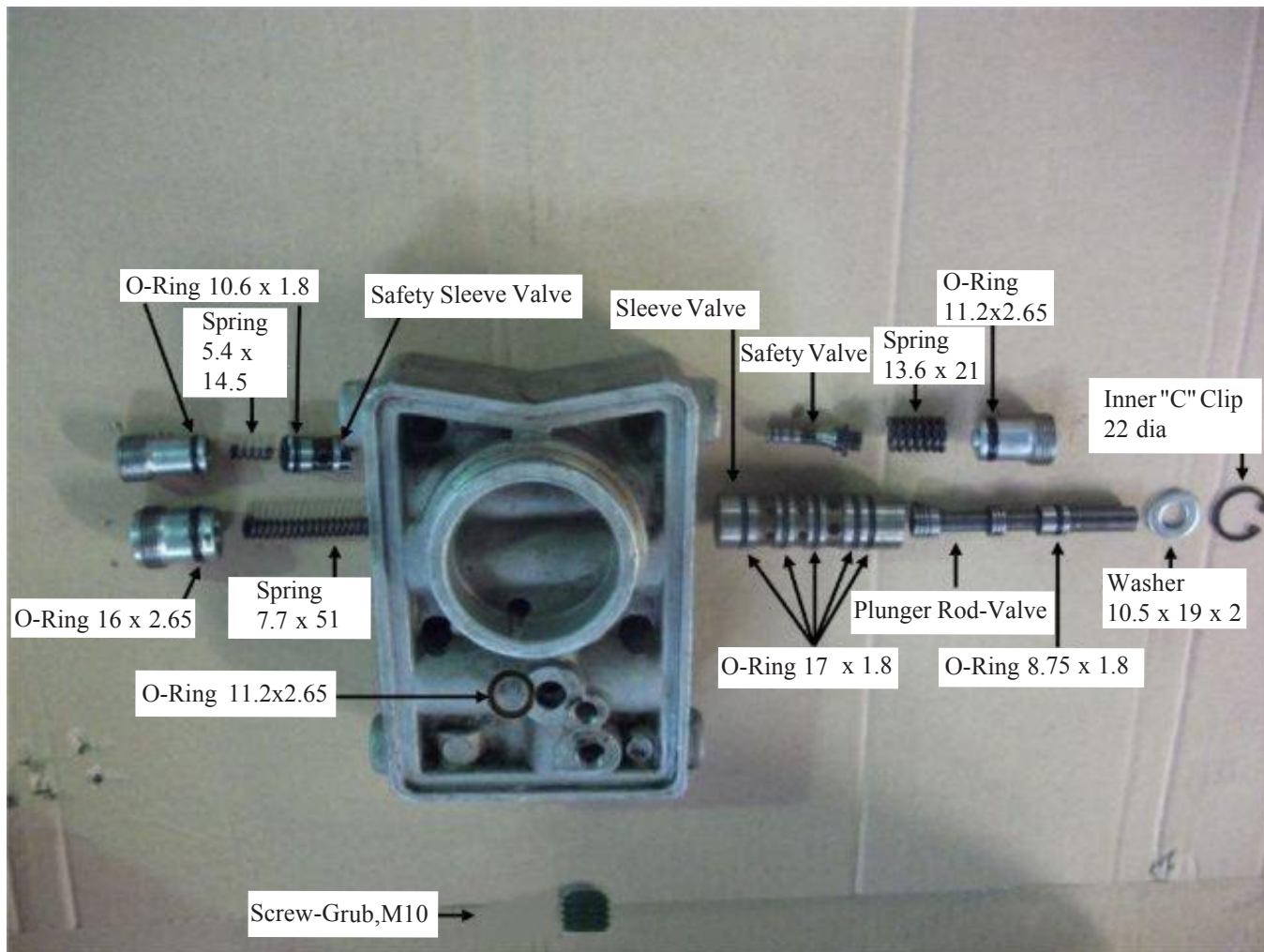


PLUMBING DIAGRAM





7 TON LOG SPLITTER



555902 Cylinder Cover Kit

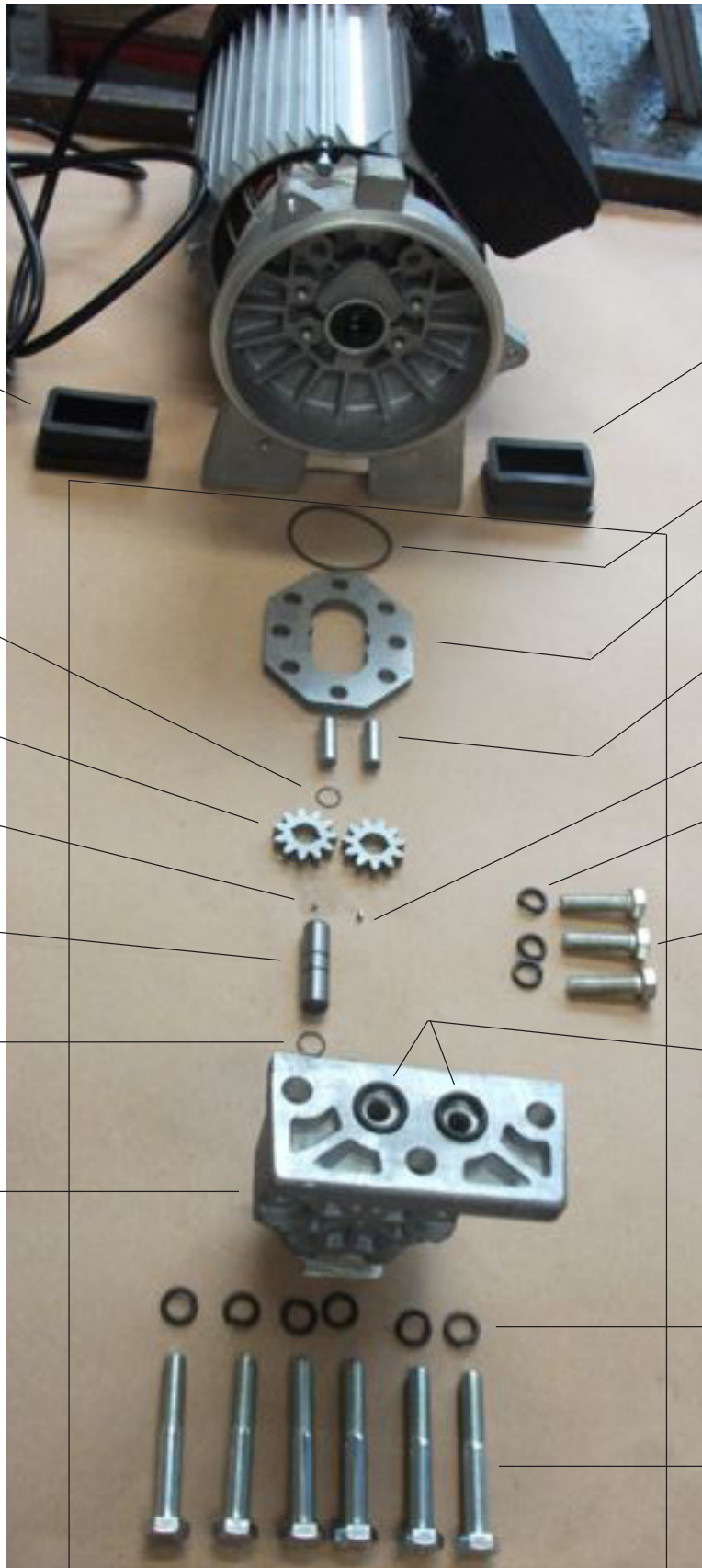
(Does not include the casting)

Note 1, Prior to assembling the valve spool on the rear cover, make sure all sharp edges are removed to avoid damage to the O-rings. Also check to see that the plunger is moving free in the valve barrel.

Note 2, Use oil to lubricate the O-rings prior to assembly.



7 TON LOG SPLITTER



1 x Motor Support Boot RH

1 x Motor Support Boot LH

2 x "O" Rings 46.2x1.8

1 x Gear Housing Plate

1 x Gear Shaft Snap Ring, 10mm

2 x Pins, 7.8d x 24

2 x Impellor Discs

1 x Pin, 2.5 x 4

1 x Steel Ball 2.5dia

3 x M8 Spring Washers

1 x Gear Shaft, 11x38

3 x M8 x 30 Set Screws

1 x Gear Shaft Snap Ring, 10mm

2 x "O" Rings 10.6 x 2.65

1 x Pump Housing Assy includes 4 x Sleeve Bearings

6 x M8 Spring Washers

6 x M8 x 55 Hex Bolts

(15) 555916 Pump Assy Items

542807 O-Ring Pack Contains
2 x 46.2 x 1.8
2 x 10.6 x 2.65