

Masport®

LOG SPLITTER

5 TON Kinetic

Part Number 552882

Introduced July 2017

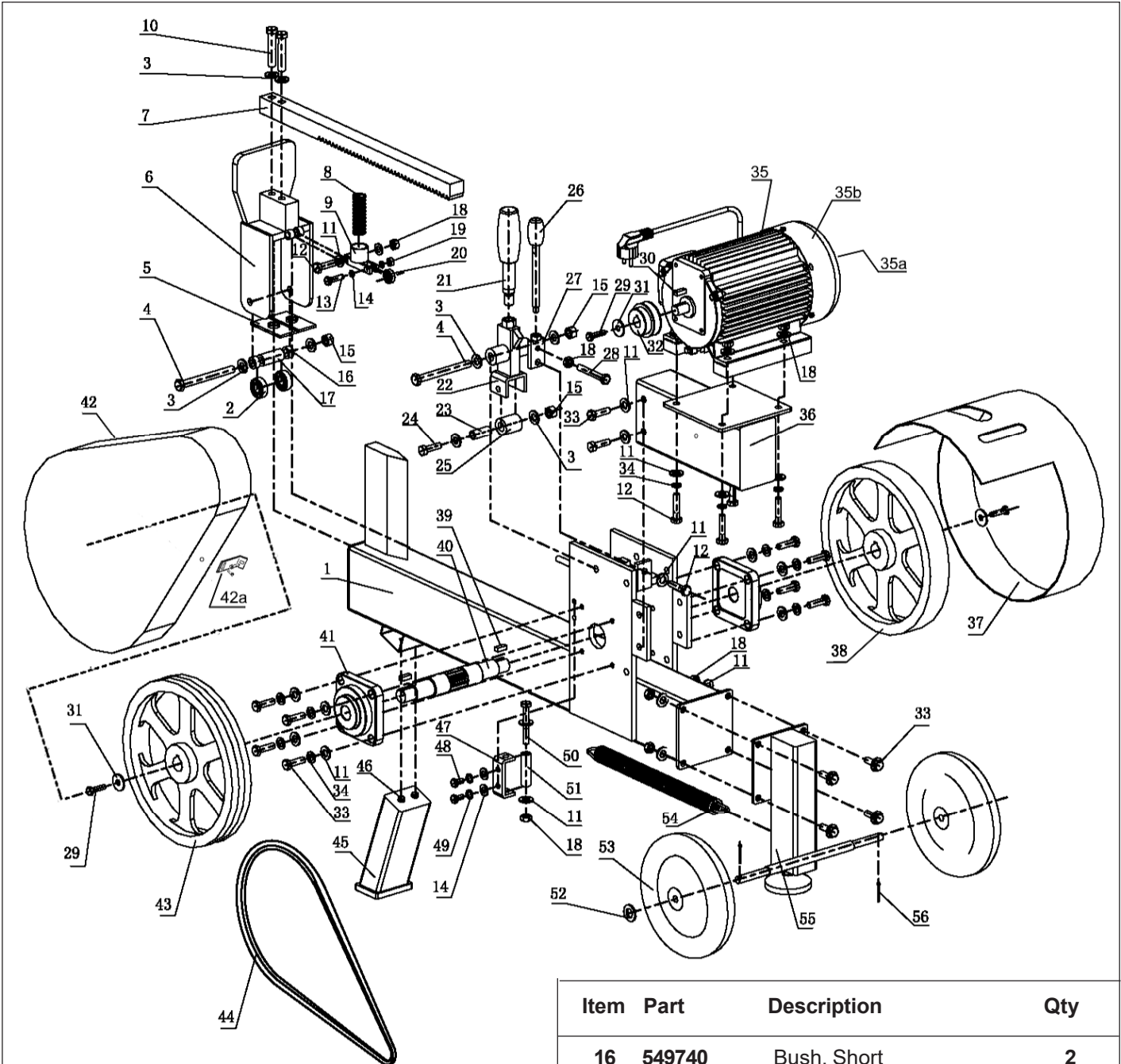


Serial Number Location

*Issue a.1
ECN 12496
July 2018 PB
REF # 752882*



5 TON LOG SPLITTER



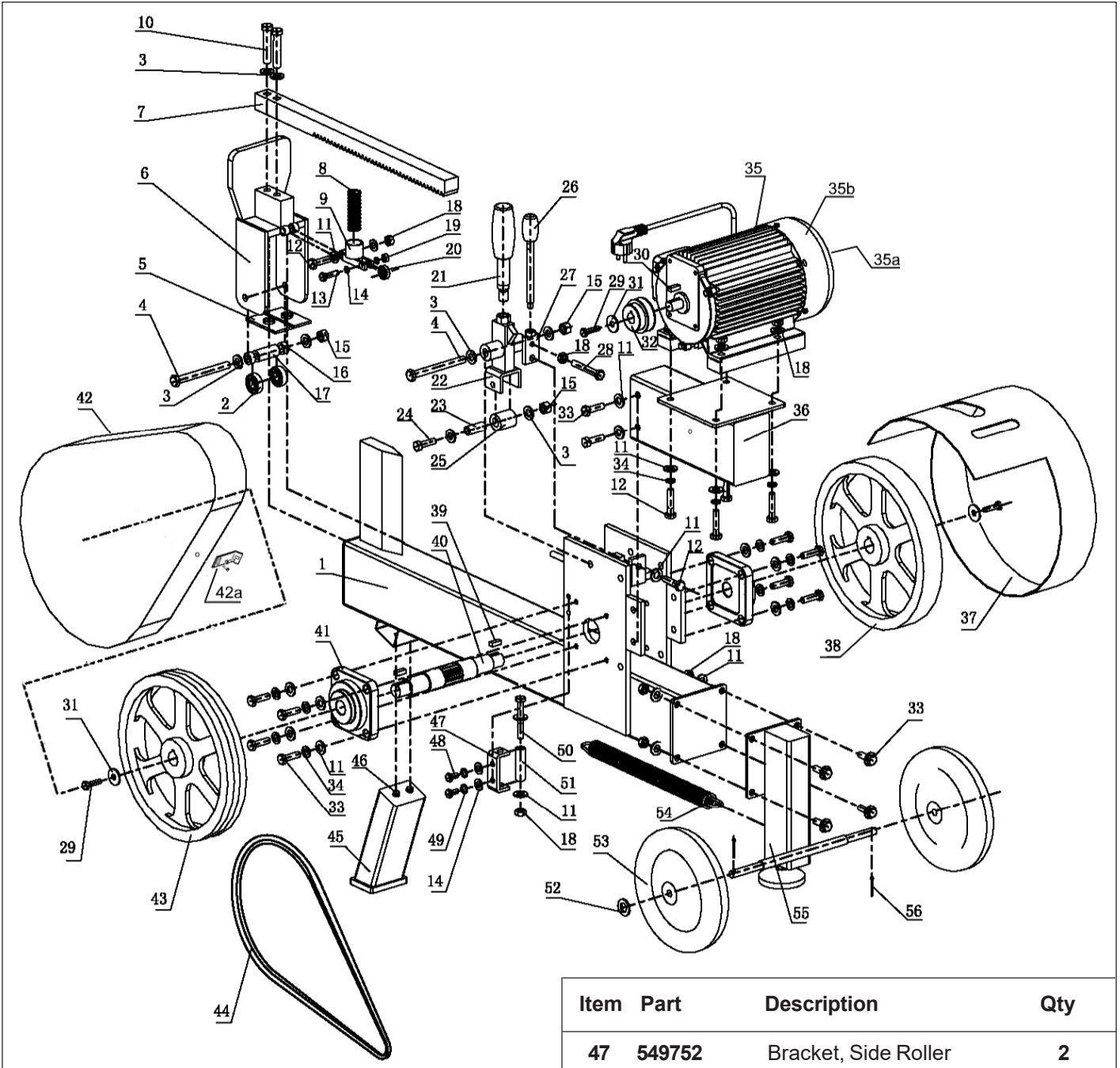
| Item | Part | Description | Qty |
|------|---------------|------------------------|-----|
| 1 | 549734 | Body, 5 Ton | 1 |
| 2 | 549738 | Bearing, 6201 | 1 |
| 3 | | Washer, Flat 12mm | 1 |
| 4 | | Bolt, M12 x 115 Hex | 1 |
| 5 | 548892 | Slider- Nylon | 1 |
| 6 | 548893 | Pusher- Log | 1 |
| 7 | 548894 | Rack- Pusher, 5 Ton | 1 |
| 8 | 549769 | Spring- Short, Tension | 1 |
| 9 | 549739 | Bush, Location | 1 |
| 10 | | Bolt, M12 x 45 Hex | 1 |
| 11 | | Washer, Flat 10mm | 1 |
| 12 | | Bolt, M10 x 45 Hex | 1 |
| 13 | | Boly, M8 x 35 Hex | 1 |
| 14 | | Washer, Flat 8mm | 1 |
| 15 | | Screw M12 | 1 |

| Item | Part | Description | Qty |
|------|---------------|---------------------|-----|
| 16 | 549740 | Bush, Short | 2 |
| 17 | 549741 | Bush, Long | 1 |
| 18 | | Screw M10 | 1 |
| 19 | | Screw M8 | 1 |
| 20 | 549742 | Bearing, 628 | 1 |
| 21 | 548895 | Handle- Splitting | 1 |
| 22 | 549743 | Bracket, Pressure | 1 |
| 23 | 549744 | Key- Flat | 1 |
| 24 | | Bolt, M12 x 65 Hex | 1 |
| 25 | 549745 | Roller | 1 |
| 26 | 548896 | Handle- Lock/Unlock | 1 |
| 27 | 549746 | Lever, Unlock | 1 |
| 28 | | Bolt, M10 x 80 Hex | 1 |
| 29 | | Bolt, M8 x 30 Hex | 1 |
| 30 | 548897 | Key 6 x 6 | 1 |
| 31 | | Washer, Flat 8mm | 1 |
| 32 | 549747 | Pulley, Motor | 1 |
| 33 | | Bolt, M10 x 30 Hex | 1 |
| 34 | | Washer, Spring 10mm | 1 |

When ordering PLEASE QUOTE PART NUMBER & Description, NOT Illustration No.
Determine right or left hand side from standing in operating position (standing at handle).
Bold Text = Assemblies, Bulleted Text * = Items included in the Assemblies



5 TON LOG SPLITTER



| Item | Part | Description | Qty |
|------------|---------------|-------------------------|-----|
| 35 | 548898 | Motor Assy- 1500W | 1 |
| 35a | 549731 | Fan-Motor | 1 |
| 35b | 549799 | Cowling-Motor | 1 |
| 36 | 549748 | Base, Motor Mount | 1 |
| 37 | 548899 | Guard- Flywheel | 1 |
| 38 | 549736 | Flywheel, 5 Ton | 1 |
| 39 | 548900 | Key 8 x 7 | 2 |
| 40 | 548901 | Pinion- Driver | 1 |
| 41 | 549737 | Housing, Bearing | 1 |
| 42 | 548902 | Guard-Pulley | 1 |
| 42a | 549725 | Bracket | 1 |
| 43 | 549750 | Flywheel, Belt | 1 |
| 44 | 548903 | Belt-V A1295LI (1325LD) | 1 |
| 45 | 548904 | Leg- Front | 1 |
| 46 | | Bolt, M6 x 16 Hex | 1 |

| Item | Part | Description | Qty |
|-----------|---------------|-----------------------|-----|
| 47 | 549752 | Bracket, Side Roller | 2 |
| 48 | | Bolt, M8 x 15 Hex | 1 |
| 49 | | Washer, Spring 8mm | 1 |
| 50 | | Bolt, M10 x 90 Hex | 1 |
| 51 | 549753 | Roller, Side | 2 |
| 52 | | Washer, Flat 12mm | 1 |
| 53 | 548905 | Wheel | 2 |
| 54 | 548906 | Spring-Tension (long) | 1 |
| 55 | 548907 | Bracket- Wheel | 1 |
| 56 | | Pin, Cotter 3.2dia | 1 |
| 57 | | Washer, Flat 6mm | 1 |
| 58 | 549754 | Handle, Lifting | 1 |
| 59 | | Screw M6 | 1 |

Not Illustrated

| | | |
|---------------|--------------------|---|
| 549756 | Bolt Pack | 1 |
| 549778 | Cover- Switch Assy | 1 |

When ordering PLEASE QUOTE PART NUMBER & Description, NOT Illustration No.
Determine right or left hand side from standing in operating position (standing at handle).
Bold Text = Assemblies, Bulleted Text * = Items included in the Assemblies