

Masport®

LOG SPLITTER

8 TON Kinetic

Part Number 553001

Introduced October 2017

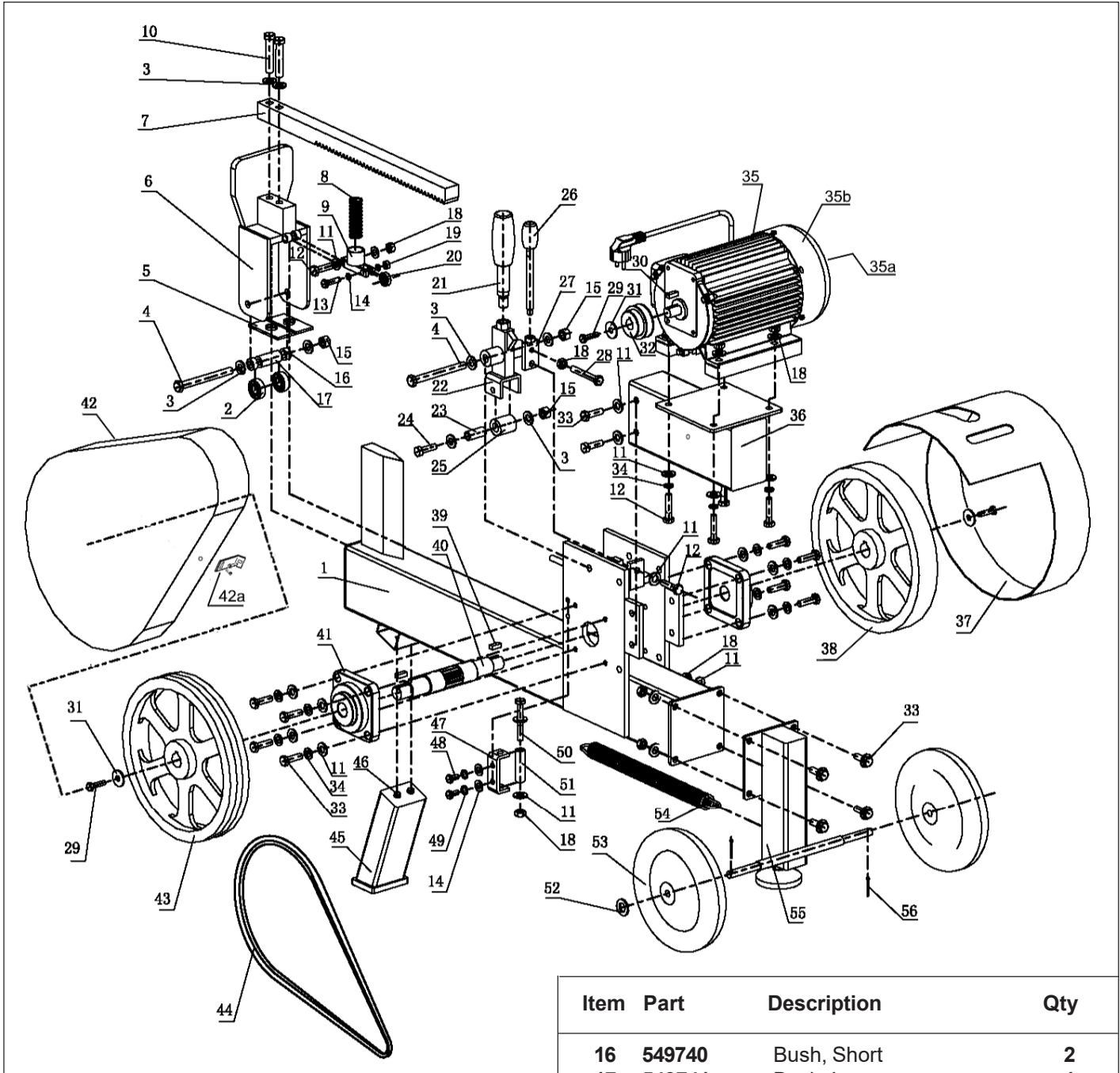


Serial Number Location

*Issue a.3
ECN 12583
Dec 2018 PB
REF # 753001*



8 TON LOG SPLITTER

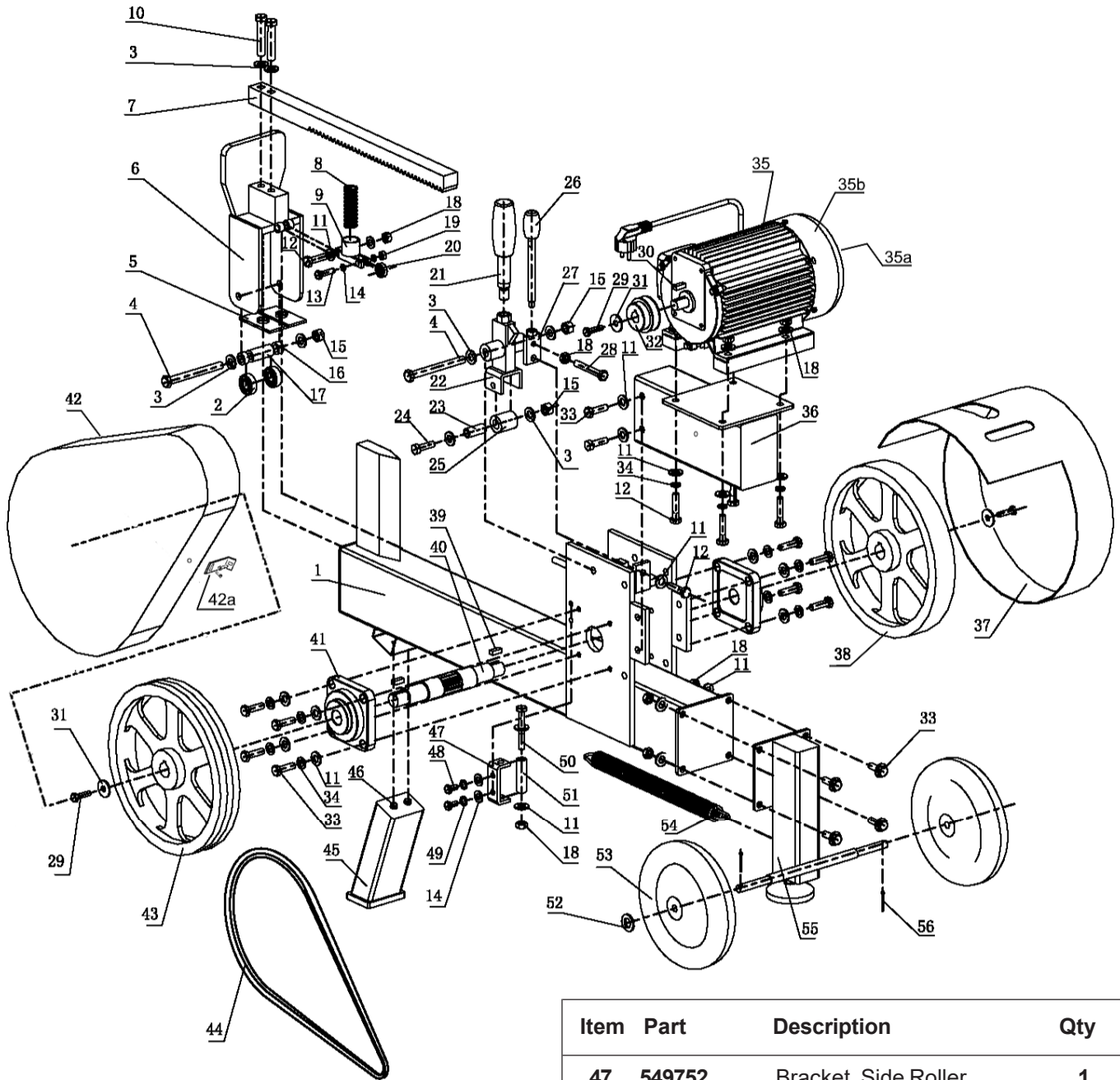


Item	Part	Description	Qty
1	549733	Body, 8 Ton	1
2	549738	Bearing, Plastic	1
3		Washer, Flat 12mm	1
4		Bolt, M12 x 115 Hex	1
5	548892	Slider- Nylon	1
6	548893	Pusher- Log	1
7	549732	Rack- Pusher, 8 Ton	1
8	549769	Spring- Tension (Short)	1
9	549739	Bush, Location	1
10		Bolt, M12 x 45 Hex	1
11		Washer, Flat 10mm	1
12		Bolt, M10 x 45 Hex	1
13		Boly, M8 x 35 Hex	1
14		Washer, Flat 8mm	1
15		Screw M12	1
16	549740	Bush, Short	2
17	549741	Bush, Long	1
18		Screw M10	1
19		Screw M8	1
20	549742	Bearing, 628	1
21	548895	Handle- Splitting	1
22	549743	Bracket, Pressure	1
23	549744	Roller- Inner	1
24		Bolt, M12 x 65 Hex	1
25	549745	Roller- Outer	1
26	548896	Handle- Lock/Unlock	1
27	549746	Lever, Unlock	1
28		Bolt, M10 x 80 Hex	1
29		Bolt, M8 x 30 Hex	1
30	548897	Key 6 x 6	1
31		Washer, Flat 8mm	1
32	549747	Pulley, Motor	1
33		Bolt, M10 x 30 Hex	1
34		Washer, Spring 10mm	1

When ordering PLEASE QUOTE PART NUMBER & Description, NOT Illustration No.
Determine right or left hand side from standing in operating position (standing at handle).
Bold Text = Assemblies, **Bulleted Text** * = Items included in the Assemblies



8 TON LOG SPLITTER



Item	Part	Description	Qty
47	549752	Bracket, Side Roller	1
48		Bolt, M8 x 15 Hex	1
49		Washer, Spring 8mm	1
50		Bolt, M10 x 90 Hex	1
51	549753	Roller, Side	1
52		Washer, Flat 12mm	1
53	548905	Wheel	1
54	548906	Spring-Tension (Long)	1
55	548907	Bracket- Wheel	1
56		Pin, Cotter 3.2dia	1
57		Washer, Flat 6mm	1
58	549754	Handle, Lifting	1
59		Screw M6	1
Not Illustrated			
	549756	Bolt Pack	1
	549778	Cover- Switch Assy	1

Item	Part	Description	Qty
35	549706	Motor Assy- 1600W	1
35a	549731	Fan, Motor	1
35b	549799	Cowling, Motor	1
36	549749	Base- Motor Mount, 8 Ton	1
37	548899	Guard- Flywheel	1
38	549730	Flywheel, 8 Ton	1
39	548900	Key 8 x 7	2
40	548901	Pinion- Driver	1
41	549737	Housing, Bearing	1
42	548902	Guard- Pulley	1
42a	549725	Bracket	1
43	549751	Flywheel- Belt, 8 Ton	1
44	548903	Belt-V A1295LI (1325LD)	1
45	548904	Leg- Front	1
46		Bolt, M6 x 16 Hex	1

When ordering PLEASE QUOTE PART NUMBER & Description, NOT Illustration No.
Determine right or left hand side from standing in operating position (standing at handle).
Bold Text = Assemblies, Bulleted Text * = Items included in the Assemblies