

CS-310ES

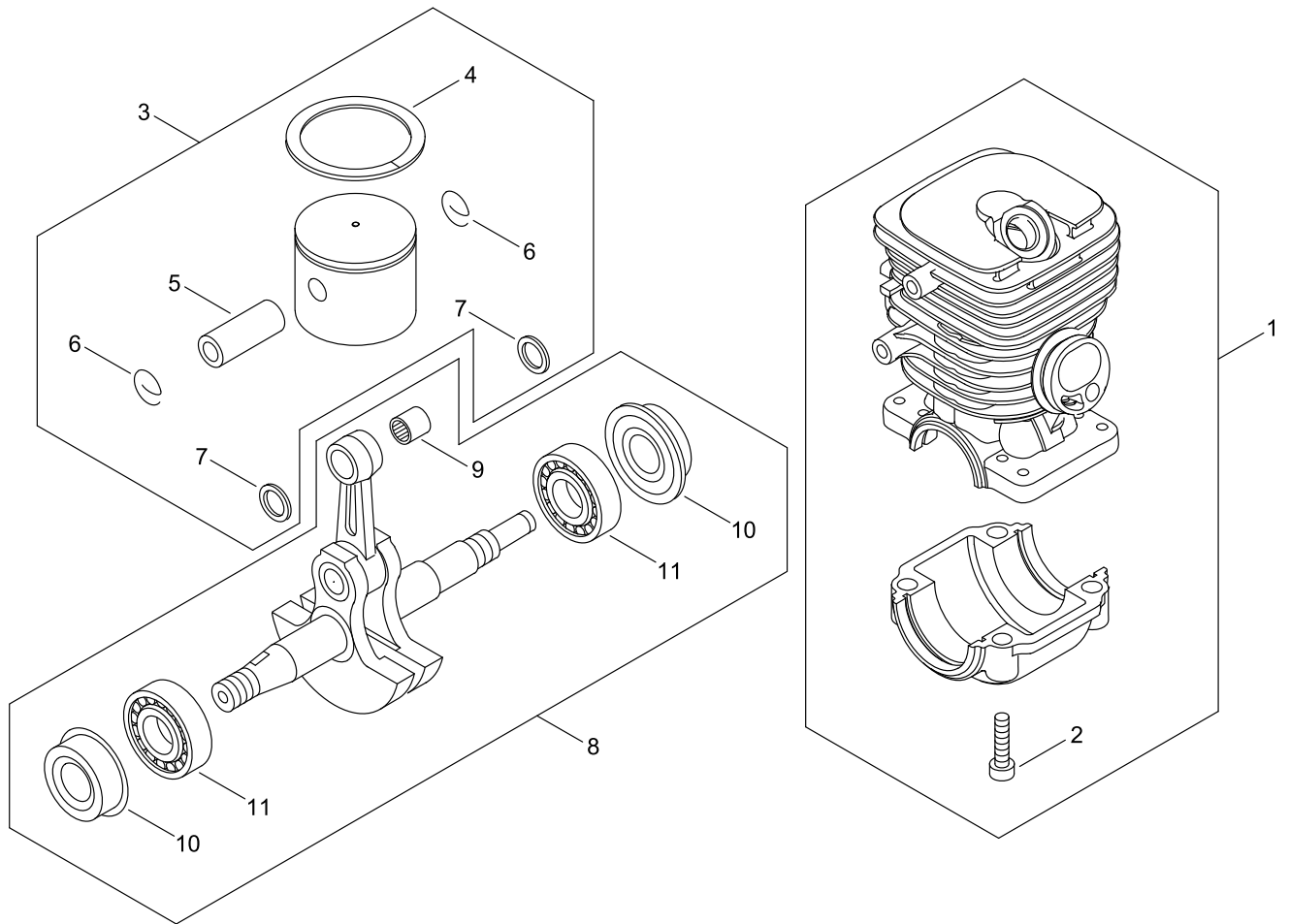
Serial number: 38000001-38999999

Last update date: 02/18/2020

TABLE OF CONTENTS

CYLINDER, PISTON, CRANKSHAFT.....	1
ENGINE COVER.....	3
MAGNETO.....	5
AIR CLEANER, CARBURETOR.....	7
CARBURETOR.....	9
MUFFLER.....	11
RECOIL STARTER.....	13
HANDLE.....	15
CHAIN BRAKE.....	17
ACCESSORIES.....	19
GUIDE BAR, CHAIN.....	21

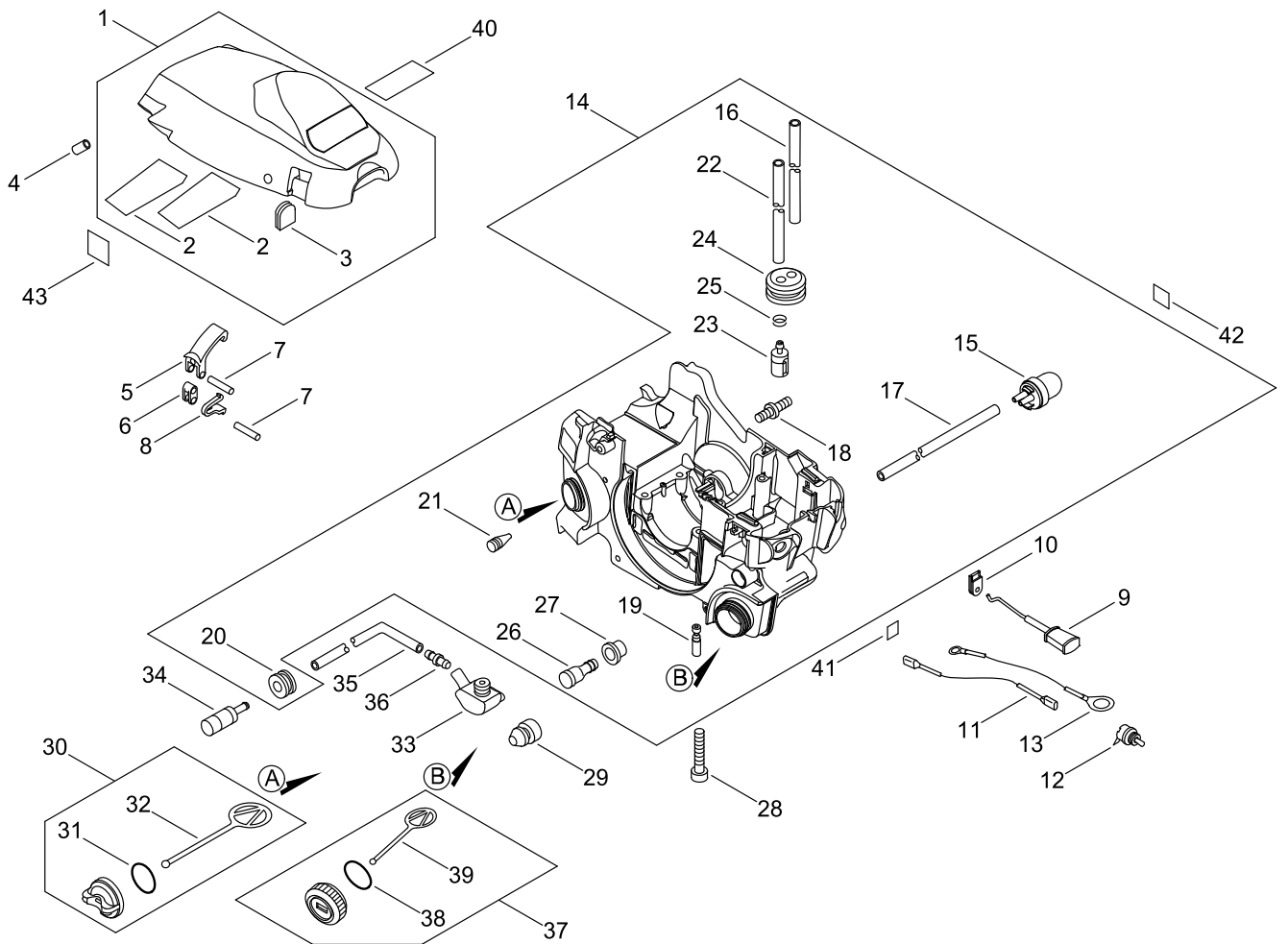
CYLINDER, PISTON, CRANKSHAFT



CYLINDER, PISTON, CRANKSHAFT

Key No.	LV (+)	Part No	Description	Qty	Standard
1		P021-015050	CRANK CASE KIT	1	
2	+	V805-000220	BOLT, TORX 5	4	TB-5*25 12.9
3		P021-015061	PISTON KIT	1	
4	+	100011-16131	RING, PISTON	1	
5	+	100013-15330	PIN, PISTON	1	5.5*8*29
6	+	100015-04630	CIRCLIP, PISTON PIN	2	
7	+	100014-11520	SPACER, PISTON PIN	2	
8		P021-015072	CRANKSHAFT,ASSY	1	
9	+	V553-000060	BEARING,NEEDLE 8	1	HK0810FMV4
10	+	V505-000011	SEAL,OIL 12	2	12*32*5.5
11	+	94035-36201	BEARING BALL	2	6201X3JR2C3

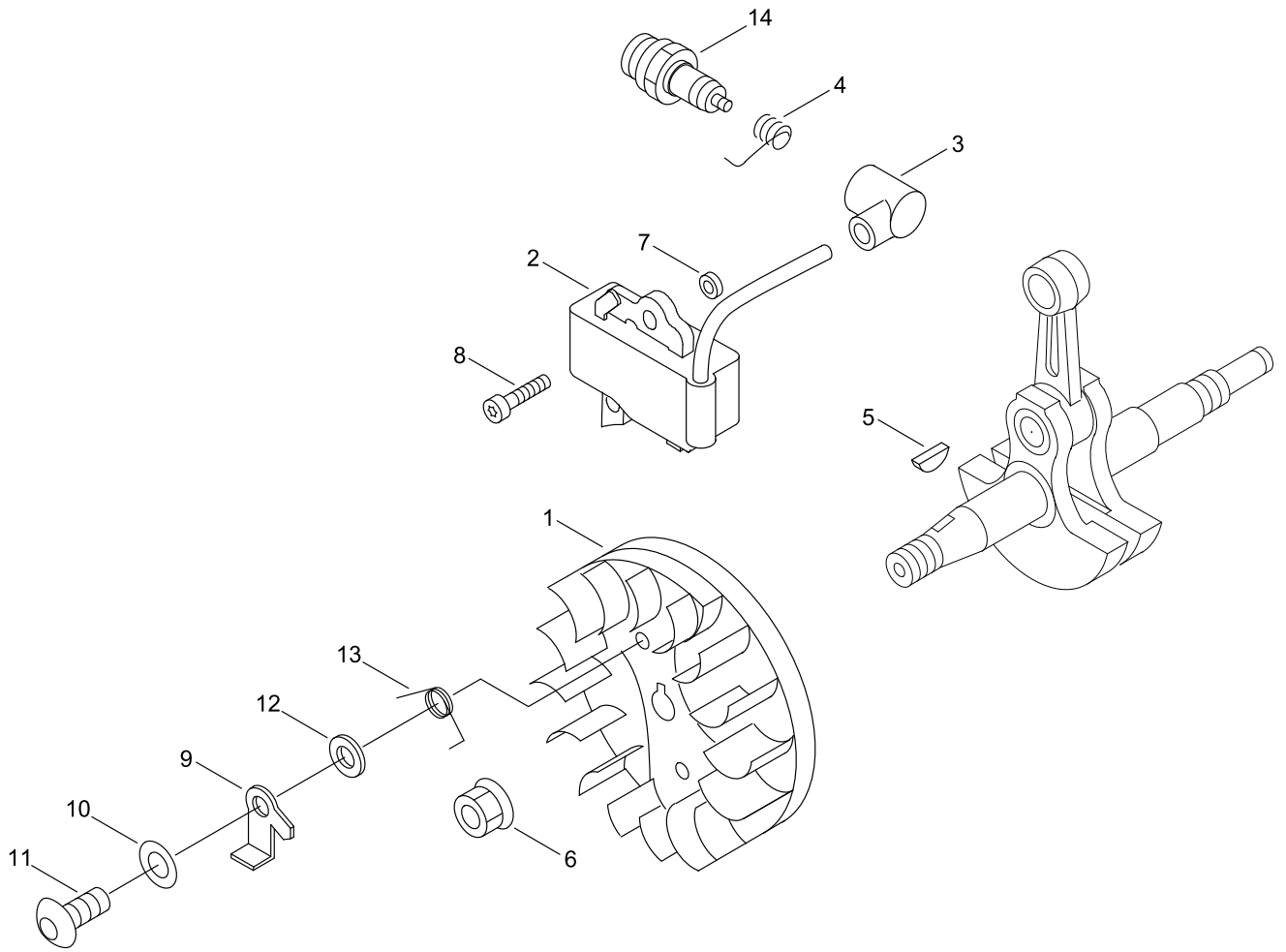
ENGINE COVER



ENGINE COVER

Key No.	LV (+)	Part No	Description	Qty	Standard
1		P100-007260	CYLINDER COVER ASY	1	
2	+	V341-000120	WASHER,SQUARE	2	
3	+	130338-32430	PLUG, COVER	1	
4		100927-35830	PIPE	1	3*7*10
5		C463-000100	KNOB, LATCH	2	
6		J485-000200	HINGE	2	
7		V622-000070	PIN,STRAIGHT 4	4	F4*17.8
8		V490-000400	CLIP	2	
9		A241-000150	KNOB, CHOKE	1	
10		V130-000010	GROMMET,CHOKE	1	
11		V485-001080	LEAD	1	L235,#187,#250
12		A440-001190	SWITCH, ON OFF	1	
13		V485-001070	LEAD	1	#LA105 L255
14		P100-007270	ENGINE COVER ASY	1	
15	+	123181-39130	PUMP, PRIMER	1	
16	+	V471-001561	PIPE	1	2.4*5*80
17	+	V471-002191	PIPE	1	2.4*5*125
18	+	V225-000370	BOLT,STUD 8	2	M8
19	+	C022-000190	AUTO-OILER ASSEMBLY	1	
20	+	132115-01462	GROMMET	1	
21	+	436114-13930	VALVE, CHECK	1	
22	+	V471-002171	PIPE	1	3*5*230
23	+	A369-000420	STRAINER, FUEL	1	ES-16499
24	+	132115-44331	GROMMET, FUEL	1	
25	+	V490-001240	CLIP	1	
26	+	A356-000031	VALVE,CHECK	1	
27	+	V137-000001	GROMMET,FUEL	1	
28		V805-000180	BOLT, TORX 5	4	TB-5*30 12.9
29		V420-001790	CUSHION	2	
30		P021-005581	CAP ASY	1	
31	+	900720-00018	O-RING	1	P-18
32	+	A365-000050	CONNECTOR,CAP	1	
33		V470-000810	PIPE	1	
34		P100-001900	STRAINER, OIL	1	
35		130110-05261	PIPE 3* 6*185	1	3*6*185
36		V186-000510	JOINT,PIPE	1	
37		P021-037920	FUEL CAP ASY	1	
38	+	V581-000610	RING,O	1	P22
39	+	A365-000050	CONNECTOR,CAP	1	
40		X503-009270	LABEL,MODEL	1	CS-310ES
41		890157-39131	LABEL, SWITCH	1	
42		X524-001901	LABEL	1	
43		890631-38131	LABEL, CAUTION	1	

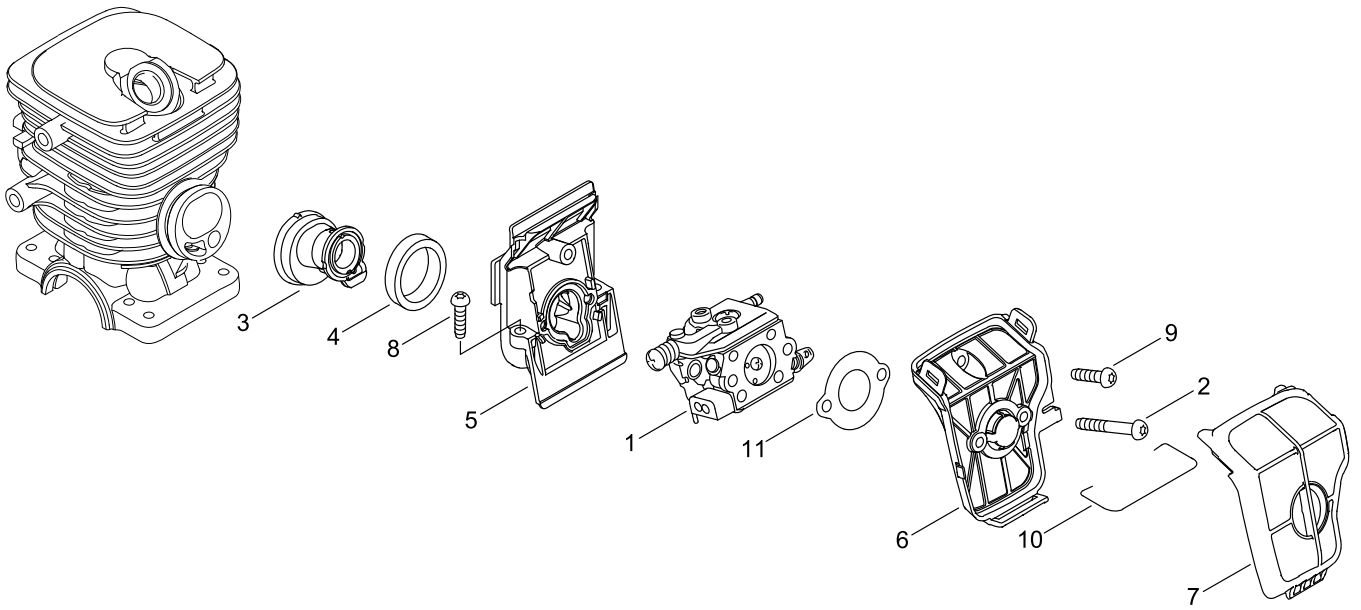
MAGNETO



MAGNETO

Key No.	LV (+)	Part No	Description	Qty	Standard
1		A409-000350	ROTOR, MAGNETO	1	WALBRO FW57
2		A411-000460	COIL, IGNITION	1	WALBRO MBU-35A
3		A427-000020	CAP, SPARK PLUG	1	
4		A426-000020	TERMINAL, SPARKPLUG	1	
5		100142-12330	KEY, WOODRUFF	1	
6		900515-00008	NUT, FLANGE 8	1	8
7		150117-16430	SPACER	2	
8		V805-000210	BOLT, TORX 5	2	TB-5*20 12.9
9		A514-000020	PAWL	2	
10		900603-00005	WASHER 5	2	5.5*12*0.8
11		V203-000080	BOLT, 5	2	5*14
12		177247-04630	SPACER, RATCHET	2	5.2*8*2.1
13		177234-35430	SPRING, RETURN	2	
14		A425-000000	SPARKPLUG	1	BPMP8Y

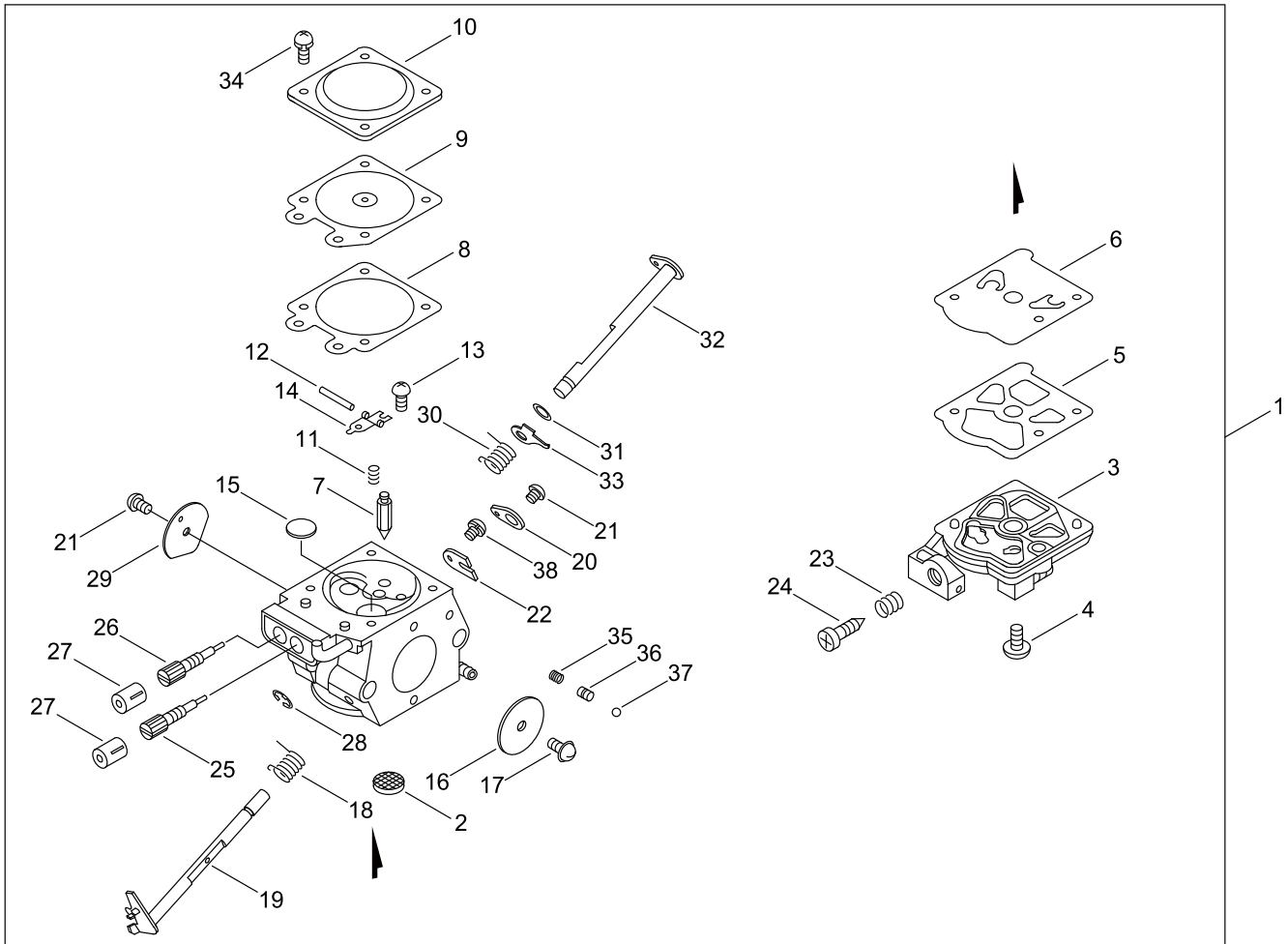
AIR CLEANER, CARBURETOR



AIR CLEANER, CARBURETOR

Key No.	LV (+)	Part No	Description	Qty	Standard
1		A021-001700	CARBURETOR, DIAPHRAGM	1	WT-946
2		V805-000040	BOLT, TORX 5	2	TT-5*55 DG 10.9
3		A202-000071	BELLOWS, INTAKE	1	
4		A206-000000	HOLDER, BELLOWS	1	
5		A200-000353	INSULATOR, INTAKE	1	
6		A225-000350	CASE,CLEANER	1	
7		A226-000460	ELEMENT,AIR FILTER	1	
8		V805-000010	BOLT, TORX 5	2	TT-5*20 DG 10.9
9		V805-000000	BOLT, TORX 5	1	TT-5*16 DG 10.9
10		V582-000050	RING,SNAP	1	D2
11		V103-000500	GASKET,INTAKE	1	ASK NO.4600

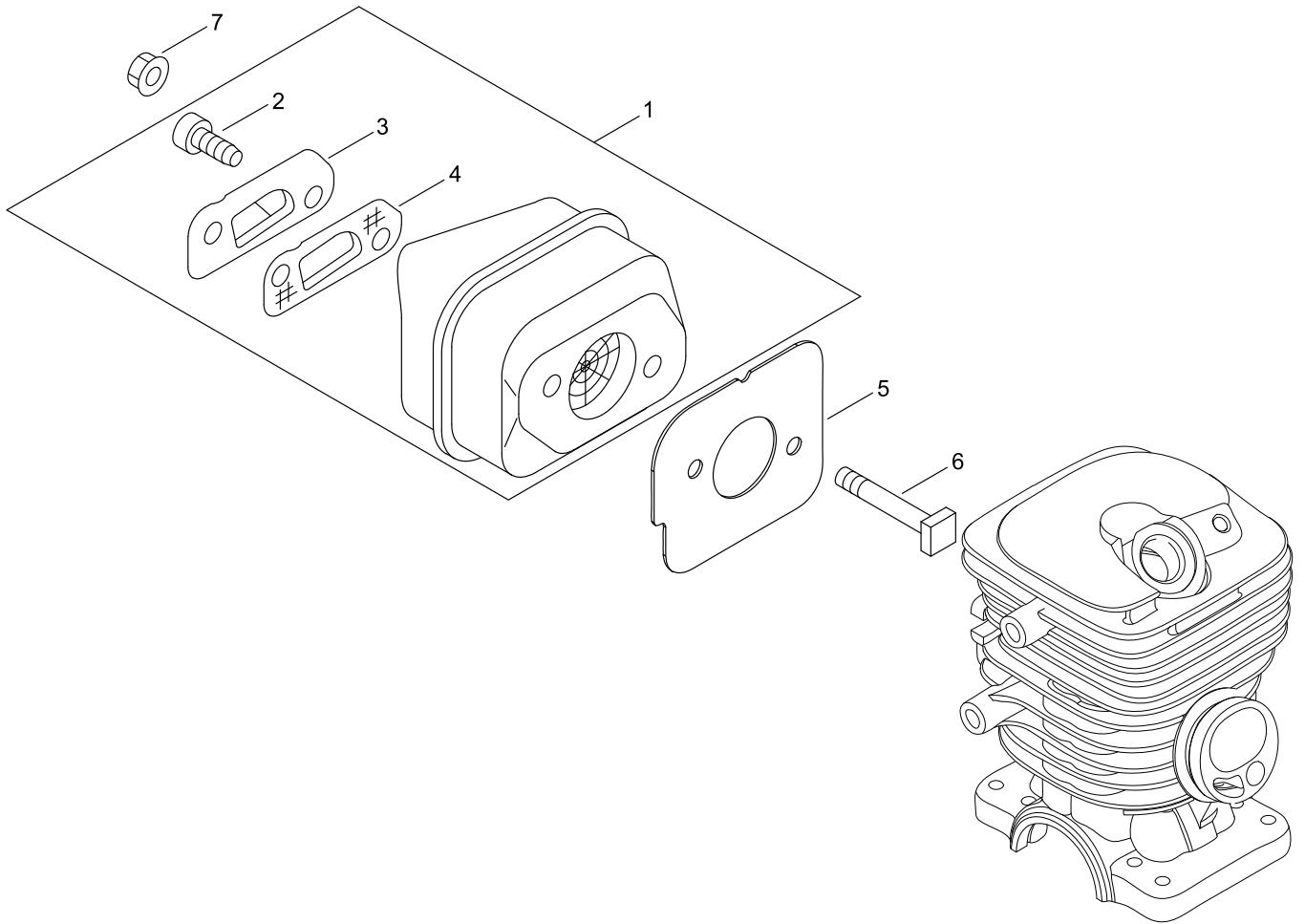
CARBURETOR



CARBURETOR

Key No.	LV (+)	Part No	Description	Qty	Standard
1		A021-001700	CARBURETOR, DIAPHRAGM	1	WT-946
2	+	123126-10631	SCREEN, INLET	1	
3	+	123124-09520	COVER, FUEL PUMP	1	
4	+	123110-03930	SCREW, PUMP COVER	1	
5	+	123125-15030	GASKET, FUEL PUMP	1	
6	+	123112-15030	DIAPHRAGM, FUEL PUMP	1	
7	+	123137-19830	VALVE, INLET NEEDLE	1	
8	+	123140-03930	GASKET, M. DIAPHRAGM	1	
9	+	P003-001850	DIAPHRAGM, METERING	1	
10	+	123142-03930	COVER, M. DIAPHRAGM	1	
11	+	123122-03660	SPRING, METER. LEVER	1	
12	+	123138-03930	PIN, METERING LEVER	1	
13	+	123139-03930	SCREW, M. LEVER PIN	1	
14	+	123123-03930	LEVER, METERING	1	
15	+	123146-10631	PLUG, WELCH	1	
16	+	123116-05960	VALVE, THROTTLE	1	
17	+	123114-05260	SCREW	1	
18	+	123113-37530	SPRING, THROTTLE RTN	1	
19	+	P003-002240	SHAFT ASY,THROTTLE	1	
20	+	P003-001040	LEVER THROTTLE	1	
21	+	123114-38830	SCREW	2	
22	+	123127-03930	CLIP, THROTTLE SHAFT	1	
23	+	123133-04260	SPRING, IDLE ADJUST	1	
24	+	123134-04260	SCREW, IDLE ADJUST	1	
25	+	123120-52131	NEEDLE, HIGH SPEED	1	
26	+	123118-02261	NEEDLE	1	
27	+	P003-000010	LIMITER CAP	2	
28	+	123127-15030	RING	1	
29	+	P003-002250	VALVE, CHOKE	1	
30	+	P003-002260	SPRING	1	
31	+	123149-26030	WASHER	1	
32	+	P003-000150	CHOKE, SHAFT	1	
33	+	P003-001510	LEVER-FAST IDLE	1	
34	+	123130-02960	SCREW	4	
35	+	123186-09660	SPRING, START VALVE	1	
36	+	123185-09660	PISTON ASSY	1	
37	+	123136-09660	BALL	1	
38	+	P003-005120	SCREW	1	

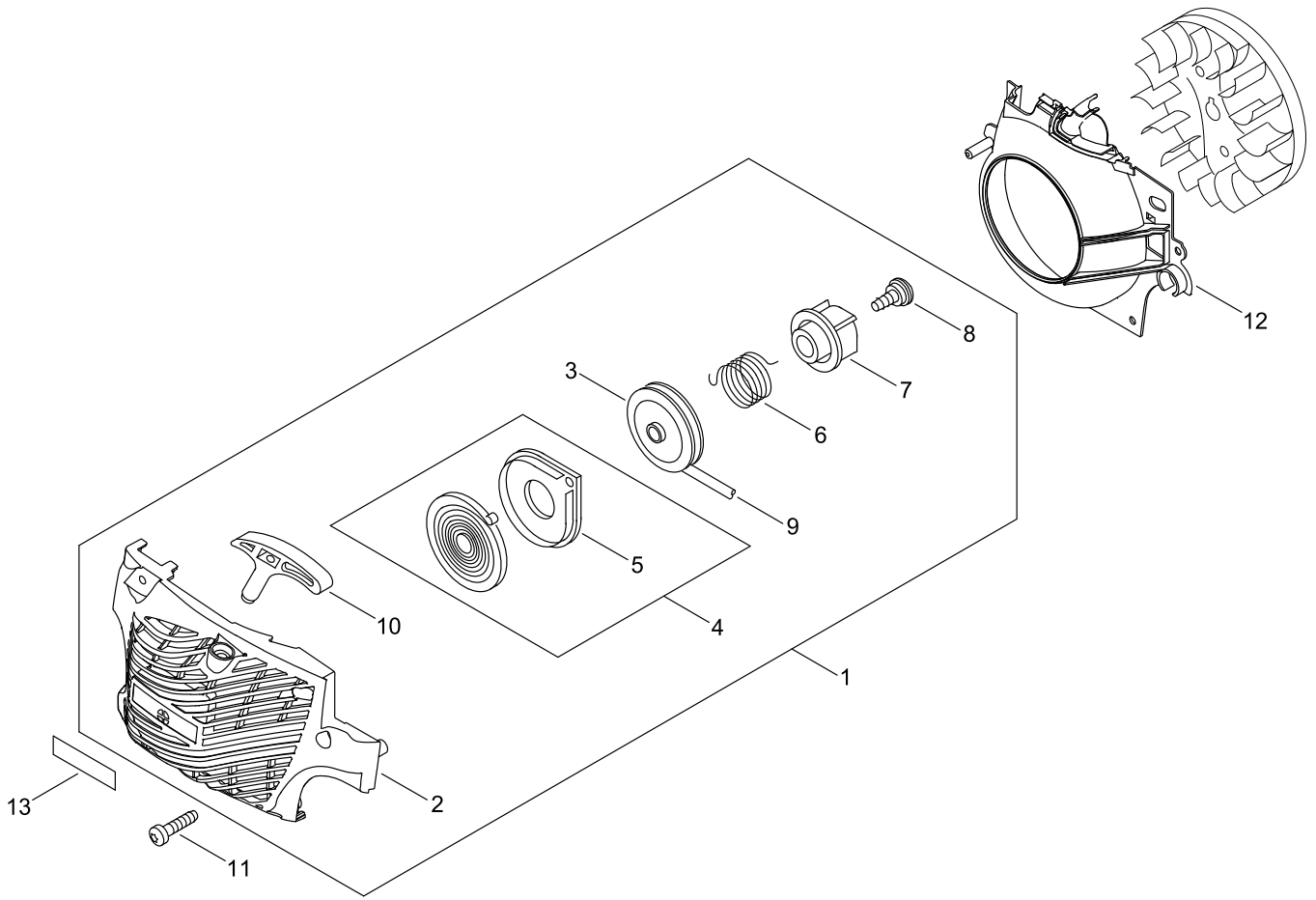
MUFFLER



MUFFLER

Key No.	LV (+)	Part No	Description	Qty	Standard
1		P100-004320	MUFFLER ASY	1	
2	+	V804-000030	BOLT, TORX 4	2	TB-4*8 10.9
3	+	A313-001120	GUIDE, EXHAUST	1	ID#1800
4	+	A310-000060	SCREEN, ARRESTOR	1	
5		V104-000732	GASKET,EXHAUST	1	
6		V203-000120	BOLT,5	2	L=60
7		900516-00005	NUT, FLANGE	2	5

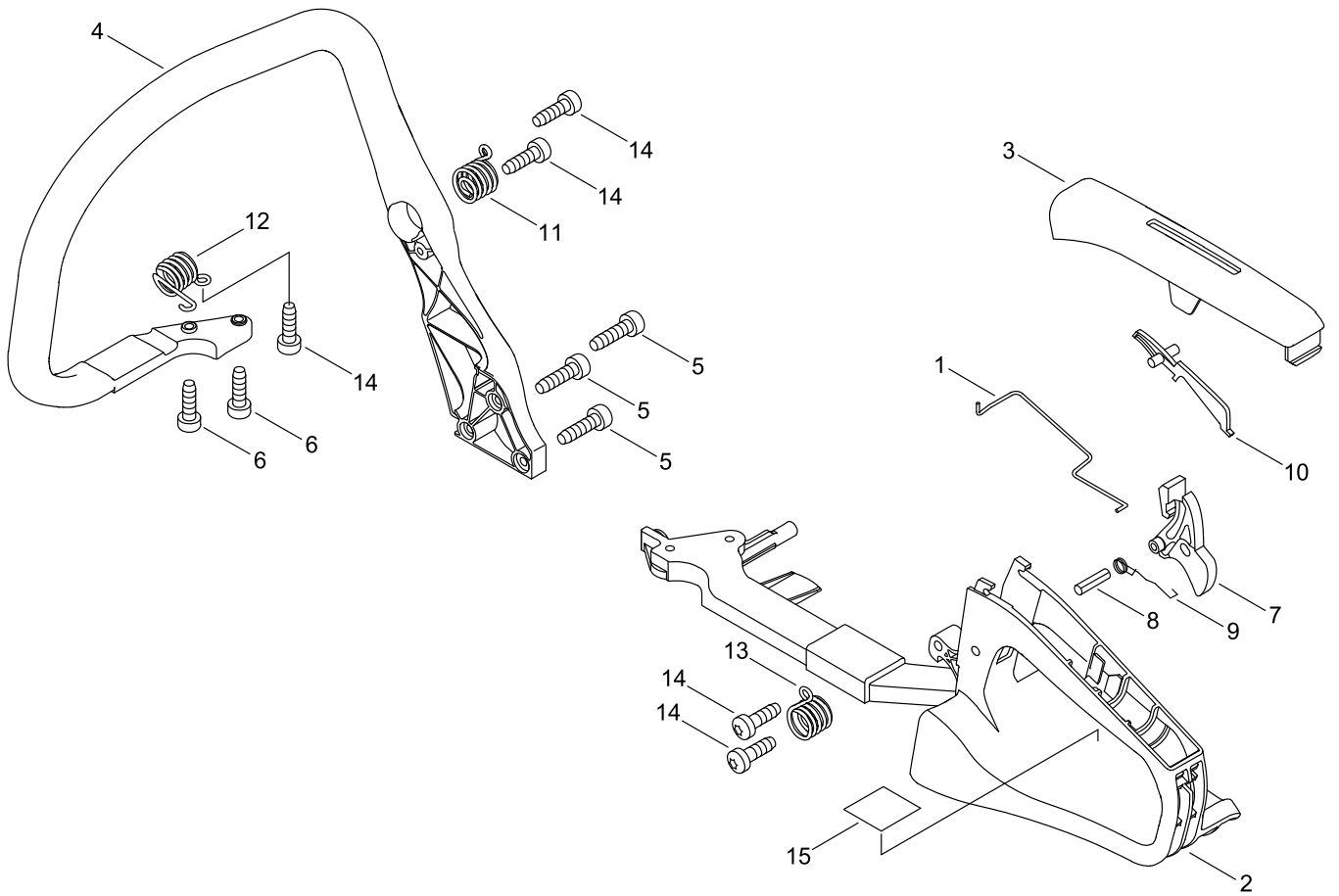
RECOIL STARTER



RECOIL STARTER

Key No.	LV (+)	Part No	Description	Qty	Standard
1		A051-002741	STARTER,RECOIL ASY	1	ASSY EMC
2	+	P022-039030	STARTER CASE	1	
3	+	P022-039040	DRUM, STARTER	1	
4	+	P022-039050	SPRING KIT, REWIND	1	
5	++	P022-033280	SPRING CASE	1	
6	+	V452-001320	SPRING,TORSION	1	
7	+	P022-039060	PLATE, CAM	1	
8	+	177236-61830	SCREW	1	
9	+	P022-035830	ROPE, STARTER	1	
10	+	P022-035820	GRIP, STARTER	1	
11		V805-000010	BOLT, TORX 5	4	TT-5*20 DG 10.9
12		A172-000830	COVER,FAN	1	
13		X502-000670	LABEL,ECHO	1	

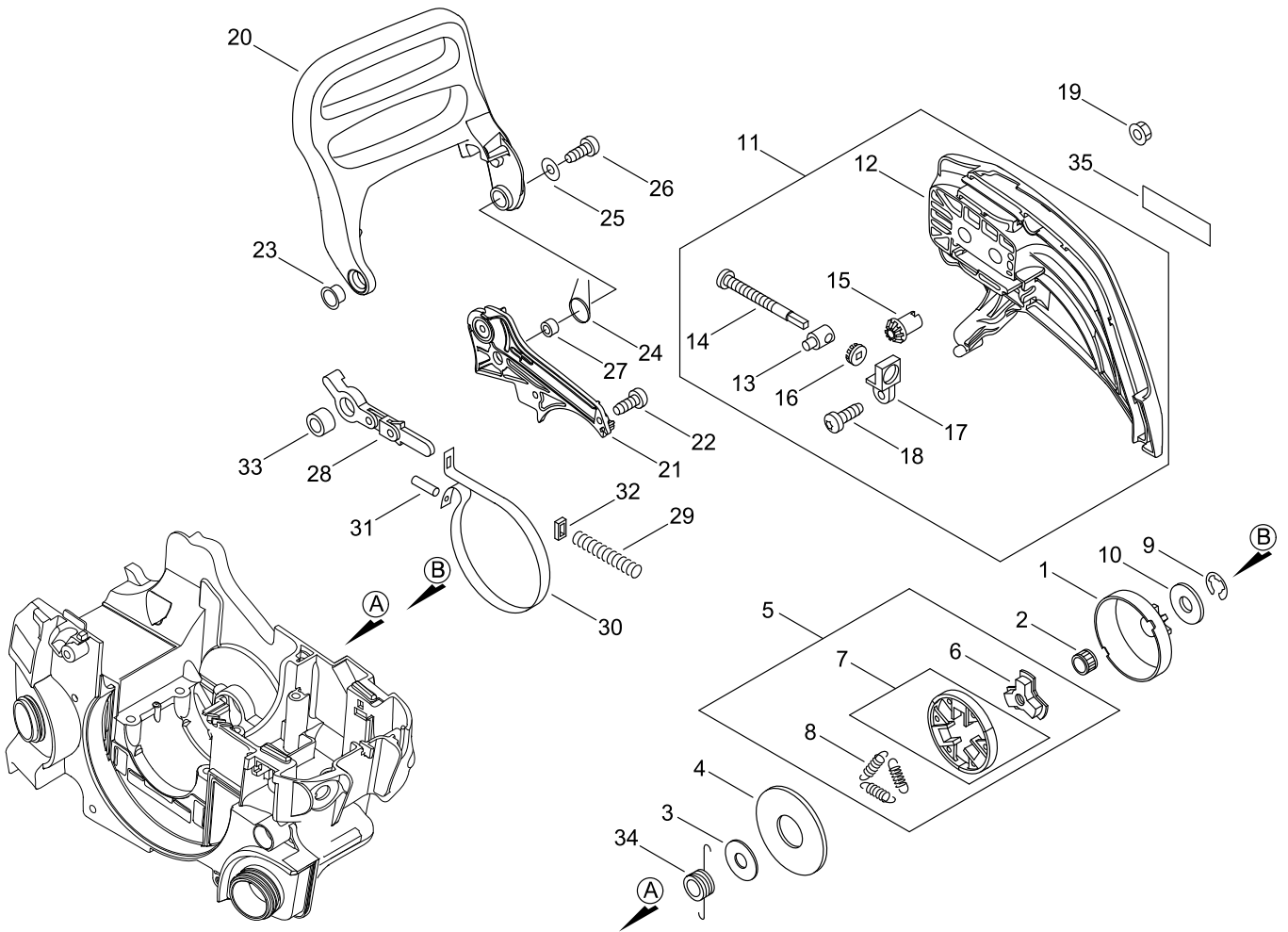
HANDLE



HANDLE

Key No.	LV (+)	Part No	Description	Qty	Standard
1		C454-000160	ROD, THROTTLE	1	
2		C410-000450	HANDLE, REAR	1	
3		C411-000041	LID,HANDLE	1	
4		C400-000541	HANDLE, FRONT	1	
5		V805-000010	BOLT, TORX 5	3	TT-5*20 DG 10.9
6		V805-000000	BOLT, TORX 5	2	TT-5*16 DG 10.9
7		C450-000213	CONTROL, THROTTLE	1	
8		900345-40025	PIN, SPRING 4*25SUS	1	4*25SUS
9		V452-000260	SPRING,TORSION	1	
10		C460-000072	LOCKOUT, THROTTLE	1	
11		V450-000700	SPRING,COMPRESSION	1	
12		V450-000710	SPRING,COMPRESSION	1	
13		V450-000720	SPRING,COMPRESSION	1	
14		V805-000000	BOLT, TORX 5	5	TT-5*16 DG 10.9
15		890345-39231	LABEL,CAUTION	1	

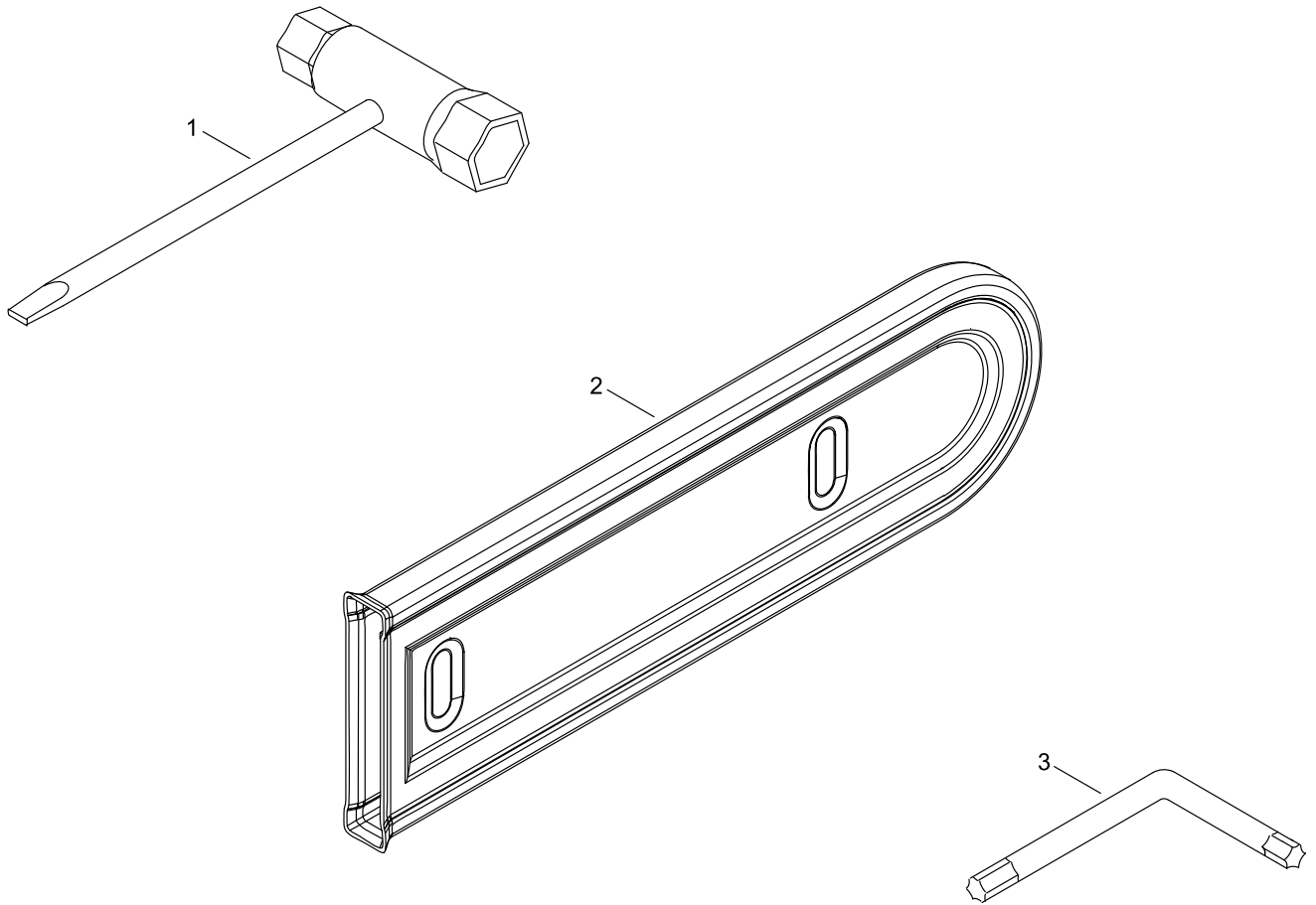
CHAIN BRAKE



CHAIN BRAKE

Key No.	LV (+)	Part No	Description	Qty	Standard
1		A556-000543	DRUM, CLUTCH	1	
2		V553-000150	BEARING,NEEDLE 8	1	
3		A551-000080	PLATE, CLUTCH	1	
4		A551-000140	PLATE, CLUTCH	1	
5		A056-000211	CLUTCH ASY	1	
6	+	A552-000100	HUB, CLUTCH	1	
7	+	P021-005811	CLUTCH SHOE SET	1	
8	+	V451-000470	SPRING,TENSION	3	
9		V583-000120	RING	1	
10		100143-19830	WASHER	1	8.2*31*0.8
11		P021-015112	GUARD,SPROCKET KIT	1	
12	+	C300-000402	GUARD, SPROCKET	1	
13	+	C309-000030	TENSIONER,CHAIN	1	
14	+	V203-000110	BOLT,5	1	
15	+	V651-000001	GEAR,BEVEL	1	
16	+	V651-000011	GEAR,BEVEL	1	
17	+	V355-000140	COLLAR,8	1	
18	+	V804-000000	BOLT, TORX 4	1	TT-4*12 DG 10.9
19		V265-000200	NUT	2	
20		C320-000173	LEVER, BRAKE	1	
21		C345-000271	COVER,BRAKE	1	
22		V804-000000	BOLT, TORX 4	3	TT-4*12 DG 10.9
23		V356-000430	COLLAR,10	1	
24		V452-000250	SPRING,TORSION	1	
25		177214-03930	WASHER	1	
26		V804-000020	BOLT, TORX 4	1	TT-4*20 DG 10.9
27		433116-35430	SPACER 8	1	8*12*9
28		C334-000100	CONNECTOR, BRAKE	1	
29		V450-000070	SPRING,COMPRESSION	1	
30		C328-000030	BAND,BRAKE	1	
31		93050-30098	ROLLER	1	F3*9.8
32		V376-000450	SPACER	1	
33		433116-35430	SPACER 8	1	8*12*9
34		V652-000040	GEAR,WORM	1	
35		X502-000340	LABEL,ECHO	1	ECHO(WHITE)



ACCESSORIES



ACCESSORIES

Key No.	LV (+)	Part No	Description	Qty	Standard
1		X602-000080	TOOL,WRENCH	1	13*19 L180
2		X490-000510	SCABBARD,CHAIN	1	350
3		X605-000170	TOOL,L WRENCH	1	

GUIDE BAR, CHAIN

Pitch ピッチ	Gauge ゲージ	Length 長さ	Guide Bar ガイドバー		Saw Chain ソーチェン		Hard Nose ハード ノーズ 	Sprocket Nose スプロケット ノーズ 
			Key No	Type 形式	Key No	Type 形式		
3/8 9.53 (inch) (mm)	0.050 1.27 (inch) (mm)	30 (cm)	A1	C30S91-47ML- EC	A2	91VXL-47E		●
3/8 9.53	0.050 1.27	35	B1	C35S91-53ML- EC	B2	91VXL-53E		●

GUIDE BAR, CHAIN

Key No.	LV (+)	Part No	Description	Qty	Standard
A1		X122-000341	BAR,GUIDE 30	1	C30S91-47ML-EC
A2		X222-000130	CHAIN,SAW	1	91VXL-47E
B1		X123-000551	BAR,GUIDE 35	1	C35S91-53ML-EC
B2		X223-000080	CHAIN,SAW	1	91VXL-53E

NUMERICAL PARTS INDEX

Part No	Part description	Page	Part No	Part description	Page	Part No	Part description	Page
100011-16131	RING, PISTON	2	433116-35430	SPACER 8	18	C334-000100	CONNECTOR, BRAKE	18
100013-15330	PIN, PISTON	2	436114-13930	VALVE, CHECK	4	C345-000271	COVER, BRAKE	18
100014-11520	SPACER, PISTON PIN	2	890157-39131	LABEL, SWITCH	4	C400-000541	HANDLE, FRONT	16
100015-04630	CIRCLIP, PISTON PIN	2	890345-39231	LABEL, CAUTION	16	C410-000450	HANDLE, REAR	16
100142-12330	KEY, WOODRUFF	6	890631-38131	LABEL, CAUTION	4	C411-000041	LID, HANDLE	16
100143-19830	WASHER	18	900345-40025	PIN, SPRING 4*25SUS	16	C450-000213	CONTROL, THROTTLE	16
100927-35830	PIPE	4	900515-00008	NUT, FLANGE 8	6	C454-000160	ROD, THROTTLE	16
123110-03930	SCREW, PUMP COVER	10	900516-00005	NUT, FLANGE	12	C460-000072	LOCKOUT, THROTTLE	16
123112-15030	DIAPHRAGM, FUEL PUMP	10	900603-00005	WASHER 5	6	C463-000100	KNOB, LATCH	4
123113-37530	SPRING, THROTTLE RTN	10	900720-00018	O-RING	4	J485-000200	HINGE	4
123114-05260	SCREW	10	93050-30098	ROLLER	18	P003-000010	LIMITER CAP	10
123114-38830	SCREW	10	94035-36201	BEARING BALL	2	P003-000150	CHOKE, SHAFT	10
123116-05960	VALVE, THROTTLE	10	A021-001700	CARBURETOR, DIAPHRAGM	8	P003-001040	LEVER THROTTLE	10
123118-02261	NEEDLE	10	A021-001700	CARBURETOR, DIAPHRAGM	10	P003-001510	LEVER-FAST IDLE	10
123120-52131	NEEDLE, HIGH SPEED	10	A051-002741	STARTER, RECOIL ASY	14	P003-001850	DIAPHRAGM, METERING	10
123122-03660	SPRING, METER. LEVER	10	A056-000211	CLUTCH ASY	18	P003-002240	SHAFT ASY, THROTTLE	10
123123-03930	LEVER, METERING	10	A172-000830	COVER, FAN	14	P003-002250	VALVE, CHOKE	10
123124-09520	COVER, FUEL PUMP	10	A200-000353	INSULATOR, INTAKE	8	P003-002260	SPRING	10
123125-15030	GASKET, FUEL PUMP	10	A202-000071	BELLOWS, INTAKE	8	P003-005120	SCREW	10
123126-10631	SCREEN, INLET	10	A206-000000	HOLDER, BELLOWS	8	P021-005581	CAP ASY	4
123127-03930	CLIP, THROTTLE SHAFT	10	A225-000350	CASE, CLEANER	8	P021-005811	CLUTCH SHOE SET	18
123127-15030	RING	10	A226-000460	ELEMENT, AIR FILTER	8	P021-015050	CRANK CASE KIT	2
123130-02960	SCREW	10	A241-000150	KNOB, CHOKE	4	P021-015061	PISTON KIT	2
123133-04260	SPRING, IDLE ADJUST	10	A310-000060	SCREEN, ARRESTOR	12	P021-015072	CRANKSHAFT, ASSY	2
123134-04260	SCREW, IDLE ADJUST	10	A313-001120	GUIDE, EXHAUST	12	P021-015112	GUARD, SPROCKET KIT	18
123136-09660	BALL	10	A356-000031	VALVE, CHECK	4	P021-037920	FUEL CAP ASY	4
123137-19830	VALVE, INLET NEEDLE	10	A365-000050	CONNECTOR, CAP	4	P022-033280	SPRING CASE	14
123138-03930	PIN, METERING LEVER	10	A369-000420	STRAINER, FUEL	4	P022-035820	GRIP, STARTER	14
123139-03930	SCREW, M. LEVER PIN	10	A409-000350	ROTOR, MAGNETO	6	P022-035830	ROPE, STARTER	14
123140-03930	GASKET, M. DIAPHRAGM	10	A411-000460	COIL, IGNITION	6	P022-039030	STARTER CASE	14
123142-03930	COVER, M. DIAPHRAGM	10	A425-000000	SPARKPLUG	6	P022-039040	DRUM, STARTER	14
123146-10631	PLUG, WELCH	10	A426-000020	TERMINAL, SPARKPLUG	6	P022-039050	SPRING KIT, REWIND	14
123149-26030	WASHER	10	A427-000020	CAP, SPARK PLUG	6	P022-039060	PLATE, CAM	14
123181-39130	PUMP, PRIMER	4	A440-001190	SWITCH, ON OFF	4	P100-001900	STRAINER, OIL	4
123185-09660	PISTON ASSY	10	A514-000020	PAWL	6	P100-004320	MUFFLER ASY	12
123186-09660	SPRING, START VALVE	10	A551-000080	PLATE, CLUTCH	18	P100-007260	CYLINDER COVER ASY	4
130110-05261	PIPE 3* 6*185	4	A551-000140	PLATE, CLUTCH	18	P100-007270	ENGINE COVER ASY	4
130338-32430	PLUG, COVER	4	A552-000100	HUB, CLUTCH	18	V103-000500	GASKET, INTAKE	8
132115-01462	GROMMET	4	A556-000543	DRUM, CLUTCH	18	V104-000732	GASKET, EXHAUST	12
132115-44331	GROMMET, FUEL	4	C022-000190	AUTO-OILER ASSEMBLY	4	V130-000010	GROMMET, CHOKE	4
150117-16430	SPACER	6	C300-000402	GUARD, SPROCKET	18	V137-000001	GROMMET, FUEL	4
177214-03930	WASHER	18	C309-000030	TENSIONER, CHAIN	18	V186-000510	JOINT, PIPE	4
177234-35430	SPRING, RETURN	6	C320-000173	LEVER, BRAKE	18	V203-000080	BOLT, 5	6
177236-61830	SCREW	14	C328-000030	BAND, BRAKE	18	V203-000110	BOLT, 5	18
177247-04630	SPACER, RATCHET	6				V203-000120	BOLT, 5	12

NUMERICAL PARTS INDEX

Part No	Part description	Page	Part No	Part description	Page
V225-000370	BOLT,STUD 8	4	X122-000341	BAR,GUIDE 30	22
V265-000200	NUT	18	X123-000551	BAR,GUIDE 35	22
V341-000120	WASHER,SQUARE	4	X222-000130	CHAIN,SAW	22
V355-000140	COLLAR,8	18	X223-000080	CHAIN,SAW	22
V356-000430	COLLAR,10	18	X490-000510	SCABBARD,CHAIN	20
V376-000450	SPACER	18	X502-000340	LABEL,ECHO	18
V420-001790	CUSHION	4	X502-000670	LABEL,ECHO	14
V450-000070	SPRING,COMPRESSION	18	X503-009270	LABEL,MODEL	4
V450-000700	SPRING,COMPRESSION	16	X524-001901	LABEL	4
V450-000710	SPRING,COMPRESSION	16	X602-000080	TOOL,WRENCH	20
V450-000720	SPRING,COMPRESSION	16	X605-000170	TOOL,L WRENCH	20
V451-000470	SPRING,TENSION	18			
V452-000250	SPRING,TORSION	18			
V452-000260	SPRING,TORSION	16			
V452-001320	SPRING,TORSION	14			
V470-000810	PIPE	4			
V471-001561	PIPE	4			
V471-002171	PIPE	4			
V471-002191	PIPE	4			
V485-001070	LEAD	4			
V485-001080	LEAD	4			
V490-000400	CLIP	4			
V490-001240	CLIP	4			
V505-000011	SEAL,OIL 12	2			
V553-000060	BEARING,NEEDLE 8	2			
V553-000150	BEARING,NEEDLE 8	18			
V581-000610	RING,O	4			
V582-000050	RING,SNAP	8			
V583-000120	RING	18			
V622-000070	PIN,STRAIGHT 4	4			
V651-000001	GEAR,BEVEL	18			
V651-000011	GEAR,BEVEL	18			
V652-000040	GEAR,WORM	18			
V804-000000	BOLT, TORX 4	18			
V804-000020	BOLT, TORX 4	18			
V804-000030	BOLT, TORX 4	12			
V805-000000	BOLT, TORX 5	8			
V805-000000	BOLT, TORX 5	16			
V805-000010	BOLT, TORX 5	8			
V805-000010	BOLT, TORX 5	14			
V805-000010	BOLT, TORX 5	16			
V805-000040	BOLT, TORX 5	8			
V805-000180	BOLT, TORX 5	4			
V805-000210	BOLT, TORX 5	6			
V805-000220	BOLT, TORX 5	2			