

# CS-352ES

Serial number: 38000001-38999999

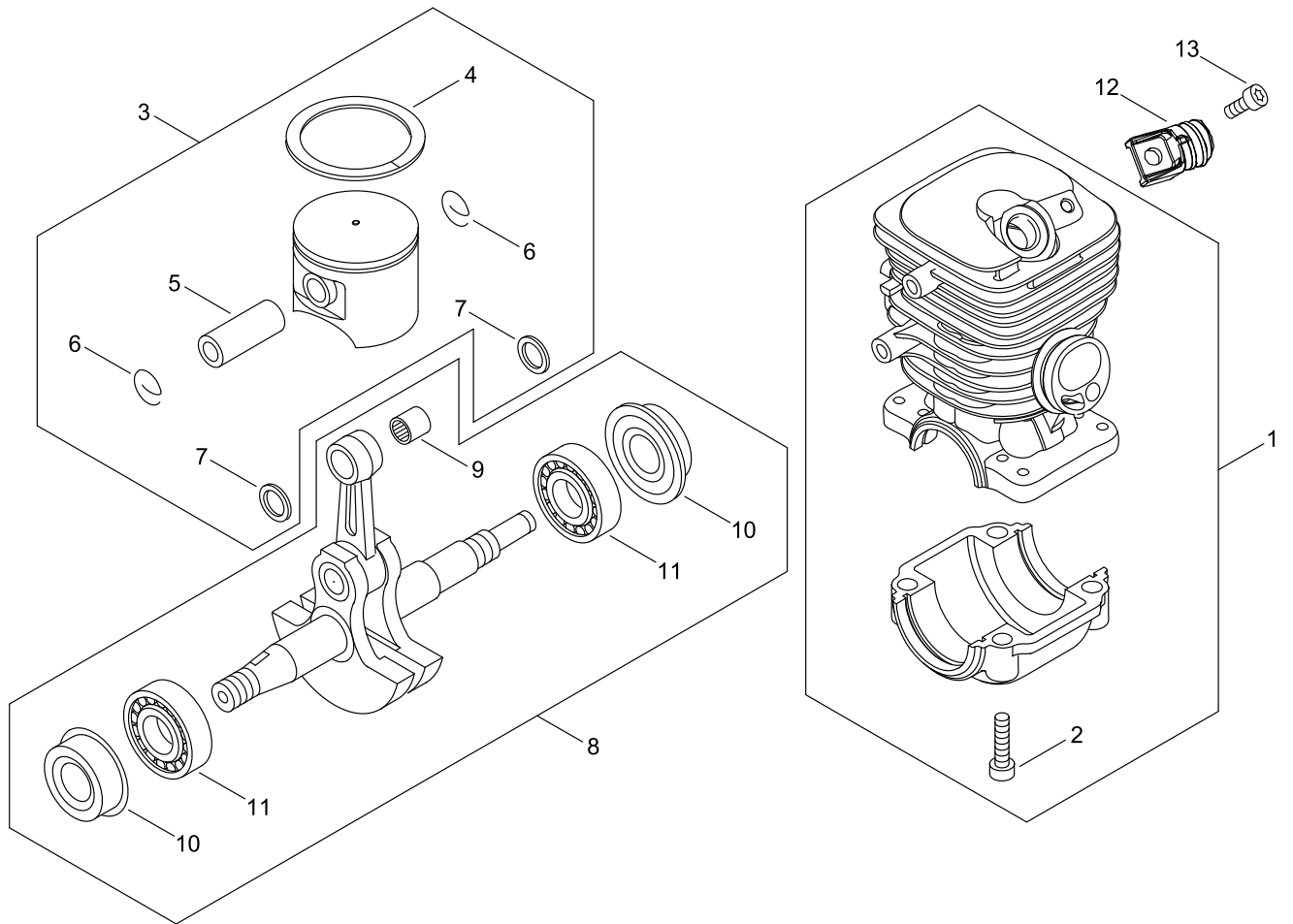
Last update date: 02/18/2020

## TABLE OF CONTENTS

---

CYLINDER, PISTON, CRANKSHAFT.....	1
ENGINE COVER.....	3
MAGNETO.....	5
AIR CLEANER, CARBURETOR.....	7
CARBURETOR.....	9
MUFFLER.....	11
RECOIL STARTER.....	13
HANDLE.....	15
CHAIN BRAKE.....	17
ACCESSORIES.....	19
GUIDE BAR, CHAIN.....	21

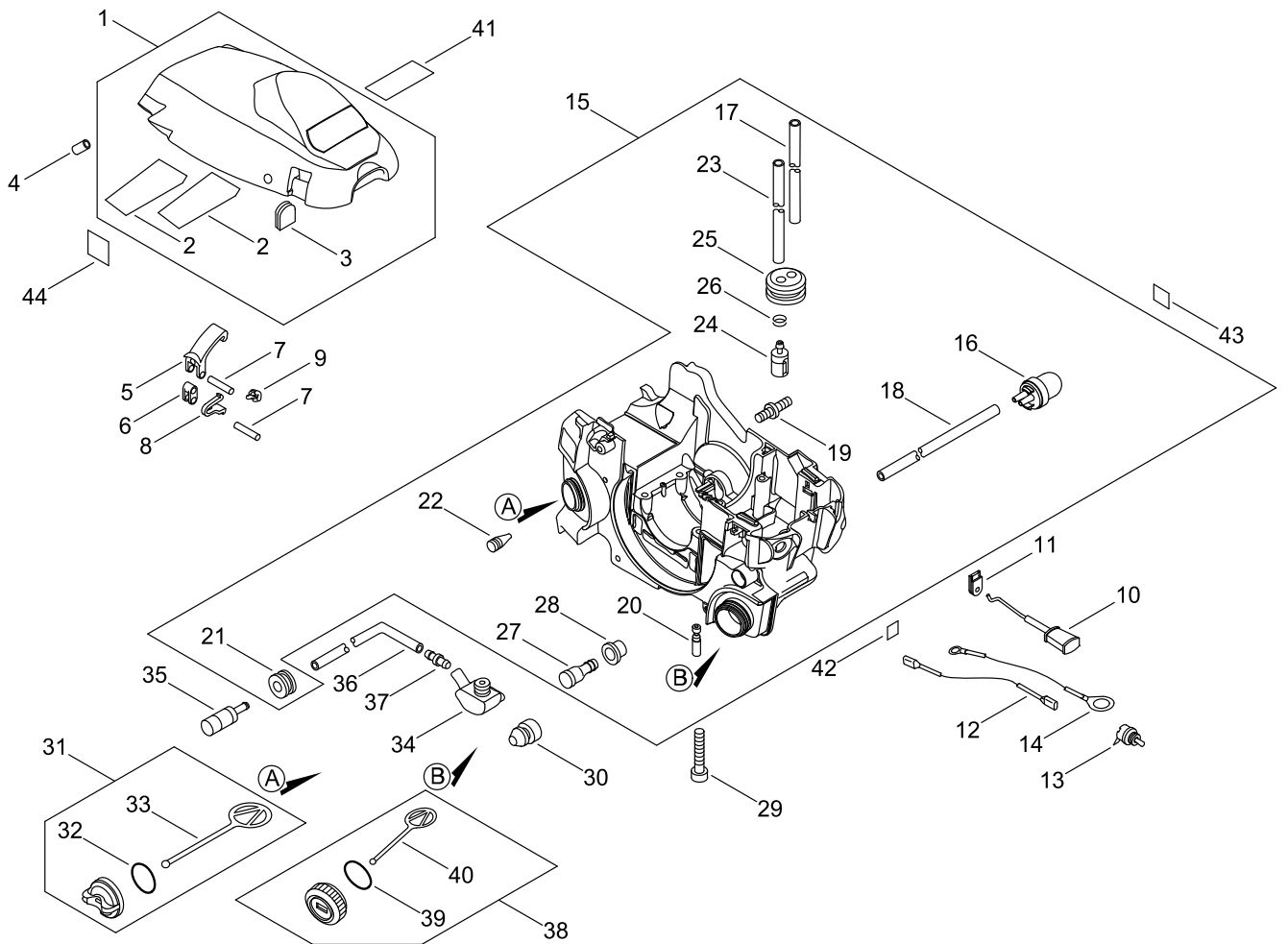
# CYLINDER, PISTON, CRANKSHAFT



## CYLINDER, PISTON, CRANKSHAFT

Key No.	LV (+)	Part No	Description	Qty	Standard
1		P021-035190	CRANKCASE KIT	1	
2	+	V805-000220	BOLT, TORX 5	4	TB-5*25 12.9
3		P021-035201	PISTON KIT	1	
4	+	A101-000580	RING, PISTON	1	
5	+	100013-15330	PIN, PISTON	1	5.5*8*29
6	+	100015-04630	CIRCLIP, PISTON PIN	2	
7	+	100014-11520	SPACER, PISTON PIN	2	
8		P021-015072	CRANKSHAFT,ASSY	1	
9	+	V553-000060	BEARING,NEEDLE 8	1	HK0810FMV4
10	+	V505-000011	SEAL,OIL 12	2	12*32*5.5
11	+	94035-36201	BEARING, BALL	2	6201
12		V456-000240	HOLDER,SPRING	1	
13		V805-000140	BOLT, TORX 5	1	TB-5*12 10.9

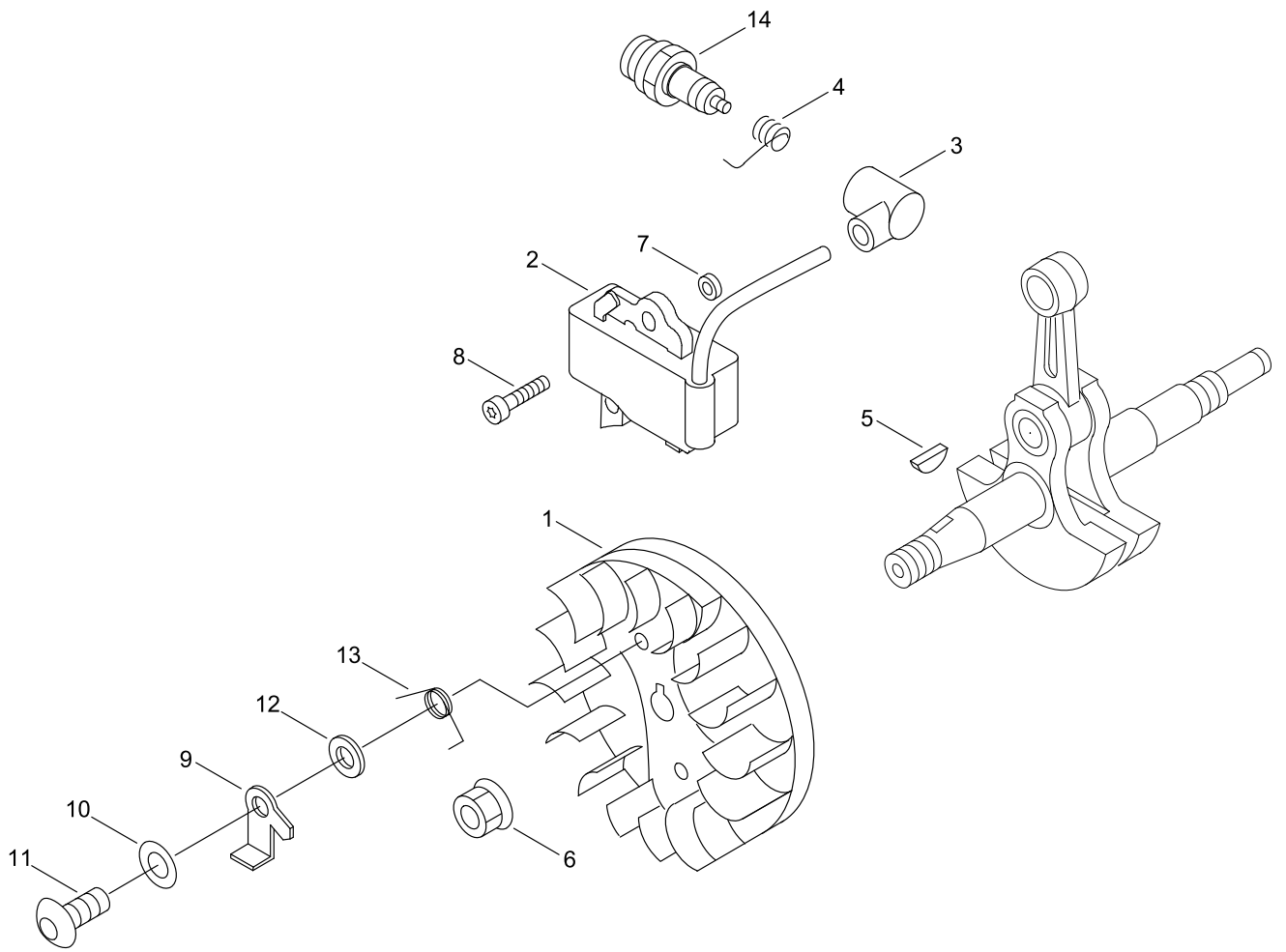
# ENGINE COVER



## ENGINE COVER

Key No.	LV (+)	Part No	Description	Qty	Standard
1		P100-004330	CYLINDER COVER ASY	1	
2	+	V341-000120	WASHER,SQUARE	2	
3	+	130338-32430	PLUG, COVER	1	
4		100927-35830	PIPE	1	3*7*10
5		C463-000100	KNOB, LATCH	2	
6		J485-000200	HINGE	2	
7		V622-000070	PIN,STRAIGHT 4	4	F4*17.8
8		V490-000400	CLIP	2	
9		C617-000500	STOPPER	2	
10		A241-000150	KNOB, CHOKE	1	
11		V130-000010	GROMMET,CHOKE	1	
12		V485-001080	LEAD	1	L235,#187,#250
13		A440-001190	SWITCH, ON OFF	1	
14		V485-001070	LEAD	1	#LA105 L255
15		P100-007300	ENGINE COVER ASY	1	
16	+	123181-39130	PUMP, PRIMER	1	
17	+	V471-001561	PIPE	1	2.4*5*80
18	+	V471-001281	PIPE	1	2.4*5*105
19	+	V225-000370	BOLT,STUD 8	2	M8
20	+	C022-000190	AUTO-OILER ASSEMBLY	1	
21	+	132115-01462	GROMMET	1	
22	+	436114-13930	VALVE, CHECK	1	
23	+	V471-002171	PIPE	1	3*5*230
24	+	A369-000420	STRAINER, FUEL	1	ES-16499
25	+	132115-44331	GROMMET, FUEL	1	
26	+	V490-001240	CLIP	1	
27	+	A356-000031	VALVE,CHECK	1	
28	+	V137-000001	GROMMET,FUEL	1	
29		V805-000180	BOLT, TORX 5	4	TB-5*30 12.9
30		V420-001790	CUSHION	2	
31		P021-005581	CAP ASY	1	
32	+	900720-00018	O-RING	1	P-18
33	+	A365-000050	CONNECTOR,CAP	1	
34		V470-000810	PIPE	1	
35		P100-001900	STRAINER, OIL	1	
36		130110-05261	PIPE 3* 6*185	1	3*6*185
37		V186-000510	JOINT,PIPE	1	
38		P021-037920	FUEL CAP ASY	1	
39	+	V581-000610	RING,O	1	P22
40	+	A365-000050	CONNECTOR,CAP	1	
41		X503-010410	LABEL,MODEL	1	CS-352ES
42		890157-39131	LABEL, SWITCH	1	
43		X524-001901	LABEL	1	
44		890631-38131	LABEL, CAUTION	1	

# MAGNETO

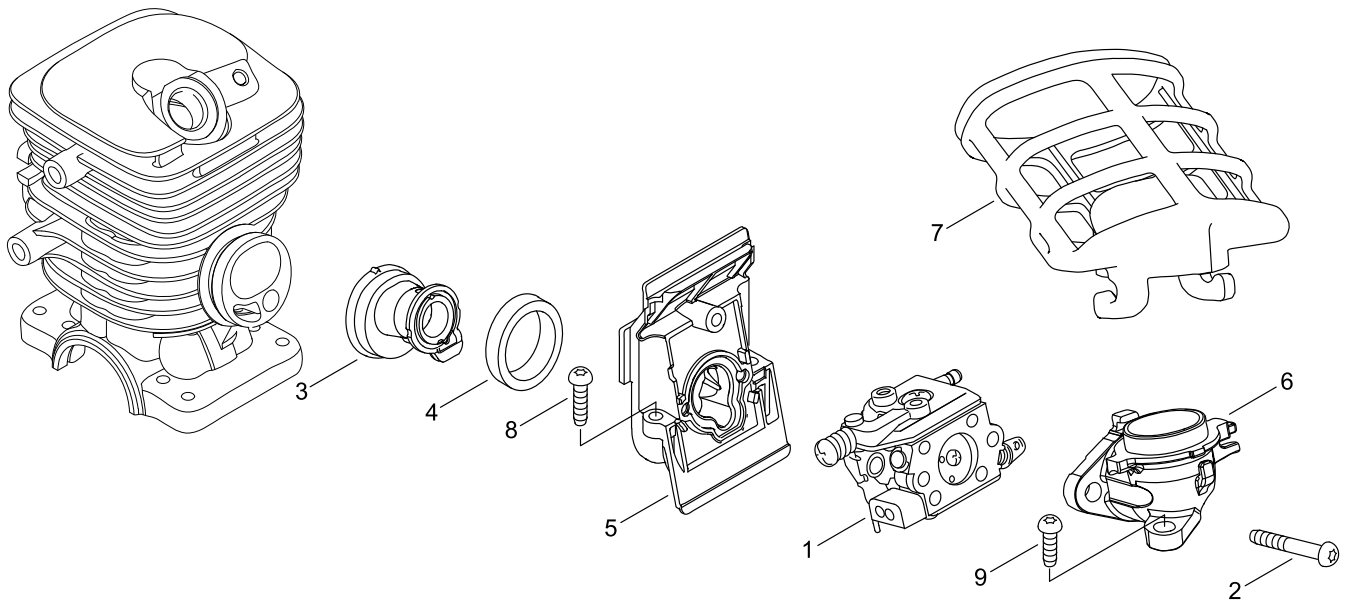


## MAGNETO

Key No.	LV (+)	Part No	Description	Qty	Standard
1		A409-000350	ROTOR, MAGNETO	1	WALBRO FW57
2		A411-001180	COIL, IGNITION	1	MBU-40
3		A427-000020	CAP, SPARK PLUG	1	
4		A426-000020	TERMINAL, SPARKPLUG	1	
5		100142-12330	KEY, WOODRUFF	1	
6		900515-00008	NUT, FLANGE 8	1	8
7		150117-16430	SPACER	2	
8		V805-000210	BOLT, TORX 5	2	TB-5*20 12.9
9		A514-000020	PAWL	2	
10		900603-00005	WASHER 5	2	5.5*12*0.8
11		V203-000080	BOLT, 5	2	5*14
12		177247-04630	SPACER, RATCHET	2	5.2*8*2.1
13		177234-35430	SPRING, RETURN	2	
14		A425-000000	SPARKPLUG	1	BPMR8Y



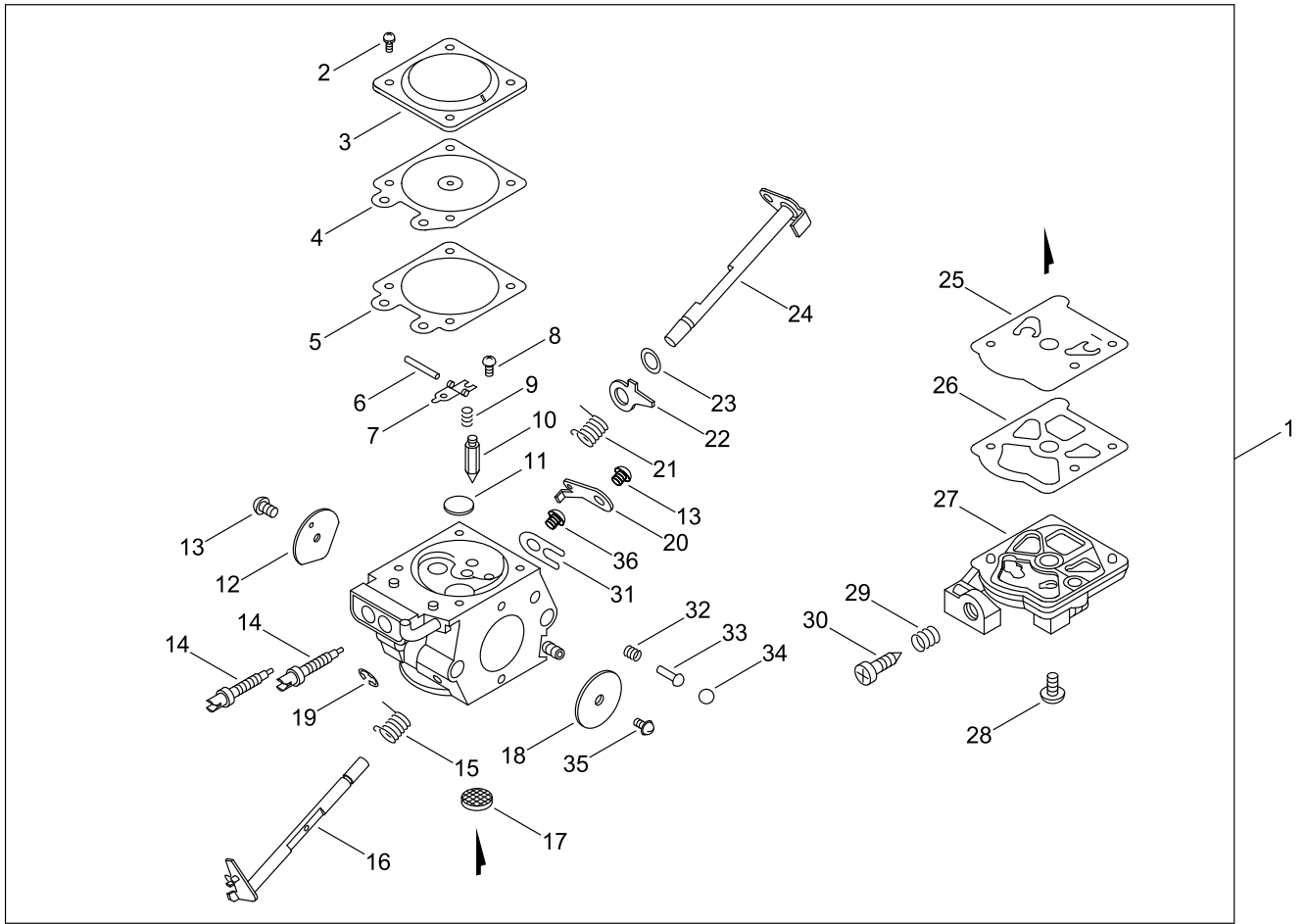
# AIR CLEANER, CARBURETOR



## AIR CLEANER, CARBURETOR

Key No.	LV (+)	Part No	Description	Qty	Standard
1		A021-003342	CARBURETOR, DIAPHRAGM	1	WT-991・
2		V805-000040	BOLT, TORX 5	2	TT-5*55 DG 10.9
3		A202-000071	BELLOWS, INTAKE	1	
4		A206-000000	HOLDER, BELLOWS	1	
5		A200-000353	INSULATOR, INTAKE	1	
6		A204-000211	ELBOW, CARBURETOR	1	
7		A226-001420	ELEMENT, AIR FILTER	1	
8		V805-000010	BOLT, TORX 5	2	TT-5*20 DG 10.9
9		V805-000000	BOLT, TORX 5	1	TT-5*16 DG 10.9

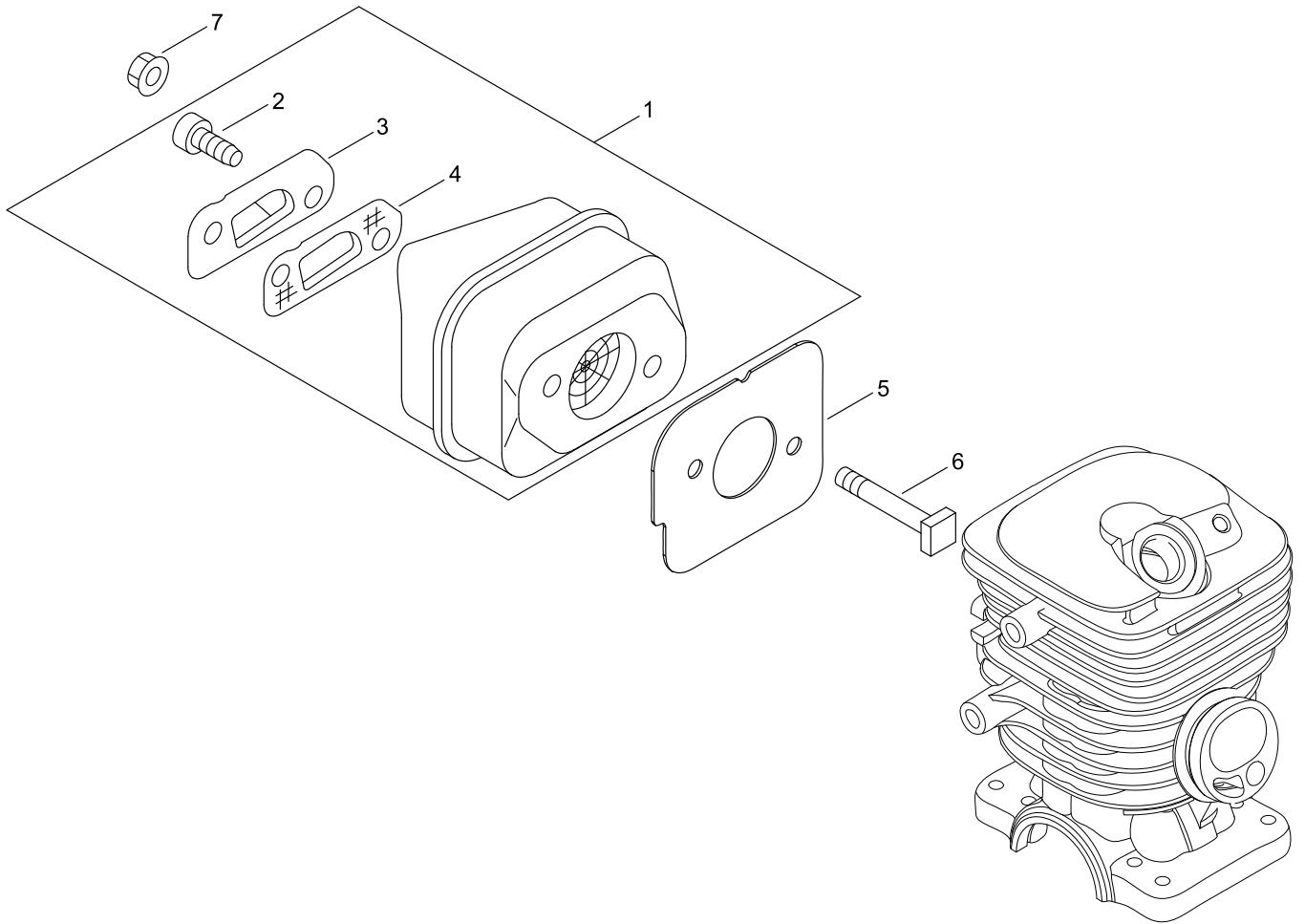
# CARBURETOR



## CARBURETOR

Key No.	LV (+)	Part No	Description	Qty	Standard
1		A021-003342	CARBURETOR, DIAPHRAGM	1	WT-991•
2	+	123130-02960	SCREW	4	
3	+	123142-03930	COVER, M. DIAPHRAGM	1	
4	+	P003-001850	DIAPHRAGM, METERING	1	
5	+	123140-03930	GASKET, M. DIAPHRAGM	1	
6	+	123138-03930	PIN, METERING LEVER	1	
7	+	123123-03930	LEVER, METERING	1	
8	+	123139-03930	SCREW, M. LEVER PIN	1	
9	+	123122-03660	SPRING, METER. LEVER	1	
10	+	123137-19830	VALVE, INLET NEEDLE	1	
11	+	123146-10631	PLUG, WELCH	1	
12	+	P003-002250	VALVE, CHOKE	1	
13	+	123114-38830	SCREW	2	
14	+	P003-004170	NEEDLE	2	
15	+	123113-37530	SPRING, THROTTLE RTN	1	
16	+	P003-002240	SHAFT ASY, THROTTLE	1	
17	+	123126-10631	SCREEN, INLET	1	
18	+	123116-23230	VALVE, THROTTLE	1	
19	+	123127-15030	RING	1	
20	+	P003-001040	LEVER THROTTLE	1	
21	+	P003-002260	SPRING	1	
22	+	P003-001510	LEVER-FAST IDLE	1	
23	+	123149-26030	WASHER	1	
24	+	P003-000150	CHOKE, SHAFT	1	
25	+	123112-15030	DIAPHRAGM, FUEL PUMP	1	
26	+	123125-15030	GASKET, FUEL PUMP	1	
27	+	123124-09520	COVER, FUEL PUMP	1	
28	+	123110-03930	SCREW, PUMP COVER	1	
29	+	123133-04260	SPRING, IDLE ADJUST	1	
30	+	123134-04260	SCREW, IDLE ADJUST	1	
31	+	123127-03930	CLIP, THROTTLE SHAFT	1	
32	+	123186-09660	SPRING, START VALVE	1	
33	+	123185-09660	PISTON ASSY	1	
34	+	123136-09660	BALL	1	
35	+	P003-002380	SCREW	1	
36	+	P003-005120	SCREW	1	

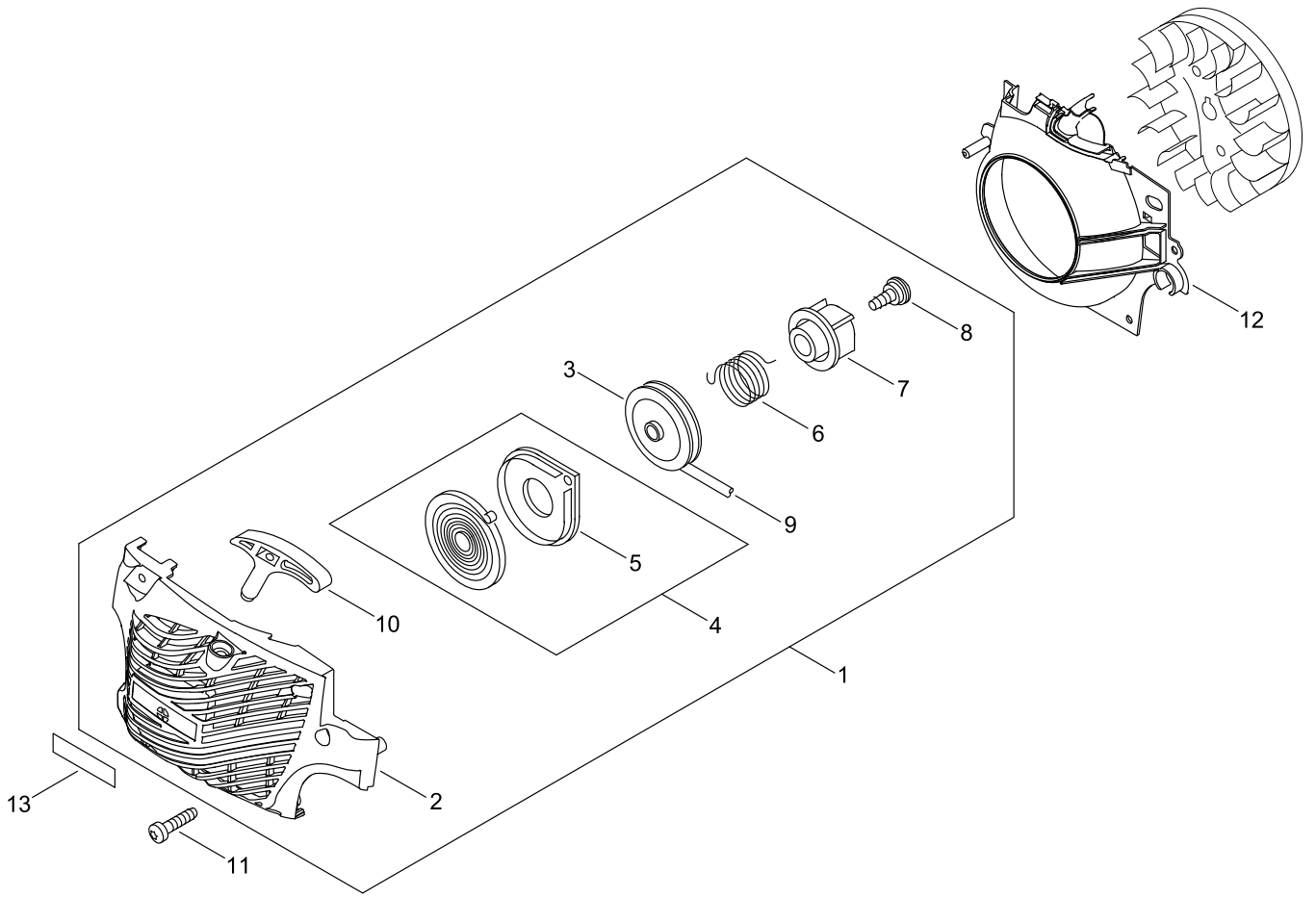
# MUFFLER



## MUFFLER

Key No.	LV (+)	Part No	Description	Qty	Standard
1		P100-004320	MUFFLER ASY	1	
2	+	V804-000030	BOLT, TORX 4	2	TB-4*8 10.9
3	+	A313-001120	GUIDE, EXHAUST	1	ID#1800
4	+	A310-000060	SCREEN, ARRESTOR	1	
5		V104-000732	GASKET,EXHAUST	1	
6		V203-000120	BOLT,5	2	L=60
7		900516-00005	NUT, FLANGE	2	5

# RECOIL STARTER

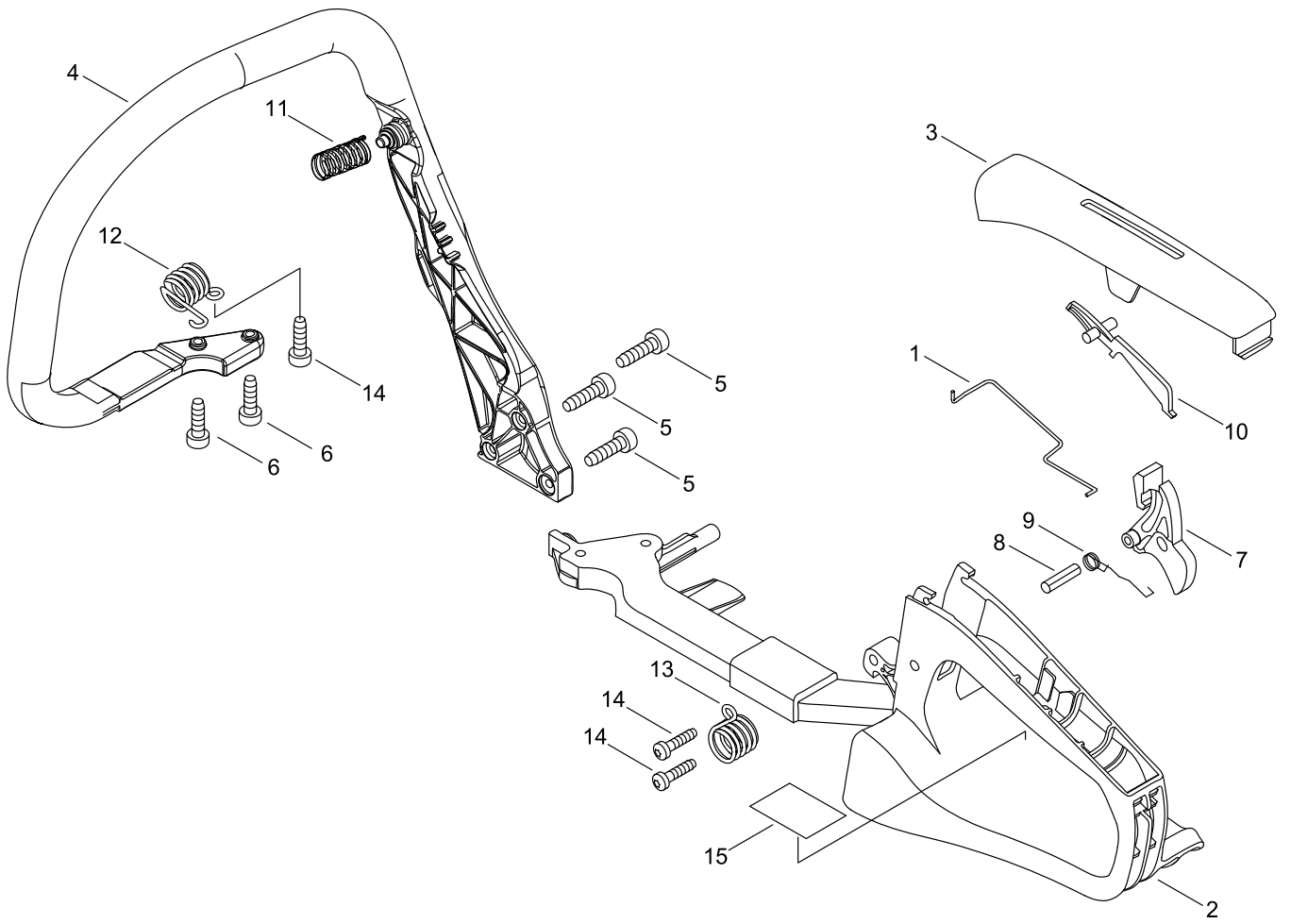


## RECOIL STARTER

Key No.	LV (+)	Part No	Description	Qty	Standard
1		A051-002741	STARTER,RECOIL ASY	1	ASSY EMC
2	+	P022-039030	STARTER CASE	1	
3	+	P022-039040	DRUM, STARTER	1	
4	+	P022-039050	SPRING KIT, REWIND	1	
5	++	P022-033280	SPRING CASE	1	
6	+	V452-001320	SPRING,TORSION	1	
7	+	P022-039060	PLATE, CAM	1	
8	+	177236-61830	SCREW	1	
9	+	P022-035830	ROPE, STARTER	1	
10	+	P022-035820	GRIP, STARTER	1	
11		V805-000010	BOLT, TORX 5	4	TT-5*20 DG 10.9
12		A172-000830	COVER,FAN	1	
13		X502-000670	LABEL,ECHO	1	



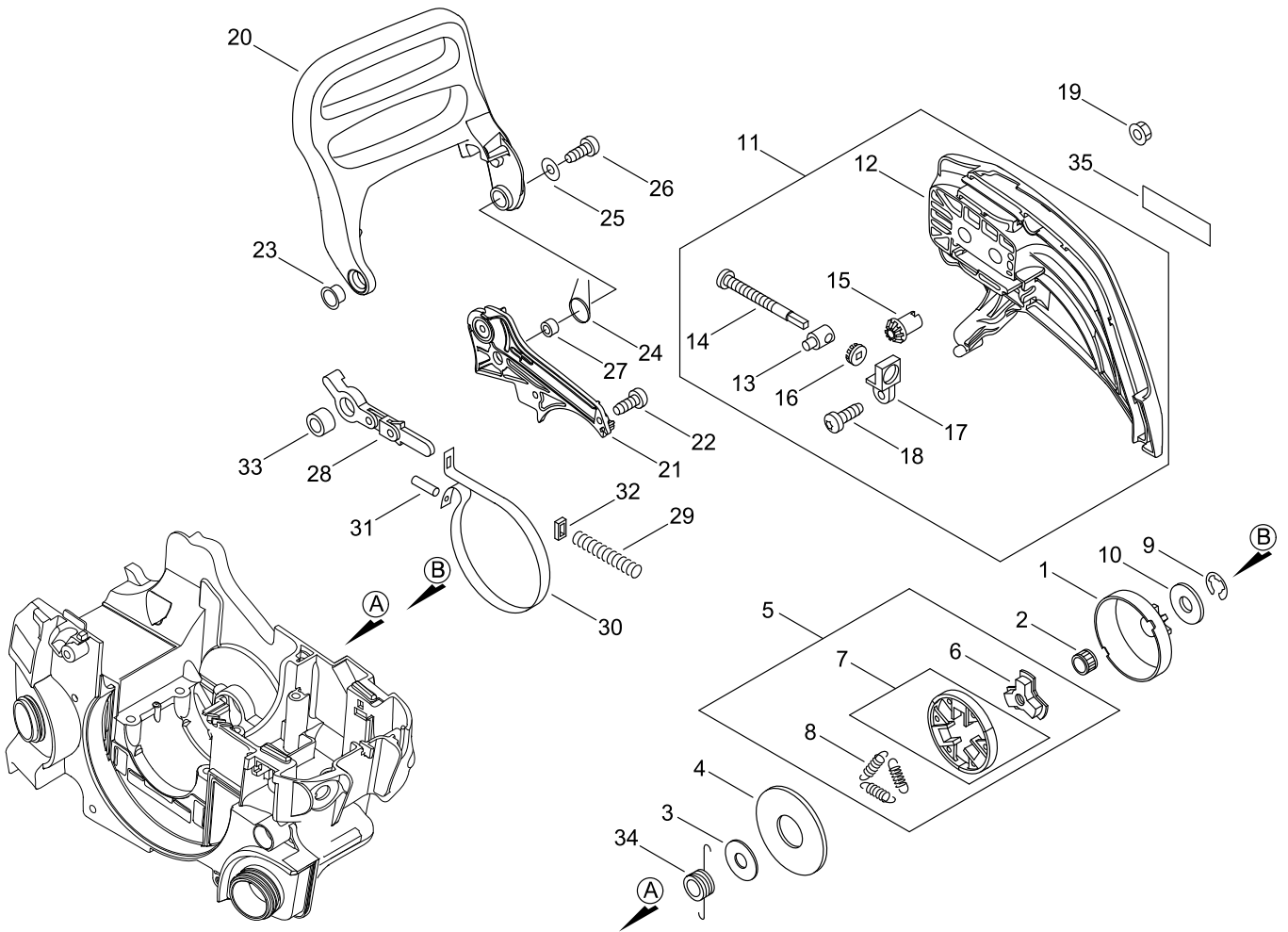
# HANDLE



## HANDLE

Key No.	LV (+)	Part No	Description	Qty	Standard
1		C454-000160	ROD, THROTTLE	1	
2		C410-000450	HANDLE, REAR	1	
3		C411-000041	LID,HANDLE	1	
4		C400-001030	HANDLE, FRONT	1	
5		V805-000010	BOLT, TORX 5	3	TT-5*20 DG 10.9
6		V805-000000	BOLT, TORX 5	2	TT-5*16 DG 10.9
7		C450-000213	CONTROL, THROTTLE	1	
8		900345-40025	PIN, SPRING 4*25SUS	1	4*25SUS
9		V452-000260	SPRING,TORSION	1	
10		C460-000072	LOCKOUT, THROTTLE	1	
11		V450-001610	SPRING,COMPRESSION	1	
12		V450-000710	SPRING,COMPRESSION	1	
13		V450-001620	SPRING,COMPRESSION	1	
14		V805-000000	BOLT, TORX 5	3	TT-5*16 DG 10.9
15		890345-39231	LABEL,CAUTION	1	

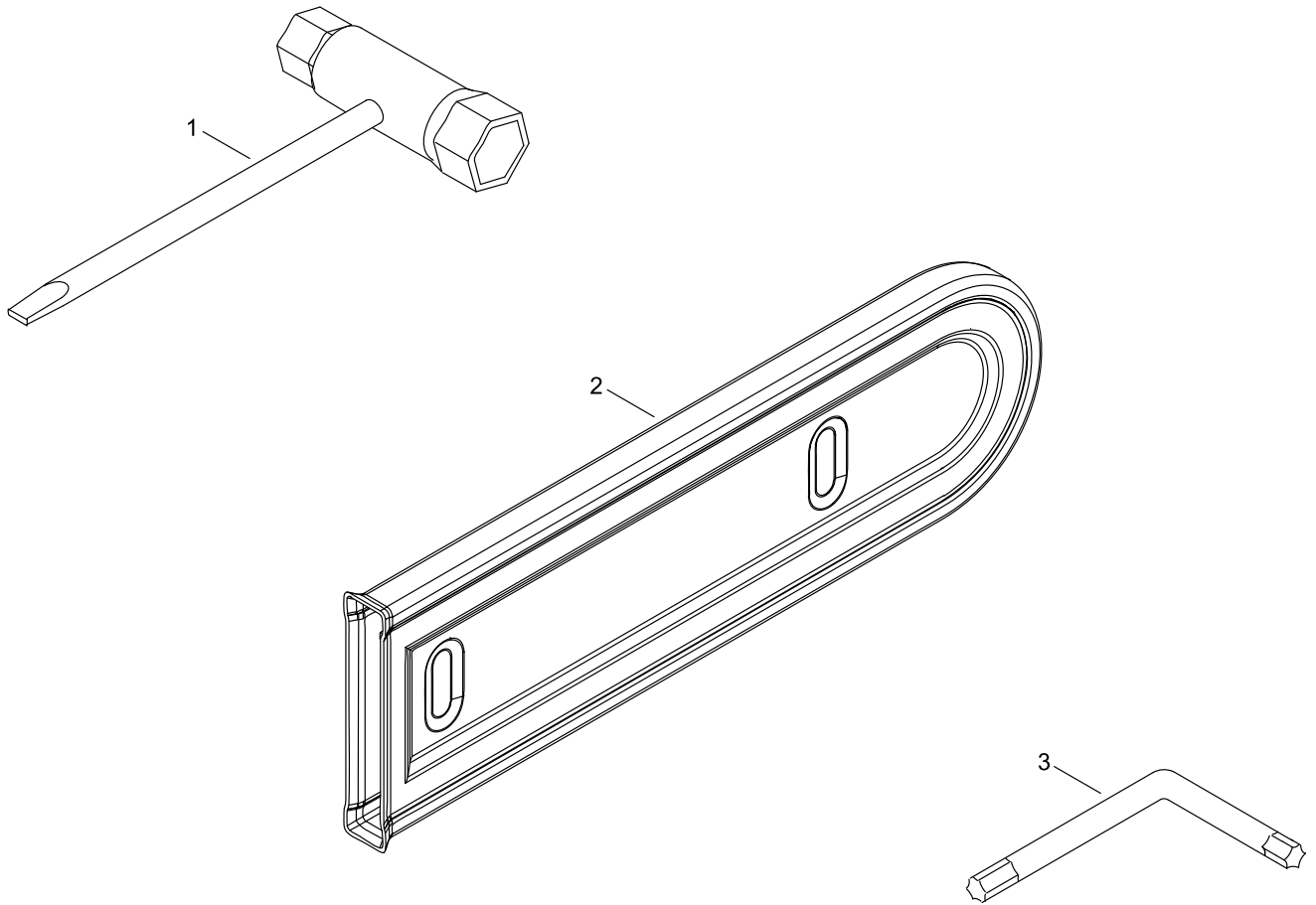
# CHAIN BRAKE



## CHAIN BRAKE

Key No.	LV (+)	Part No	Description	Qty	Standard
1		A556-000543	DRUM, CLUTCH	1	
2		V553-000150	BEARING,NEEDLE 8	1	
3		A551-000080	PLATE, CLUTCH	1	
4		A551-000140	PLATE, CLUTCH	1	
5		A056-000211	CLUTCH ASY	1	
6	+	A552-000100	HUB, CLUTCH	1	
7	+	P021-005811	CLUTCH SHOE SET	1	
8	+	V451-000470	SPRING,TENSION	3	
9		V583-000120	RING	1	
10		100143-19830	WASHER	1	8.2*31*0.8
11		P021-015112	GUARD,SPROCKET KIT	1	
12	+	C300-000402	GUARD, SPROCKET	1	
13	+	C309-000030	TENSIONER,CHAIN	1	
14	+	V203-000110	BOLT,5	1	
15	+	V651-000001	GEAR,BEVEL	1	
16	+	V651-000011	GEAR,BEVEL	1	
17	+	V355-000140	COLLAR,8	1	
18	+	V804-000000	BOLT, TORX 4	1	TT-4*12 DG 10.9
19		V265-000200	NUT	2	
20		C320-000173	LEVER, BRAKE	1	
21		C345-000271	COVER,BRAKE	1	
22		V804-000000	BOLT, TORX 4	3	TT-4*12 DG 10.9
23		V356-000430	COLLAR,10	1	
24		V452-000250	SPRING,TORSION	1	
25		177214-03930	WASHER	1	
26		V804-000020	BOLT, TORX 4	1	TT-4*20 DG 10.9
27		433116-35430	SPACER 8	1	8*12*9
28		C334-000100	CONNECTOR, BRAKE	1	
29		V450-000070	SPRING,COMPRESSION	1	
30		C328-000030	BAND,BRAKE	1	
31		93050-30098	ROLLER	1	F3*9.8
32		V376-000450	SPACER	1	
33		433116-35430	SPACER 8	1	8*12*9
34		V652-000040	GEAR,WORM	1	
35		X502-000340	LABEL,ECHO	1	ECHO(WHITE)





# ACCESSORIES



## ACCESSORIES

Key No.	LV (+)	Part No	Description	Qty	Standard
1		X602-000080	TOOL,WRENCH	1	13*19 L180
2		X490-000510	SCABBARD,CHAIN	1	350
3		X605-000170	TOOL,L WRENCH	1	

## GUIDE BAR, CHAIN

Pitch ピッチ	Gauge ゲージ	Length 長さ	Guide Bar ガイドバー		Saw Chain ソーチェン		Hard Nose ハード ノーズ 	Sprocket Nose スプロケット ノーズ 
			Key No	Type 形式	Key No	Type 形式		
3/8 9.53	0.050 1.27	30	A1	C30S91-47ML- EC	A2	91VXL-47E		
3/8 9.53	0.050 1.27	35	B1	C35S91-53ML- EC	B2	91VXL-53E		

## GUIDE BAR, CHAIN

Key No.	LV (+)	Part No	Description	Qty	Standard
A1		X122-000341	BAR,GUIDE 30	1	C30S91-47ML-EC
A2		X222-000130	CHAIN,SAW	1	91VXL-47E
B1		X123-000551	BAR,GUIDE 35	1	C35S91-53ML-EC
B2		X223-000080	CHAIN,SAW	1	91VXL-53E



# NUMERICAL PARTS INDEX

Part No	Part description	Page	Part No	Part description	Page	Part No	Part description	Page
100013-15330	PIN, PISTON	2	890631-38131	LABEL, CAUTION	4	C410-000450	HANDLE, REAR	16
100014-11520	SPACER, PISTON PIN	2	900345-40025	PIN, SPRING 4*25SUS	16	C411-000041	LID,HANDLE	16
100015-04630	CIRCLIP, PISTON PIN	2	900515-00008	NUT, FLANGE 8	6	C450-000213	CONTROL, THROTTLE	16
100142-12330	KEY, WOODRUFF	6	900516-00005	NUT, FLANGE	12	C454-000160	ROD, THROTTLE	16
100143-19830	WASHER	18	900603-00005	WASHER 5	6	C460-000072	LOCKOUT, THROTTLE	16
100927-35830	PIPE	4	900720-00018	O-RING	4	C463-000100	KNOB, LATCH	4
123110-03930	SCREW, PUMP COVER	10	93050-30098	ROLLER	18	C617-000500	STOPPER	4
123112-15030	DIAPHRAGM, FUEL PUMP	10	94035-36201	BEARING, BALL	2	J485-000200	HINGE	4
123113-37530	SPRING, THROTTLE RTN	10	A021-003342	CARBURETOR, DIAPHRAGM	8	P003-000150	CHOKE, SHAFT	10
123114-38830	SCREW	10	A021-003342	CARBURETOR, DIAPHRAGM	10	P003-001040	LEVER THROTTLE	10
123116-23230	VALVE, THROTTLE	10	A051-002741	STARTER,RECOIL ASY	14	P003-001510	LEVER-FAST IDLE	10
123122-03660	SPRING, METER. LEVER	10	A056-000211	CLUTCH ASY	18	P003-001850	DIAPHRAGM, METERING	10
123123-03930	LEVER, METERING	10	A101-000580	RING, PISTON	2	P003-002240	SHAFT ASY,THROTTLE	10
123124-09520	COVER, FUEL PUMP	10	A172-000830	COVER,FAN	14	P003-002250	VALVE, CHOKE	10
123125-15030	GASKET, FUEL PUMP	10	A200-000353	INSULATOR, INTAKE	8	P003-002260	SPRING	10
123126-10631	SCREEN, INLET	10	A202-000071	BELLOWS, INTAKE	8	P003-002380	SCREW	10
123127-03930	CLIP, THROTTLE SHAFT	10	A204-000211	ELBOW, CARBURETOR	8	P003-004170	NEEDLE	10
123127-15030	RING	10	A206-000000	HOLDER, BELLOWS	8	P003-005120	SCREW	10
123130-02960	SCREW	10	A226-001420	ELEMENT, AIR FILTER	8	P021-005581	CAP ASY	4
123133-04260	SPRING, IDLE ADJUST	10	A241-000150	KNOB, CHOKE	4	P021-005811	CLUTCH SHOE SET	18
123134-04260	SCREW, IDLE ADJUST	10	A310-000060	SCREEN, ARRESTOR	12	P021-015072	CRANKSHAFT,ASSY	2
123136-09660	BALL	10	A313-001120	GUIDE, EXHAUST	12	P021-015112	GUARD,SPROCKET KIT	18
123137-19830	VALVE, INLET NEEDLE	10	A356-000031	VALVE,CHECK	4	P021-035190	CRANKCASE KIT	2
123138-03930	PIN, METERING LEVER	10	A365-000050	CONNECTOR,CAP	4	P021-035201	PISTON KIT	2
123139-03930	SCREW, M. LEVER PIN	10	A369-000420	STRAINER, FUEL	4	P021-037920	FUEL CAP ASY	4
123140-03930	GASKET, M. DIAPHRAGM	10	A409-000350	ROTOR, MAGNETO	6	P022-033280	SPRING CASE	14
123142-03930	COVER, M. DIAPHRAGM	10	A411-001180	COIL, IGNITION	6	P022-035820	GRIP, STARTER	14
123146-10631	PLUG, WELCH	10	A425-000000	SPARKPLUG	6	P022-035830	ROPE, STARTER	14
123149-26030	WASHER	10	A426-000020	TERMINAL,SPARKPLUG	6	P022-039030	STARTER CASE	14
123181-39130	PUMP, PRIMER	4	A427-000020	CAP,SPARK PLUG	6	P022-039040	DRUM, STARTER	14
123185-09660	PISTON ASSY	10	A440-001190	SWITCH, ON OFF	4	P022-039050	SPRING KIT, REWIND	14
123186-09660	SPRING, START VALVE	10	A514-000020	PAWL	6	P022-039060	PLATE, CAM	14
130110-05261	PIPE 3* 6*185	4	A551-000080	PLATE, CLUTCH	18	P100-001900	STRAINER, OIL	4
130338-32430	PLUG, COVER	4	A551-000140	PLATE, CLUTCH	18	P100-004320	MUFFLER ASY	12
132115-01462	GROMMET	4	A552-000100	HUB, CLUTCH	18	P100-004330	CYLINDER COVER ASY	4
132115-44331	GROMMET, FUEL	4	A556-000543	DRUM, CLUTCH	18	P100-007300	ENGINE COVER ASY	4
150117-16430	SPACER	6	C022-000190	AUTO-OILER ASSEMBLY	4	V104-000732	GASKET,EXHAUST	12
177214-03930	WASHER	18	C300-000402	GUARD, SPROCKET	18	V130-000010	GROMMET,CHOKE	4
177234-35430	SPRING, RETURN	6	C309-000030	TENSIONER,CHAIN	18	V137-000001	GROMMET,FUEL	4
177236-61830	SCREW	14	C320-000173	LEVER, BRAKE	18	V186-000510	JOINT,PIPE	4
177247-04630	SPACER, RATCHET	6	C328-000030	BAND,BRAKE	18	V203-000080	BOLT,5	6
433116-35430	SPACER 8	18	C334-000100	CONNECTOR, BRAKE	18	V203-000110	BOLT,5	18
436114-13930	VALVE, CHECK	4	C345-000271	COVER,BRAKE	18	V203-000120	BOLT,5	12
890157-39131	LABEL, SWITCH	4	C400-001030	HANDLE, FRONT	16	V225-000370	BOLT,STUD 8	4
890345-39231	LABEL,CAUTION	16				V265-000200	NUT	18

# NUMERICAL PARTS INDEX

Part No	Part description	Page	Part No	Part description	Page
V341-000120	WASHER,SQUARE	4	X123-000551	BAR,GUIDE 35	22
V355-000140	COLLAR,8	18	X222-000130	CHAIN,SAW	22
V356-000430	COLLAR,10	18	X223-000080	CHAIN,SAW	22
V376-000450	SPACER	18	X490-000510	SCABBARD,CHAIN	20
V420-001790	CUSHION	4	X502-000340	LABEL,ECHO	18
V450-000070	SPRING,COMPRESSION	18	X502-000670	LABEL,ECHO	14
V450-000710	SPRING,COMPRESSION	16	X503-010410	LABEL,MODEL	4
V450-001610	SPRING,COMPRESSION	16	X524-001901	LABEL	4
V450-001620	SPRING,COMPRESSION	16	X602-000080	TOOL,WRENCH	20
V451-000470	SPRING,TENSION	18	X605-000170	TOOL,L WRENCH	20
V452-000250	SPRING,TORSION	18			
V452-000260	SPRING,TORSION	16			
V452-001320	SPRING,TORSION	14			
V456-000240	HOLDER,SPRING	2			
V470-000810	PIPE	4			
V471-001281	PIPE	4			
V471-001561	PIPE	4			
V471-002171	PIPE	4			
V485-001070	LEAD	4			
V485-001080	LEAD	4			
V490-000400	CLIP	4			
V490-001240	CLIP	4			
V505-000011	SEAL,OIL 12	2			
V553-000060	BEARING,NEEDLE 8	2			
V553-000150	BEARING,NEEDLE 8	18			
V581-000610	RING,O	4			
V583-000120	RING	18			
V622-000070	PIN,STRAIGHT 4	4			
V651-000001	GEAR,BEVEL	18			
V651-000011	GEAR,BEVEL	18			
V652-000040	GEAR,WORM	18			
V804-000000	BOLT, TORX 4	18			
V804-000020	BOLT, TORX 4	18			
V804-000030	BOLT, TORX 4	12			
V805-000000	BOLT, TORX 5	8			
V805-000000	BOLT, TORX 5	16			
V805-000010	BOLT, TORX 5	8			
V805-000010	BOLT, TORX 5	14			
V805-000010	BOLT, TORX 5	16			
V805-000040	BOLT, TORX 5	8			
V805-000140	BOLT, TORX 5	2			
V805-000180	BOLT, TORX 5	4			
V805-000210	BOLT, TORX 5	6			
V805-000220	BOLT, TORX 5	2			
X122-000341	BAR,GUIDE 30	22			