

CS-420ES

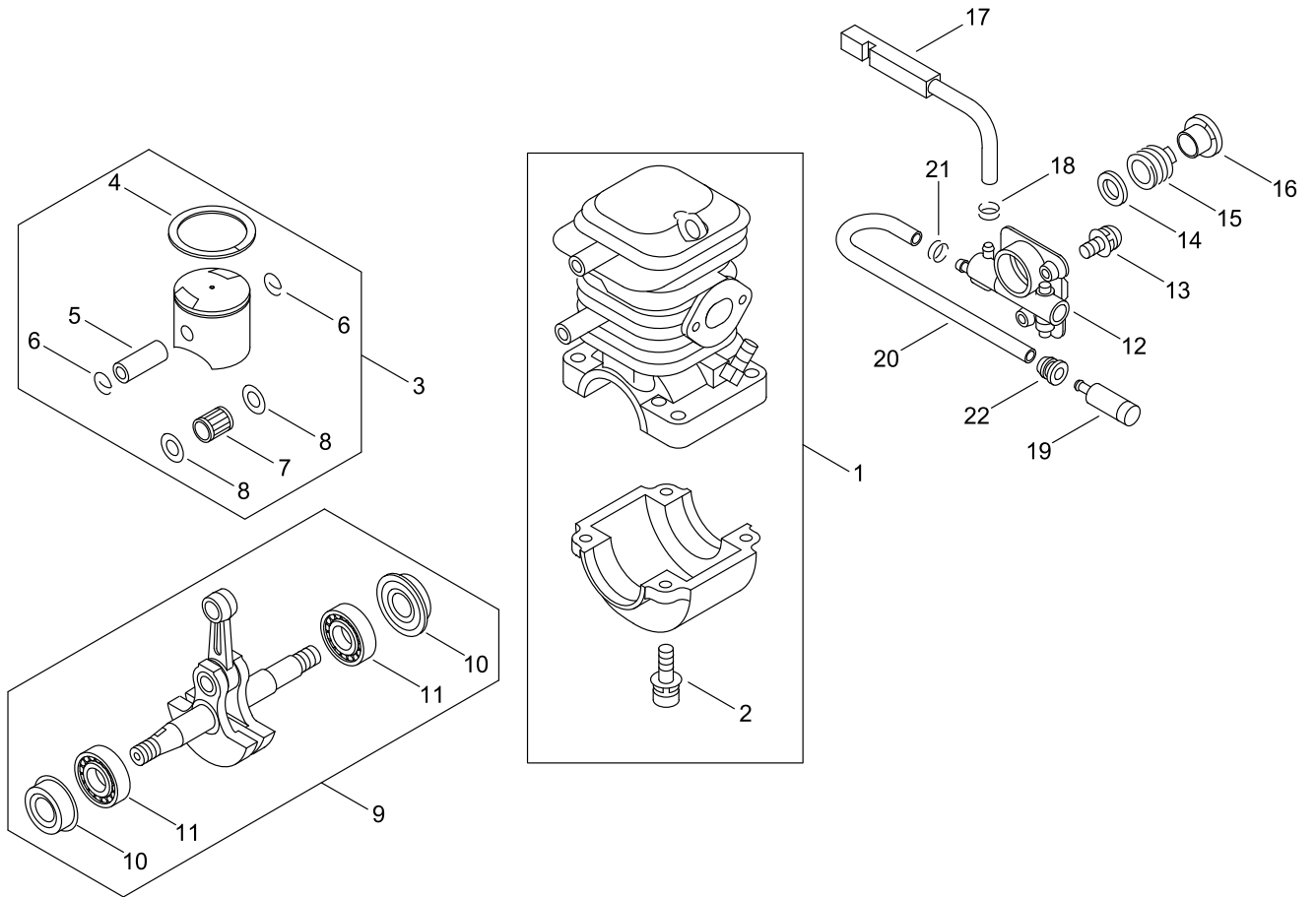
Serial number: 38000001-38999999

Last update date: 03/26/2020

TABLE OF CONTENTS

CYLINDER, PISTON, CRANKSHAFT.....	1
ENGINE COVER.....	3
MAGNETO.....	5
AIR CLEANER, CARBURETOR.....	7
CARBURETOR.....	9
MUFFLER.....	11
RECOIL STARTER.....	13
HANDLE.....	15
CHAIN BRAKE.....	17
ACCESSORIES.....	19
OILER.....	21
GUIDE BAR, CHAIN.....	23

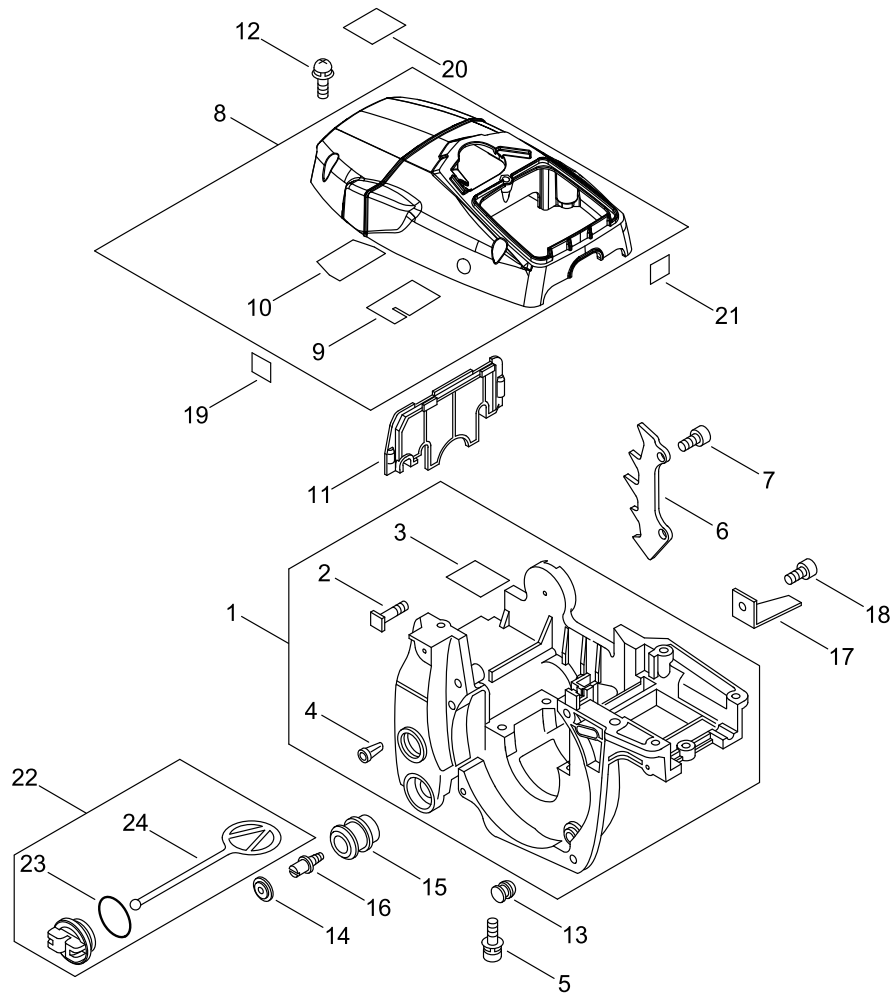
CYLINDER, PISTON, CRANKSHAFT



CYLINDER, PISTON, CRANKSHAFT

Key No.	LV (+)	Part No	Description	Qty	Standard
1		P021-017360	CRANKCASE SET	1	
2	+	900162-05022	BOLT, H.S. 5*22	4	5*22 W,SW
3		P021-036520	PISTON KIT	1	
4	+	A101-000160	RING, PISTON	1	40*B1.5*T1.8
5	+	V607-000000	PIN,ENG 9	1	
6	+	100015-03931	CIRCLIP, PISTON PIN	2	
7	+	100012-16131	BEARING, NEEDLE	1	
8	+	100014-53630	SPACER, PISTON PIN	2	
9		P021-012141	CRANKSHAFT ASY	1	
10	+	V505-000011	SEAL,OIL 12	2	12*32*5.5
11	+	900888-36201	BEARING, BALL 6201	2	6201
12		C022-000020	AUTO-OILER ASSEMBLY	1	OP-7
13		900238-04012	SCREW 4*12	2	4*12
14		V308-000030	WASHER,CIRCULAR 11	1	10.5*17.4*1.8
15		V652-000030	GEAR,WORM	1	
16		V356-000390	COLLAR,10	1	
17		437210-39932	PIPE	1	3.2*6.5吐出側
18		V490-001230	CLIP	1	
19		P100-001900	STRAINER, OIL	1	
20		437210-35431	PIPE, OIL	1	屈曲形4*6.5*
21		V490-001230	CLIP	1	
22		132115-12330	GROMMET	1	

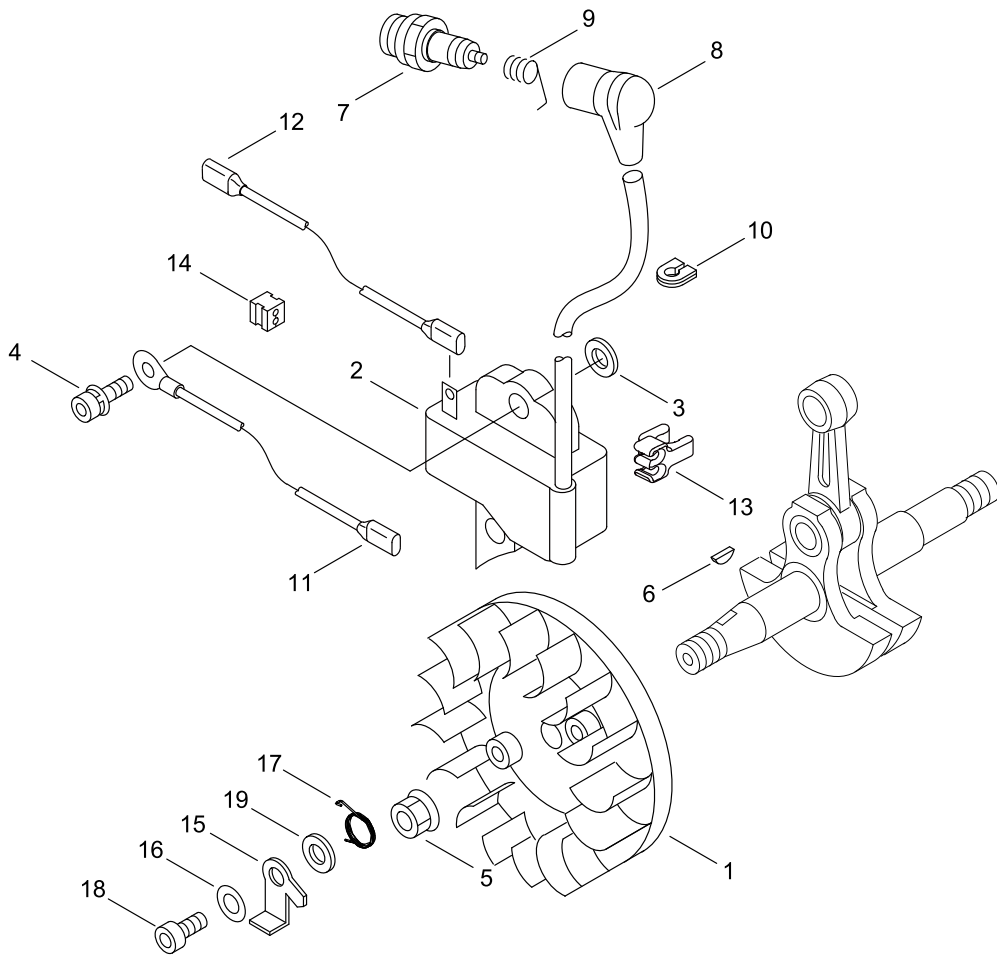
ENGINE COVER



ENGINE COVER

Key No.	LV (+)	Part No	Description	Qty	Standard
1		P021-050250	COVER ENGINE ASY	1	
2	+	433011-19831	STUD, GUIDE BAR	2	
3	+	V341-000050	WASHER,SQUARE	1	
4	+	436114-13930	VALVE, CHECK	1	
5		900162-05030	BOLT HSH	4	5*30
6		C304-000010	SPIKED	1	
7		V203-002180	BOLT,5	2	H.S.H 5*16
8		P021-049190	CYLINDER COVER ASY	1	
9	+	V341-000060	WASHER,SQUARE	1	
10	+	V341-000070	WASHER,SQUARE	1	
11		A209-000000	PLATE,INSULATOR	1	
12		900238-05020	SCREW	3	5*20
13		V420-001250	CUSHION	2	
14		100918-15130	CAP	2	
15		100910-60030	CUSHION	2	
16		100915-33930	SCREW	2	
17		C310-000000	CATCHER, CHAIN	1	
18		V203-002180	BOLT,5	1	H.S.H 5*16
19		890631-38131	LABEL, CAUTION	1	
20		890345-39231	LABEL,CAUTION	1	
21		X524-001901	LABEL	1	
22		P021-007630	CAP ASY,TANK	1	
23	+	900721-00025	O-RING	1	G-25
24	+	A365-000050	CONNECTOR,CAP	1	

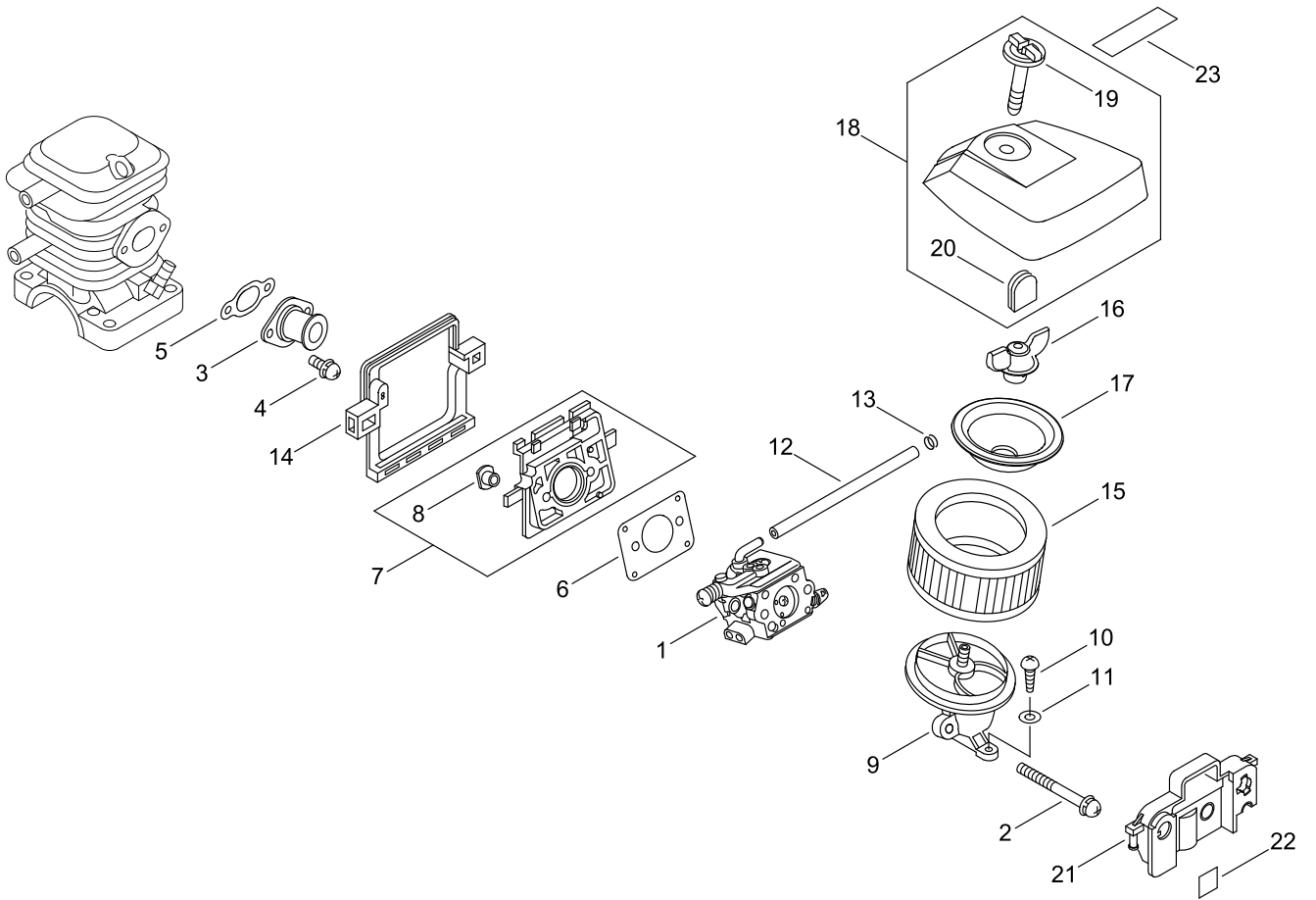
MAGNETO



MAGNETO

Key No.	LV (+)	Part No	Description	Qty	Standard
1		A409-000272	ROTOR, MAGNETO	1	FW-46
2		A411-000264	COIL, IGNITION	1	
3		150117-16430	SPACER	2	
4		900162-05020	BOLT, H.S. 5*20	2	5*20 W,SW
5		900515-00008	NUT, FLANGE 8	1	8
6		100142-12330	KEY, WOODRUFF	1	
7		A425-000000	SPARKPLUG	1	BPMR8Y
8		A427-000013	CAP,SPARK PLUG	1	
9		A426-000010	TERMINAL,SPARKPLUG	1	
10		V135-000010	GROMMET,HT CORD	1	
11		V485-000620	LEAD	1	L=140
12		V485-000680	LEAD	1	
13		V490-000310	CLIP	1	
14		150114-04920	BUSHING	1	
15		A514-000050	PAWL	2	
16		900603-00005	WASHER 5	2	5.5*12*0.8
17		177234-35430	SPRING, RETURN	2	
18		V203-000090	BOLT,5	2	M5*14
19		177247-04630	SPACER, RATCHET	2	5.2*8*2.1

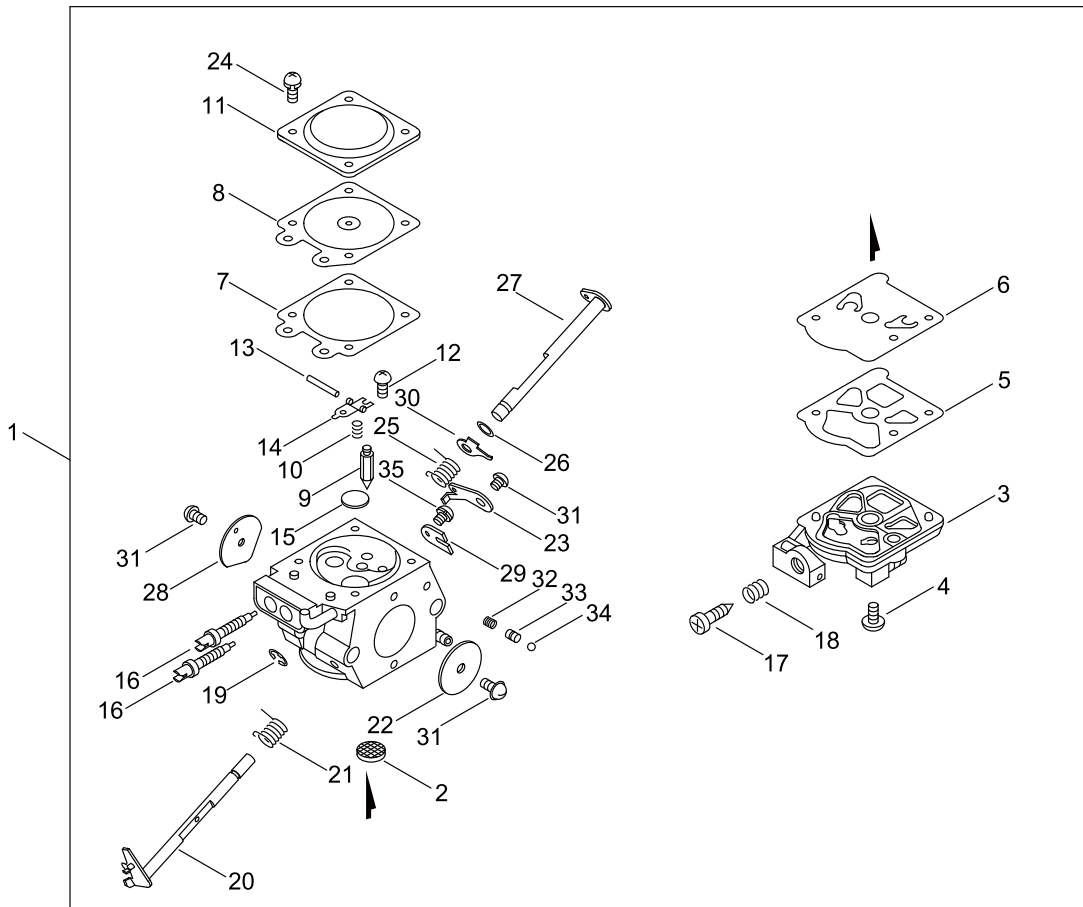
AIR CLEANER, CARBURETOR



AIR CLEANER, CARBURETOR

Key No.	LV (+)	Part No	Description	Qty	Standard
1		A021-001900	CARBURETOR, DIAPHRAGM	1	
2		900238-05050	SCREW 5*50	2	5*50
3		A202-000060	BELLOWS, INTAKE	1	
4		900238-05014	SCREW 5*14	2	5*14
5		V103-000290	GASKET,INTAKE	1	NP4200 T1.0
6		V103-000280	GASKET,INTAKE	1	NP4200 T1.0
7		130007-39932	INSULATOR	1	
8	+	130020-33330	NUT	2	
9		130301-39935	ADAPTER, INTAKE	1	ID #1230
10		900253-05020	SCREW 5*20	1	5*20
11		900600-00005	WASHER 5	1	5
12		V471-001601	PIPE	1	2.4*6*105
13		V490-001240	CLIP	1	
14		V420-001420	CUSHION	1	
15		130300-39730	CLEANER ASM., AIR	1	
16		A238-000070	HOLDER, ELEMENT	1	
17		A238-000080	HOLDER, ELEMENT	1	
18		P100-005990	CLEANER COVER ASY	1	
19	+	A235-000020	KNOB,CLEANER LID	1	
20	+	130338-32430	PLUG, COVER	1	
21		A439-000145	BRACKET,SWITCH	1	
22		890157-39131	LABEL, SWITCH	1	
23		X503-008450	LABEL,MODEL	1	CS-420ES

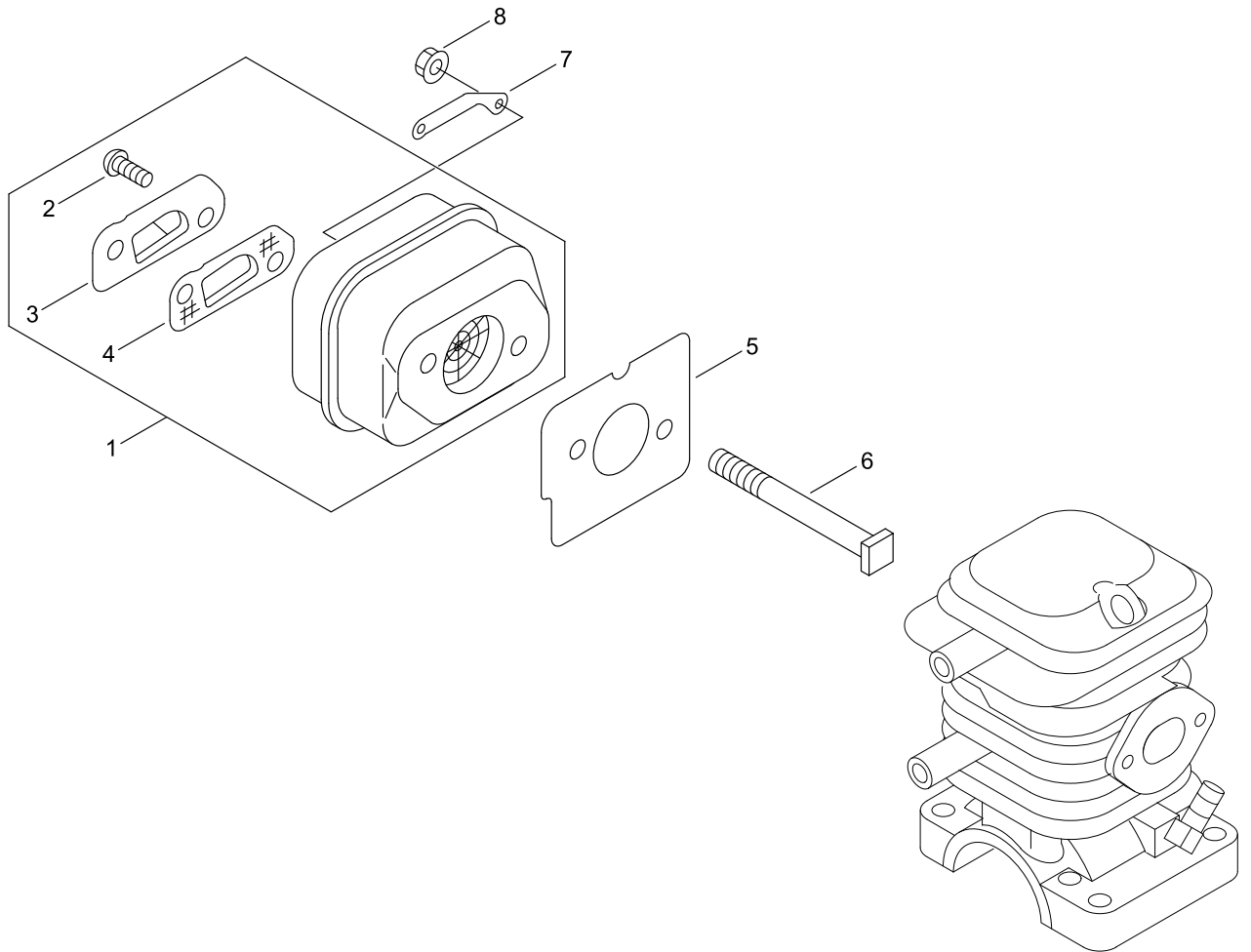
CARBURETOR



CARBURETOR

Key No.	LV (+)	Part No	Description	Qty	Standard
1		A021-001900	CARBURETOR, DIAPHRAGM	1	
2	+	123126-10631	SCREEN, INLET	1	
3	+	P003-003930	COVER, FUEL PUMP	1	
4	+	123110-03930	SCREW, PUMP COVER	1	
5	+	123125-15030	GASKET, FUEL PUMP	1	
6	+	123112-15030	DIAPHRAGM, FUEL PUMP	1	
7	+	123140-03930	GASKET, M. DIAPHRAGM	1	
8	+	P003-001850	DIAPHRAGM, METERING	1	
9	+	123137-19830	VALVE, INLET NEEDLE	1	
10	+	123122-39330	SPRING, METER. LEVER	1	
11	+	123142-03930	COVER, M. DIAPHRAGM	1	
12	+	123139-03930	SCREW, M. LEVER PIN	1	
13	+	123138-03930	PIN, METERING LEVER	1	
14	+	123123-03930	LEVER, METERING	1	
15	+	123146-10631	PLUG, WELCH	1	
16	+	P003-002270	NEEDLE	2	
17	+	123134-04260	SCREW, IDLE ADJUST	1	
18	+	123133-04260	SPRING, IDLE ADJUST	1	
19	+	123127-15030	RING	1	
20	+	P003-003960	SHAFT ASY, THROTTLE	1	
21	+	123113-37530	SPRING, THROTTLE RTN	1	
22	+	123116-10530	VALVE, THROTTLE	1	
23	+	P003-001780	LEVER, THROTTLE	1	
24	+	123130-02960	SCREW	4	
25	+	P003-002260	SPRING	1	
26	+	123149-26030	WASHER	1	
27	+	P003-000150	CHOKE, SHAFT	1	
28	+	P003-001790	VALVE, CHOKE	1	
29	+	123127-03930	CLIP, THROTTLE SHAFT	1	
30	+	P003-001510	LEVER-FAST IDLE	1	
31	+	123114-38830	SCREW	3	
32	+	123186-09660	SPRING, START VALVE	1	
33	+	123185-09660	PISTON ASSY	1	
34	+	123136-09660	BALL	1	
35	+	P003-005120	SCREW	1	

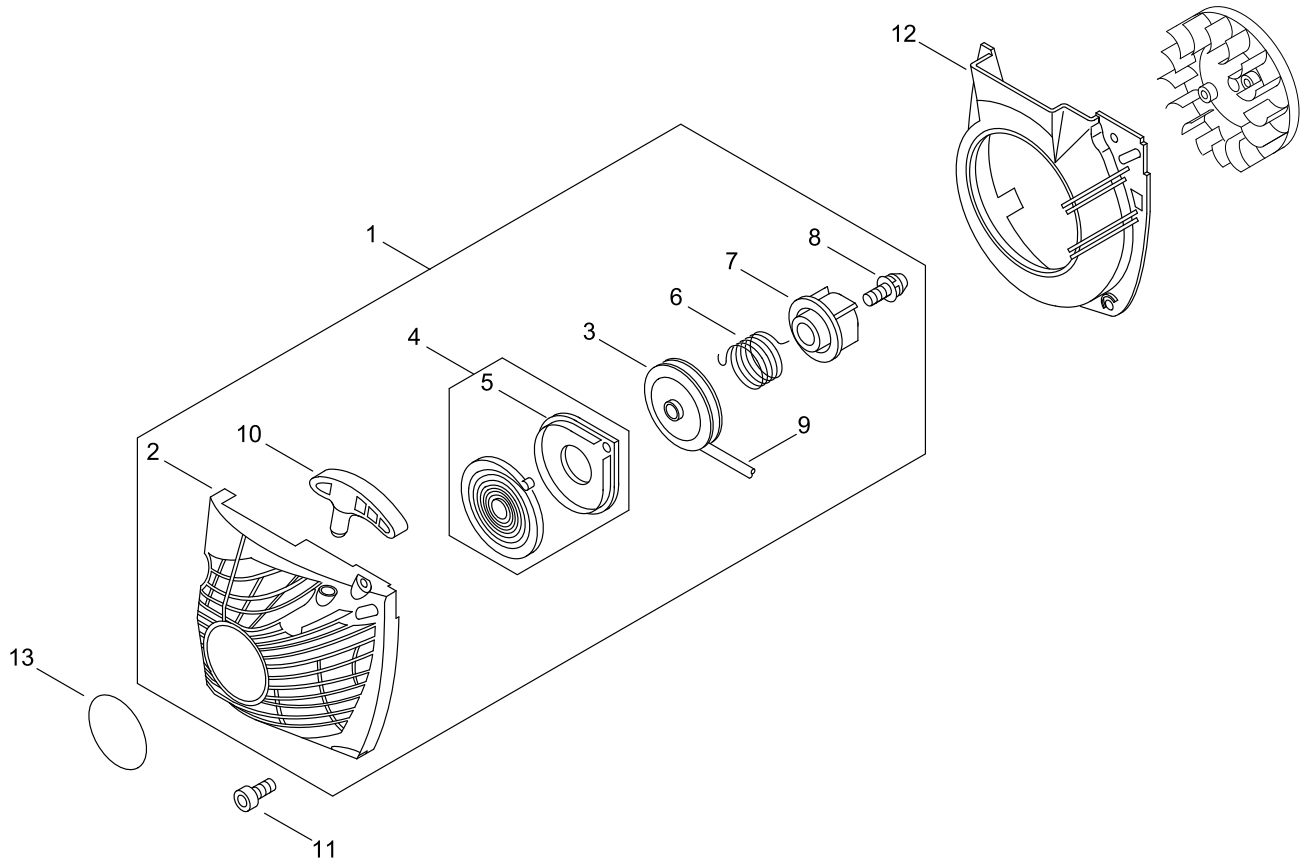
MUFFLER



MUFFLER

Key No.	LV (+)	Part No	Description	Qty	Standard
1		P100-007250	MUFFLER ASY	1	
2	+	900220-04008	SCREW 4*8	2	4*8
3	+	A313-000811	GUIDE, EXHAUST	1	ID#1260
4	+	A310-000060	SCREEN, ARRESTOR	1	
5		V104-000732	GASKET,EXHAUST	1	
6		V203-000220	BOLT,5	2	
7		V150-001820	PLATE,EYE	1	
8		900516-00005	NUT, FRANGE 5	2	5

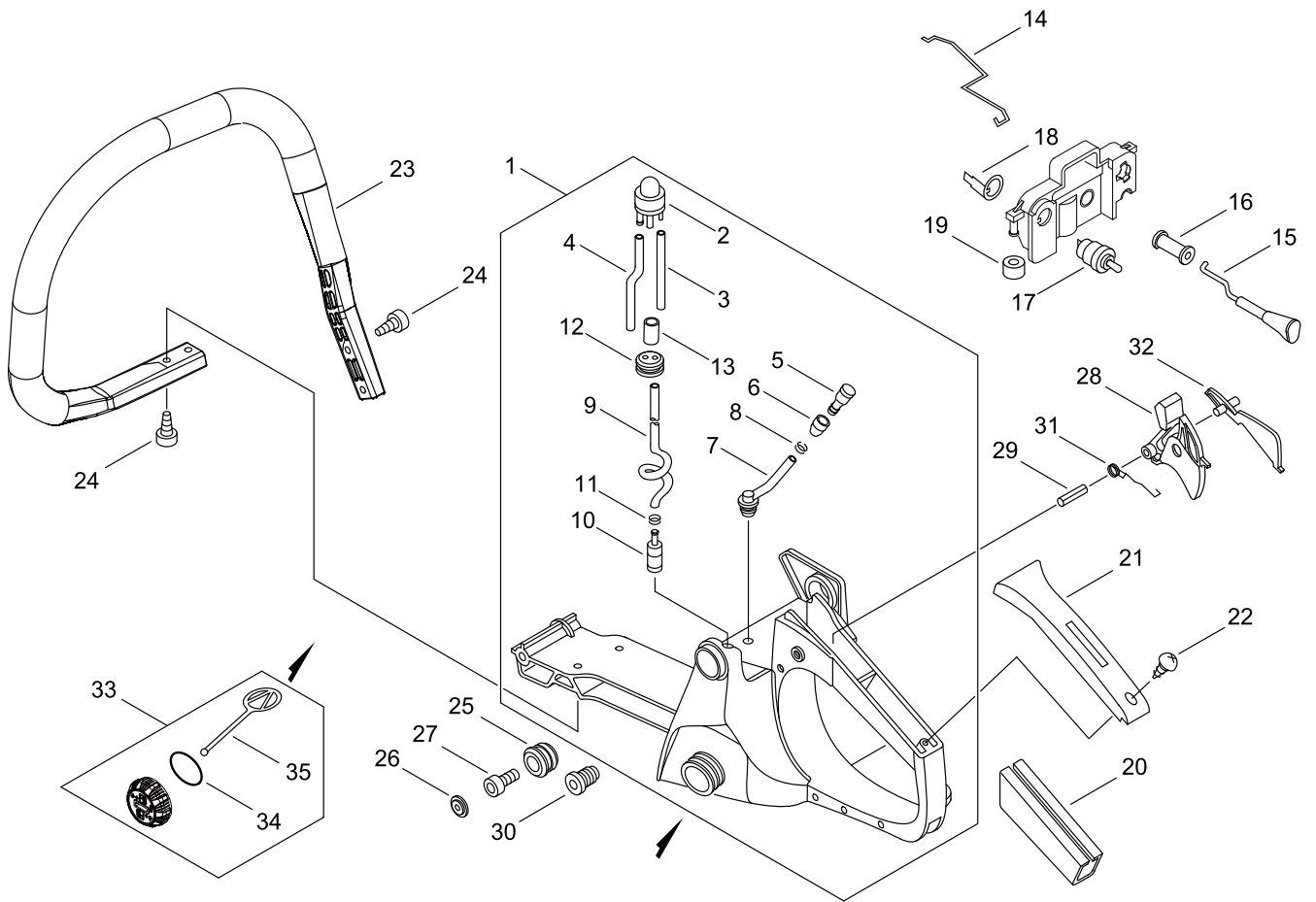
RECOIL STARTER



RECOIL STARTER

Key No.	LV (+)	Part No	Description	Qty	Standard
1		A051-000982	STARTER,RECOIL ASY	1	
2		P022-038540	STARTER CASE	1	
3	+	A506-000460	REEL,ROPE	1	
4	+	P022-010440	SPRING KIT, REWIND	1	
5	++	P022-033280	SPRING CASE	1	
6	+	V452-001320	SPRING,TORSION	1	
7	+	A507-000110	CATCHER,PAWL	1	
8	+	177236-61830	SCREW	1	
9	+	P022-008440	ROPE, STARTER	1	3.5*900
10	+	P022-005891	GRIP, STARTER	1	
11		V203-002190	BOLT,5	4	H.S.H 5*20
12		A172-002360	COVER,FAN	1	USM
13		X502-000780	LABEL,ECHO	1	

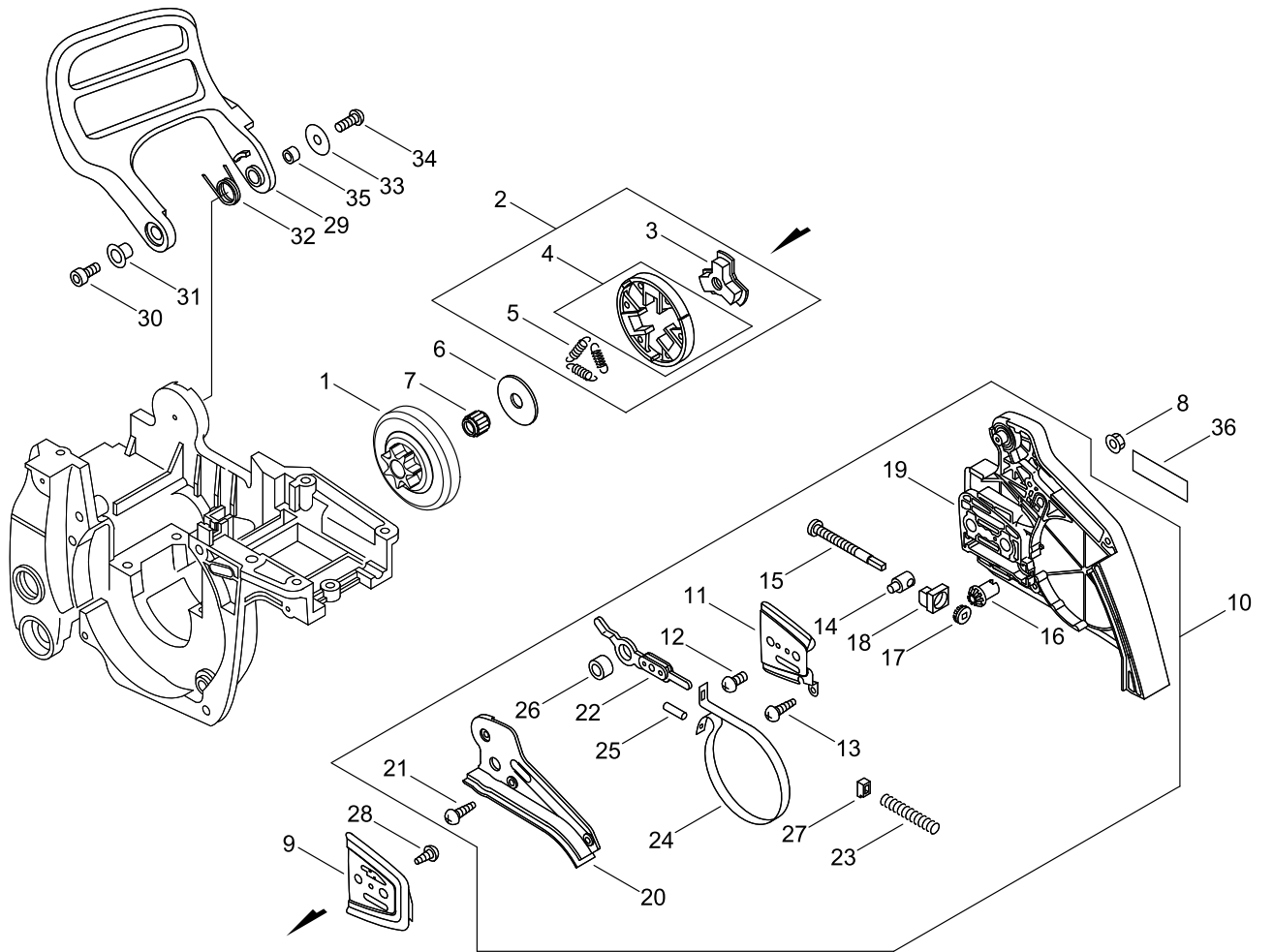
HANDLE



HANDLE

Key No.	LV (+)	Part No	Description	Qty	Standard
1		P100-006032	HANDLE ASY, REAR	1	
2	+	123181-39130	PUMP, PRIMER	1	
3	+	V471-001281	PIPE	1	2.4*5*105
4	+	V471-001471	PIPE	1	2.4*5*約200
5	+	131300-56431	VENT ASSEMBLY, FUEL	1	
6	+	131328-40630	COVER, VENT	1	
7	+	132012-39932	PIPE	1	3*6*65 クロメツ トツキ
8	+	V490-001230	CLIP	1	
9	+	132010-00760	PIPE, FUEL	1	3*5*250L
10	+	A369-000420	STRAINER, FUEL	1	ES-16499
11	+	V490-001240	CLIP	1	
12	+	132115-44331	GROMMET, FUEL	1	
13	+	V475-003970	TUBE	1	
14		C454-000100	ROD, THROTTLE	1	
15		A241-000140	KNOB, CHOKE	1	
16		178810-14535	GROMMET	1	
17		163400-38330	SWITCH, IGNITION	1	
18		V486-000021	TERMINAL, LEAD	1	
19		351134-39930	CUSHION	2	
20		351111-19831	GRIP, HANDLE	1	
21		351155-35431	COVER, HANDLE	1	
22		900253-04014	SCREW 4*14	1	4*14
23		C400-001430	HANDLE, FRONT	1	
24		V203-002190	BOLT, 5	4	H.S.H 5*20
25		V400-000051	CUSHION, 4	2	
26		100918-15130	CAP	2	
27		V202-000700	BOLT, 4	2	M4*10 L13.5
28		C450-000213	CONTROL, THROTTLE	1	
29		900345-40030	PIN, SPRING 4*30SUS	1	4*30SUS
30		V162-000040	PLUG	1	
31		V452-000260	SPRING, TORSION	1	
32		C460-000072	LOCKOUT, THROTTLE	1	
33		P021-036960	FUEL CAP ASY	1	
34	+	V581-000610	RING, O	1	P22
35	+	A365-000050	CONNECTOR, CAP	1	

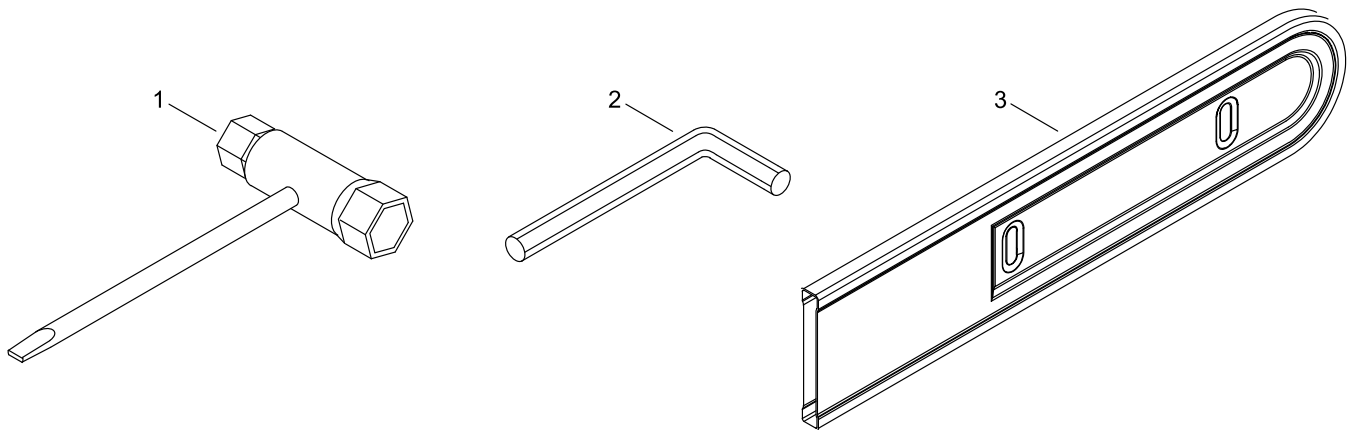
CHAIN BRAKE



CHAIN BRAKE

Key No.	LV (+)	Part No	Description	Qty	Standard
1		A556-000481	DRUM, CLUTCH	1	
2		A056-000181	CLUTCH ASY	1	
3	+	A552-000070	HUB, CLUTCH	1	
4		P021-007051	CLUTCH SHOE SET	1	
5	+	V451-000500	SPRING,TENSION	3	
6		175019-39430	PLATE, CLUTCH	1	
7		V555-000170	BEARING,NEEDLE 10	1	8E- KV10*13*12.8
8		V265-000200	NUT	2	
9		433012-39930	PLATE, GUIDE	1	
10		P021-048930	GUARD, SPROCKET ASY	1	
11	+	C305-000012	PLATE,SPROCKET GUARD	1	
12	+	91325-03005	SCREW	1	
13	+	V202-000060	BOLT,4	1	4*12
14	+	C309-000030	TENSIONER,CHAIN	1	
15	+	V203-000110	BOLT,5	1	
16	+	V651-000001	GEAR,BEVEL	1	
17	+	V651-000011	GEAR,BEVEL	1	
18	+	V355-000800	COLLAR,8	1	
19	+	C300-000313	GUARD, SPROCKET	1	
20	+	C345-000211	COVER,BRAKE	1	
21	+	V202-000060	BOLT,4	3	4*12
22	+	C334-000090	CONNECTOR, BRAKE	1	
23	+	V450-000070	SPRING,COMPRESSION	1	
24	+	C328-000080	BAND, BRAKE	1	
25	+	93050-30098	ROLLER	1	F3*9.8
26	+	433116-35430	SPACER 8	1	8*12*9
27	+	V376-000450	SPACER	1	
28		V202-000060	BOLT,4	1	4*12
29		C320-000113	LEVER, BRAKE	1	
30		V203-002180	BOLT,5	1	H.S.H 5*16
31		V356-000300	COLLAR,10	1	
32		V452-000250	SPRING,TORSION	1	
33		177214-03930	WASHER	1	
34		V202-000070	BOLT,4	1	
35		433116-35430	SPACER 8	1	8*12*9
36		X502-000340	LABEL,ECHO	1	ECHO(WHITE)

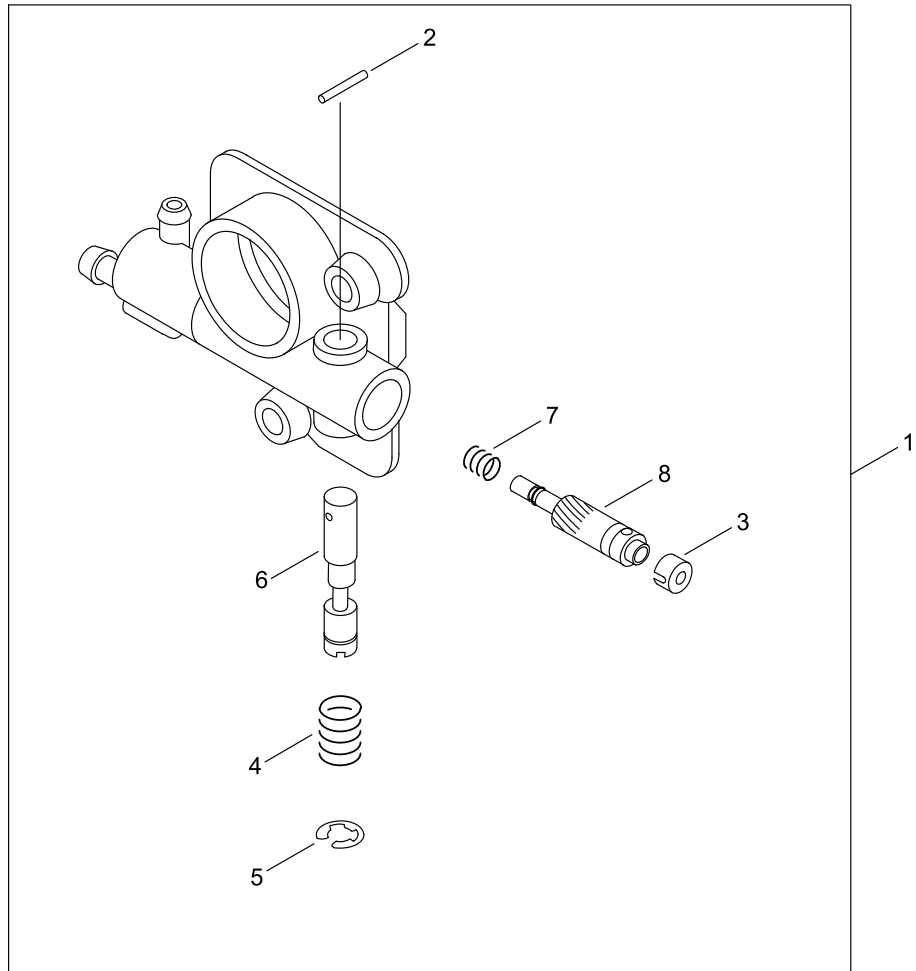
ACCESSORIES



ACCESSORIES

Key No.	LV (+)	Part No	Description	Qty	Standard
1		X602-000080	TOOL,WRENCH	1	13*19 L180
2		X605-000100	TOOL,L WRENCH	1	4MM M5
3		X490-000570	SCABBARD,CHAIN	1	

OILER



OILER

Key No.	LV (+)	Part No	Description	Qty	Standard
1		C022-000020	AUTO-OILER ASSEMBLY	1	OP-7
2	+	P003-002180	PIN, SPRING	1	
3	+	437062-38330	CAP, OIL PUMP	1	
4	+	437015-37330	SPRING	1	
5	+	123127-15030	RING	1	
6	+	P003-001370	NEEDLE-ADJ	1	
7	+	437019-38330	SPRING	1	
8	+	437024-37330	PLUNGER	1	

GUIDE BAR, CHAIN

Pitch ピッチ	Gauge ゲージ	Length 長さ	Guide Bar ガイドバー		Saw Chain ソーチェン		Hard Nose ハード ノーズ 	Sprocket Nose スプロケット ノーズ 
			Key №	Type 形式	Key №	Type 形式		
.325 8.26	0.058 1.47	38	A1	C38S21-64AA-ET	A2	21BPX-64E		

GUIDE BAR, CHAIN

Key No.	LV (+)	Part No	Description	Qty	Standard
A1		430521-37334	BAR, GUIDE 38RD58325	1	C38S21-64AA-ET
A2		431721-30231	CHAIN, SAW	1	21BPX-64E

NUMERICAL PARTS INDEX

Part No	Part description	Page	Part No	Part description	Page	Part No	Part description	Page
100012-16131	BEARING, NEEDLE	2	150114-04920	BUSHING	6	93050-30098	ROLLER	18
100014-53630	SPACER, PISTON PIN	2	150117-16430	SPACER	6	A021-001900	CARBURETOR, DIAPHRAGM	8
100015-03931	CIRCLIP, PISTON PIN	2	163400-38330	SWITCH, IGNITION	16	A021-001900	CARBURETOR, DIAPHRAGM	10
100142-12330	KEY, WOODRUFF	6	175019-39430	PLATE, CLUTCH	18	A051-000982	STARTER,RECOIL ASY	14
100910-60030	CUSHION	4	177214-03930	WASHER	18	A056-000181	CLUTCH ASY	18
100915-33930	SCREW	4	177234-35430	SPRING, RETURN	6	A101-000160	RING, PISTON	2
100918-15130	CAP	4	177236-61830	SCREW	14	A172-002360	COVER,FAN	14
100918-15130	CAP	16	177247-04630	SPACER, RATCHET	6	A202-000060	BELLOWS, INTAKE	8
123110-03930	SCREW, PUMP COVER	10	178810-14535	GROMMET	16	A209-000000	PLATE,INSULATOR	4
123112-15030	DIAPHRAGM, FUEL PUMP	10	351111-19831	GRIP, HANDLE	16	A235-000020	KNOB,CLEANER LID	8
123113-37530	SPRING, THROTTLE RTN	10	351134-39930	CUSHION	16	A238-000070	HOLDER, ELEMENT	8
123114-38830	SCREW	10	351155-35431	COVER, HANDLE	16	A238-000080	HOLDER, ELEMENT	8
123116-10530	VALVE, THROTTLE	10	430521-37334	BAR, GUIDE 38RD58325	24	A241-000140	KNOB, CHOKE	16
123122-39330	SPRING, METER. LEVER	10	431721-30231	CHAIN, SAW	24	A310-000060	SCREEN, ARRESTOR	12
123123-03930	LEVER, METERING	10	433011-19831	STUD, GUIDE BAR	4	A313-000811	GUIDE, EXHAUST	12
123125-15030	GASKET, FUEL PUMP	10	433012-39930	PLATE, GUIDE	18	A365-000050	CONNECTOR,CAP	4
123126-10631	SCREEN, INLET	10	433116-35430	SPACER 8	18	A365-000050	CONNECTOR,CAP	16
123127-03930	CLIP, THROTTLE SHAFT	10	436114-13930	VALVE, CHECK	4	A369-000420	STRAINER, FUEL	16
123127-15030	RING	10	437015-37330	SPRING	22	A409-000272	ROTOR, MAGNETO	6
123127-15030	RING	22	437019-38330	SPRING	22	A411-000264	COIL, IGNITION	6
123130-02960	SCREW	10	437024-37330	PLUNGER	22	A425-000000	SPARKPLUG	6
123133-04260	SPRING, IDLE ADJUST	10	437062-38330	CAP, OIL PUMP	22	A426-000010	TERMINAL,SPARKPLUG	6
123134-04260	SCREW, IDLE ADJUST	10	437210-35431	PIPE, OIL	2	A427-000013	CAP,SPARK PLUG	6
123136-09660	BALL	10	437210-39932	PIPE	2	A439-000145	BRACKET,SWITCH	8
123137-19830	VALVE, INLET NEEDLE	10	890157-39131	LABEL, SWITCH	8	A506-000460	REEL,ROPE	14
123138-03930	PIN, METERING LEVER	10	890345-39231	LABEL,CAUTION	4	A507-000110	CATCHER,PAWL	14
123139-03930	SCREW, M. LEVER PIN	10	890631-38131	LABEL, CAUTION	4	A514-000050	PAWL	6
123140-03930	GASKET, M. DIAPHRAGM	10	900162-05020	BOLT, H.S. 5*20	6	A552-000070	HUB, CLUTCH	18
123142-03930	COVER, M. DIAPHRAGM	10	900162-05022	BOLT, H.S. 5*22	2	A556-000481	DRUM, CLUTCH	18
123146-10631	PLUG, WELCH	10	900162-05030	BOLT HSH	4	C022-000020	AUTO-OILER ASSEMBLY	2
123149-26030	WASHER	10	900220-04008	SCREW 4*8	12	C022-000020	AUTO-OILER ASSEMBLY	22
123181-39130	PUMP, PRIMER	16	900238-04012	SCREW 4*12	2	C300-000313	GUARD, SPROCKET	18
123185-09660	PISTON ASSY	10	900238-05014	SCREW 5*14	8	C304-000010	SPIKED	4
123186-09660	SPRING, START VALVE	10	900238-05020	SCREW	4	C305-000012	PLATE,SPROCKET GUARD	18
130007-39932	INSULATOR	8	900238-05050	SCREW 5*50	8	C309-000030	TENSIONER,CHAIN	18
130020-33330	NUT	8	900253-04014	SCREW 4*14	16	C310-000000	CATCHER, CHAIN	4
130300-39730	CLEANER ASM., AIR	8	900253-05020	SCREW 5*20	8	C320-000113	LEVER, BRAKE	18
130301-39935	ADAPTER, INTAKE	8	900345-40030	PIN, SPRING 4*30SUS	16	C328-000080	BAND, BRAKE	18
130338-32430	PLUG, COVER	8	900515-00008	NUT, FLANGE 8	6	C334-000090	CONNECTOR, BRAKE	18
131300-56431	VENT ASSEMBLY, FUEL	16	900516-00005	NUT, FRANGE 5	12	C345-000211	COVER,BRAKE	18
131328-40630	COVER, VENT	16	900600-00005	WASHER 5	8	C400-001430	HANDLE,FRONT	16
132010-00760	PIPE, FUEL	16	900603-00005	WASHER 5	6	C450-000213	CONTROL, THROTTLE	16
132012-39932	PIPE	16	900721-00025	O-RING	4	C454-000100	ROD, THROTTLE	16
132115-12330	GROMMET	2	900888-36201	BEARING, BALL 6201	2	C460-000072	LOCKOUT, THROTTLE	16
132115-44331	GROMMET, FUEL	16	91325-03005	SCREW	18			

NUMERICAL PARTS INDEX

Part No	Part description	Page	Part No	Part description	Page
P003-000150	CHOKE, SHAFT	10	V203-002190	BOLT,5	16
P003-001370	NEEDLE-ADJ	22	V265-000200	NUT	18
P003-001510	LEVER-FAST IDLE	10	V308-000030	WASHER,CIRCULAR 11	2
P003-001780	LEVER, THROTTLE	10	V341-000050	WASHER,SQUARE	4
P003-001790	VALVE, CHOKE	10	V341-000060	WASHER,SQUARE	4
P003-001850	DIAPHRAGM, METERING	10	V341-000070	WASHER,SQUARE	4
P003-002180	PIN, SPRING	22	V355-000800	COLLAR,8	18
P003-002260	SPRING	10	V356-000300	COLLAR,10	18
P003-002270	NEEDLE	10	V356-000390	COLLAR,10	2
P003-003930	COVER, FUEL PUMP	10	V376-000450	SPACER	18
P003-003960	SHAFT ASY,THROTTLE	10	V400-000051	CUSHION,4	16
P003-005120	SCREW	10	V420-001250	CUSHION	4
P021-007051	CLUTCH SHOE SET	18	V420-001420	CUSHION	8
P021-007630	CAP ASY,TANK	4	V450-000070	SPRING,COMPRESSION	18
P021-012141	CRANKSHAFT ASY	2	V451-000500	SPRING,TENSION	18
P021-017360	CRANKCASE SET	2	V452-000250	SPRING,TORSION	18
P021-036520	PISTON KIT	2	V452-000260	SPRING,TORSION	16
P021-036960	FUEL CAP ASY	16	V452-001320	SPRING,TORSION	14
P021-048930	GUARD, SPROCKET ASY	18	V471-001281	PIPE	16
P021-049190	CYLINDER COVER ASY	4	V471-001471	PIPE	16
P021-050250	COVER ENGINE ASY	4	V471-001601	PIPE	8
P022-005891	GRIP, STARTER	14	V475-003970	TUBE	16
P022-008440	ROPE, STARTER	14	V485-000620	LEAD	6
P022-010440	SPRING KIT, REWIND	14	V485-000680	LEAD	6
P022-033280	SPRING CASE	14	V486-000021	TERMINAL,LEAD	16
P022-038540	STARTER CASE	14	V490-000310	CLIP	6
P100-001900	STRAINER, OIL	2	V490-001230	CLIP	2
P100-005990	CLEANER COVER ASY	8	V490-001230	CLIP	16
P100-006032	HANDLE ASY, REAR	16	V490-001240	CLIP	8
P100-007250	MUFFLER ASY	12	V490-001240	CLIP	16
V103-000280	GASKET,INTAKE	8	V505-000011	SEAL,OIL 12	2
V103-000290	GASKET,INTAKE	8	V555-000170	BEARING,NEEDLE 10	18
V104-000732	GASKET,EXHAUST	12	V581-000610	RING,O	16
V135-000010	GROMMET,HT CORD	6	V607-000000	PIN,ENG 9	2
V150-001820	PLATE,EYE	12	V651-000001	GEAR,BEVEL	18
V162-000040	PLUG	16	V651-000011	GEAR,BEVEL	18
V202-000060	BOLT,4	18	V652-000030	GEAR,WORM	2
V202-000070	BOLT,4	18	X490-000570	SCABBARD,CHAIN	20
V202-000700	BOLT,4	16	X502-000340	LABEL,ECHO	18
V203-000090	BOLT,5	6	X502-000780	LABEL,ECHO	14
V203-000110	BOLT,5	18	X503-008450	LABEL,MODEL	8
V203-000220	BOLT,5	12	X524-001901	LABEL	4
V203-002180	BOLT,5	4	X602-000080	TOOL,WRENCH	20
V203-002180	BOLT,5	18	X605-000100	TOOL,L WRENCH	20
V203-002190	BOLT,5	14			