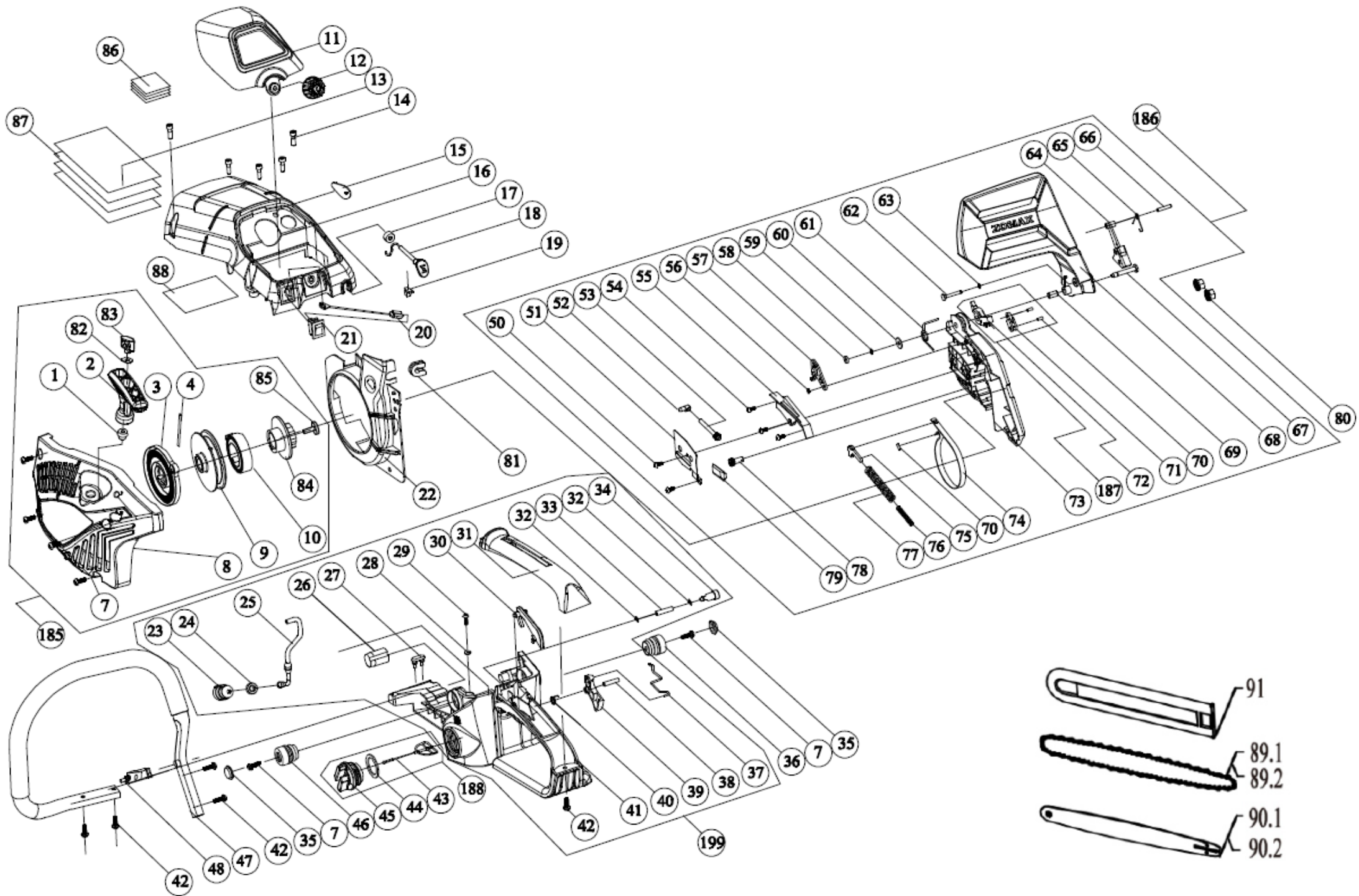


BUSH RANGER[®]

P O W E R E Q U I P M E N T

bushrangerpe.com.au

Illustrated Parts List - BRUZCS5210 & BRUZCS5610



CS5210 & CS5610 CHAINSAW

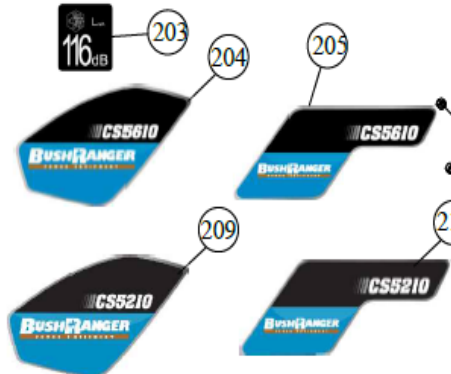
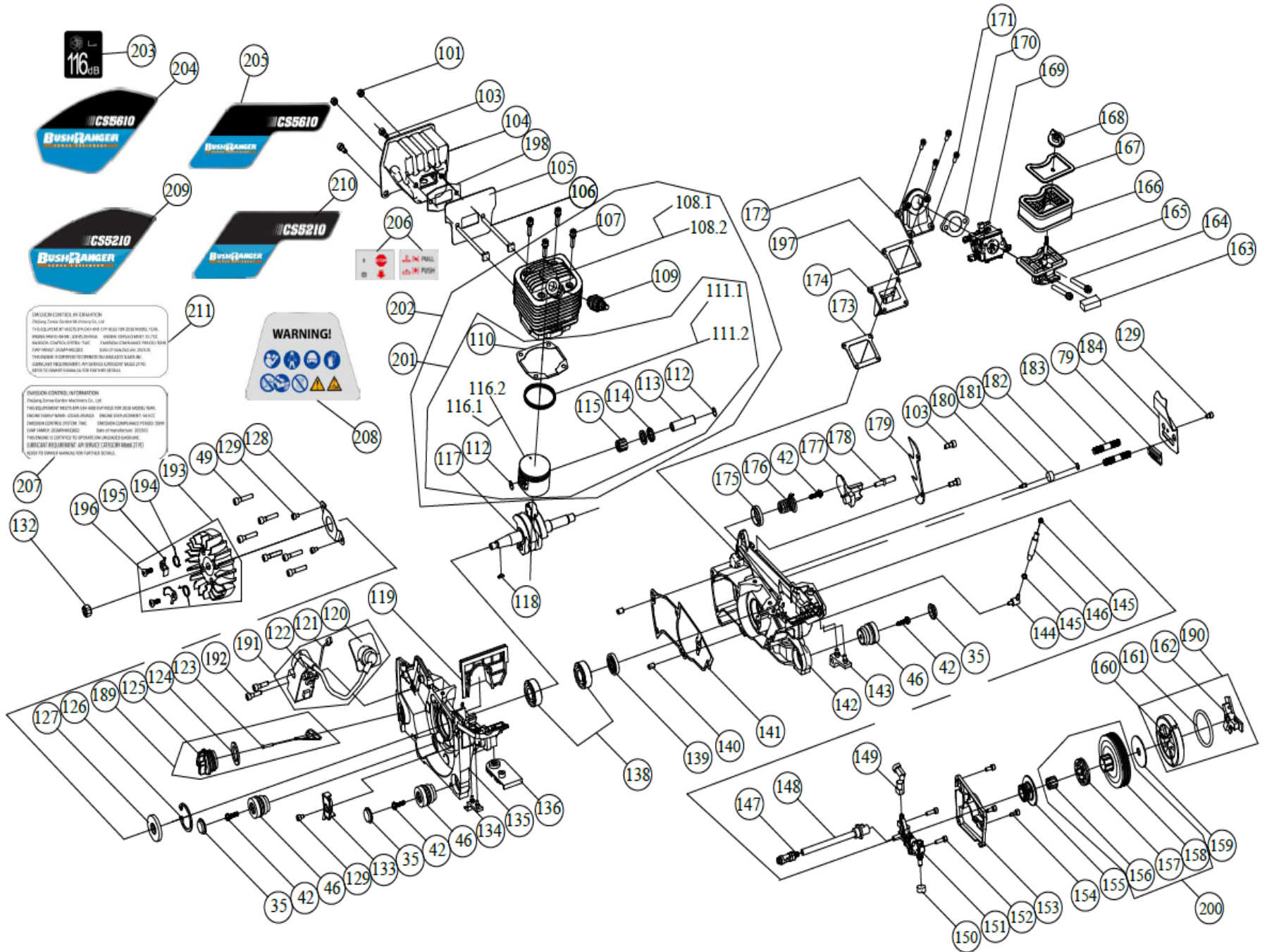
| No. | Part No. | Description | Required Quantity |
|-----|------------|--------------------------|-------------------|
| 1 | 4504001101 | ROPE GUIDE | 1 |
| 2 | 3001024107 | STARTER KNOB | 1 |
| 3 | 4012001201 | SPRING PLATE | 1 |
| 4 | 4012003102 | 3*900 NYLON ROPE | 1 |
| 7 | 5010405141 | M5×14 SCREW | 6 |
| 8 | 3001013372 | EASY STARTER COVER ASS'Y | 1 |
| 9 | 4012015113 | EASY STARTER REEL | 1 |
| 10 | 4012002107 | RECOIL SPRING | 1 |
| 11 | 3001010130 | AIR FILTER COVER COMP | 1 |
| 12 | 3001033305 | AIR FILTER COVER KNOB | 1 |
| 13 | 4018004109 | HEAT SHIELD | 1 |
| 14 | 5010605182 | M5×18 SCREW | 5 |
| 15 | 3001038101 | HOT WIND COVER | 1 |
| 16 | 3001009313 | CYLINDER TOP COVER | 1 |
| 17 | 4008004101 | CHOKE ROD GUIDE | 1 |
| 18 | 3001034312 | CHOKE KNOB | 1 |
| 19 | 4013002113 | CHOKE ROD DAMPER | 1 |
| 20 | 4009003110 | FLAMEOUT CORD | 1 |
| 21 | 4009005104 | STOP SWITCH | 1 |
| 22 | 3001014112 | FAN COVER | 1 |
| 23 | 4007001201 | FUEL FILTER ASS'Y | 1 |
| 24 | 4007007106 | FUEL PIPE BUSHING | 1 |
| 25 | 4007004108 | FUEL PIPE | 1 |
| 26 | 3001039102 | DAMPER PLUG | 1 |
| 27 | 4013002111 | DAMPER | 1 |
| 28 | 4019007101 | FUEL BREATHER GASKET | 1 |
| 29 | 5010339141 | ST3.9×14 SCREW | 1 |
| 30 | 3001021109 | THROTTLE INTERLOCK ARM | 1 |
| 31 | 3001008113 | REAR HANDLE COVER | 1 |
| 32 | 4007005103 | 6 CIRCLIP | 3 |

CS5210 & CS5610 CHAINSAW

| No. | Part No. | Description | Required Quantity |
|-----|------------|-------------------------|-------------------|
| 33 | 4007004113 | BREATHER PIPE | 1 |
| 34 | 4007002201 | BREATHER ASS'Y | 1 |
| 35 | 3001064105 | DAMPER CAP | 5 |
| 36 | 4013002112 | DAMPER | 1 |
| 37 | 4008003102 | THROTTLE ROD | 1 |
| 38 | 5040205241 | 5×24 SPRING PIN | 1 |
| 39 | 3001020111 | THROTTLE TRIGGER | 1 |
| 40 | 4008002103 | THROTTLE TRIGGER SPRING | 1 |
| 41 | 3001004332 | REAR HANDLE ASS'Y | 1 |
| 42 | 5010548162 | ST4.8×16 SCREW | 9 |
| 43 | 3001029302 | CAP LINK | 1 |
| 44 | 4007010102 | FUEL TANK CAP WASHER | 1 |
| 45 | 3001027109 | FUEL TANK CAP | 1 |
| 46 | 4013002110 | DAMPER | 4 |
| 47 | 4008001103 | FRONT HANDLE COMP | 1 |
| 48 | 4013002133 | DAMPER | 1 |
| 49 | 5010605301 | M5×30 SCREW | 6 |
| 50 | 5010242652 | ST4.2×6.5 SCREW | 2 |
| 51 | 4015013101 | TENSION PLATE | 1 |
| 52 | 4015004102 | TENSIONER PIN | 1 |
| 53 | 4015002102 | TENSIONER PASSIVE BOLT | 1 |
| 54 | 5010242092 | ST4.2×9.5 SCREW | 3 |
| 55 | 3001015102 | BRAKE SPRING COVER | 1 |
| 56 | 5070303011 | 3.5 SNAP RING | 1 |
| 57 | 4011009102 | STOPPER PLATE | 1 |
| 58 | 4011008101 | RUBBER WASHER | 1 |
| 59 | 5070304001 | 4 SNAP RING | 1 |
| 60 | 5050106181 | 6×18×1.5 PLATE WASHER | 1 |
| 61 | 4011006101 | BRAKE SPRING | 1 |
| 62 | 4011005103 | STOP PIN | 1 |
| 62 | 4010003102 | CLUTCH SPRING | 1 |

CS5210 & CS5610 CHAINSAW

| No. | Part No. | Description | Required Quantity |
|------|-------------|------------------------|-------------------|
| 63 | 5070303001 | 3.0 SNAP RING | 1 |
| 64 | 4011011101 | HOOK | 1 |
| 65 | 4011010101 | TORSIONAL SPRING | 1 |
| 66 | 5040204221 | 4×22 PIN | 1 |
| 67 | 4011005101 | GUIDE PIN | 1 |
| 68 | 3001036111 | FRONT HAND GUARD | 1 |
| 69 | 4011014105 | GUIDE PIN SLEEVE | 1 |
| 70 | 5040103091 | 3×9 PIN | 3 |
| 71 | 4011004107 | SUB LEVER | 1 |
| 72 | 4011004106 | MAIN LEVER | 1 |
| 73 | 3001011326 | CLUTCH COVER | 1 |
| 74 | 4011003107 | BRAKE BAND | 1 |
| 75 | 4011004108 | BRAKE ARM | 1 |
| 76 | 4011001102 | BRAKE SPRING (MAIN) | 1 |
| 77 | 4011002101 | BRAKE SPRING (SUB) | 1 |
| 78 | 4015001102 | CHAIN TENSION ADJUSTER | 1 |
| 79 | 3001046101 | CHAIN GUIDE | 2 |
| 80 | 5020508001 | NUT M8 | 2 |
| 81 | 4009010101 | U BUSHING BRACKET | 1 |
| 82 | 4019009101 | GASKET | 1 |
| 83 | 4018002139 | STARTER KNOB RUBBER | 1 |
| 84 | 4012010106 | PAWL WHEEL | 1 |
| 85 | 5011605142 | SPECIAL SCREW | 1 |
| 86 | 4018004108 | HEAT SHIELD | 4 |
| 87 | 4018004116 | HEAT SHIELD | 3 |
| 88 | 4018004117 | HEAT SHIELD | 1 |
| 89.1 | GAF38F072DL | SAW CHAIN CS5210 | 1 |
| 90.1 | GAFBB1838PL | GUIDE BAR CS5210 | 1 |
| 89.2 | GAF48F064DL | SAW CHAIN CS5610 | 1 |
| 90.2 | GAFBB1848PL | GUIDE BAR CS5610 | 1 |
| 91 | 4000006106 | 18" GUIDE BAR COVER | 1 |



EMISSION CONTROL INFORMATION
 This equipment meets or exceeds the requirements for 2010 model year.
 ENGINE MODEL NAME: CS5610/CS5210 ENGINE DISPLACEMENT: 56/52 CC
 EMISSION CONTROL SYSTEM TYPE: CARBURETOR WITH FUEL INJECTION
 THIS ENGINE IS CERTIFIED TO OPERATE ON UNLEADED GASOLINE.
 LUBRICANT REQUIREMENT: SAE 30 (SEE OWNER MANUAL 211)
 REFER TO OWNER MANUAL FOR FURTHER DETAILS.

EMISSION CONTROL INFORMATION
 This equipment meets or exceeds the requirements for 2010 model year.
 ENGINE MODEL NAME: CS5610/CS5210 ENGINE DISPLACEMENT: 56/52 CC
 EMISSION CONTROL SYSTEM TYPE: CARBURETOR WITH FUEL INJECTION
 THIS ENGINE IS CERTIFIED TO OPERATE ON UNLEADED GASOLINE.
 LUBRICANT REQUIREMENT: SAE 30 (SEE OWNER MANUAL 211)
 REFER TO OWNER MANUAL FOR FURTHER DETAILS.

CS5210 & CS5610 CHAINSAW

| No. | Part No. | Description | Required Quantity |
|-------|------------|-----------------------------|-------------------|
| 101 | 5020105001 | MUFFLER NUT M5 | 2 |
| 103 | 5010605121 | M5×12 SCREW | 4 |
| 104 | 4006001220 | MUFFLER | 1 |
| 105 | 4019003108 | GASKET | 1 |
| 106 | 5011605871 | M5×87 MUFFLER BOLT | 2 |
| 107 | 5010605301 | M5×30 SCREW | 4 |
| 108.1 | 4002001111 | 5610 CYLINDER 45.2mm | 1 |
| 108.2 | 4002001119 | 5210 CYLINDER 44mm | 1 |
| 109 | 4009004105 | SPARK PLUG | 1 |
| 110 | 4019002106 | CYLINDER GASKET | 1 |
| 111.1 | 4004002104 | 5610 PISTON RING 45.2mm | 2 |
| 111.2 | 4004002117 | 5210 PISTON RING 44mm | 2 |
| 112 | 4004004104 | CIRCLIP | 2 |
| 113 | 4004003105 | PISTON PIN | 1 |
| 114 | 4004005101 | WASHER | 2 |
| 115 | 5080911151 | K11×15×12 NEEDLE BEARING | 1 |
| 116.1 | 4004001206 | 5610 PISTON 45.2mm | 1 |
| 116.2 | 4004001317 | 5210 PISTON 44mm | 1 |
| 117 | 4003001205 | CRANKSHAFT COMP | 1 |
| 118 | 5060103101 | WOODRUFF KEY 3.0×3.7×10 | 1 |
| 119 | 3001006101 | CARBURETOR SPACER | 1 |
| 120 | 4009007102 | SPARK PLUG COVER | 1 |
| 121 | 4009003111 | FLAMEOUT CORD | 1 |
| 122 | 4009002302 | IGNITOR | 1 |
| 123 | 3001029301 | CAP LINK | 1 |
| 124 | 4014009101 | OIL TANK CAP GASKET | 1 |
| 125 | 3001025108 | OIL TANK CAP | 1 |
| 126 | 5070235001 | 35 SNAP RING | 1 |
| 127 | 5090215351 | 15×35×4.5 OIL SEAL (L) | 1 |
| 128 | 4018008101 | OIL SEAL PLATE | 1 |

CS5210 & CS5610 CHAINSAW

| No. | Part No. | Description | Required Quantity |
|-------|-------------|-----------------------------|-------------------|
| 129 | 5010604061 | M4×6 SCREW | 4 |
| 132 | 5021008011 | NUT M8×1 | 1 |
| 133 | 4005010103 | ANTI-DUST SCREEN | 1 |
| 134 | 4013002134 | STOPPER (L) | 1 |
| 135 | 4001002108 | LEFT CRANKCASE | 1 |
| 136 | 4018002108 | DUST SHIELD | 1 |
| 138 | 5080115351 | BALL BEARING 6202 | 2 |
| 139 | 5090215281 | 15×28×4.5 OIL SEAL (R) | 1 |
| 140 | 4001005102 | STOP PIN | 2 |
| 141 | 4019001106 | CRANKCASE GASKET | 1 |
| 142 | 4001004108 | RIGHT CRANKCASE | 1 |
| 143 | 4013002135 | STOPPER (R) | 1 |
| 144 | 4007006301 | TUBE JOINTS | 1 |
| 145 | 4007005104 | CLIP | 2 |
| 146 | 4007004103 | VACUUM PIPE | 1 |
| 147 | 4014002202 | OIL FILTER ASS'Y | 1 |
| 148 | 4014004102 | OIL PUMP PIPE (I) | 1 |
| 149 | 4014005102 | OIL PUMP PIPE (O) | 1 |
| 150 | 4014016102 | SEALED SPONGE | 1 |
| 151 | 4014001202 | OIL PUMP ASS'Y | 1 |
| 152 | 5010604151 | M4×15 SCREW | 2 |
| 153 | 4014002301 | OIL PUMP COVER | 1 |
| 154 | 5010604101 | M4×10 SCREW | 3 |
| 155 | 4014006302 | OIL PUMP WORM | 1 |
| 156 | 5080812151 | K12×15×15 NEEDLE BEARING | 1 |
| 157.1 | 4010007110 | SPROCKET 0.325-8 | 1 |
| 157.2 | 4010007102B | SPROCKET 3/8 | 1 |
| 158 | 4010004302 | CLUTCH DRUM | 1 |
| 159 | 4010005102 | CLUTCH WASHER | 1 |
| 160 | 4010001102 | CLUTCH WEDGE | 3 |
| 161 | 4010003102 | CLUTCH SPRING | 1 |
| 162 | 4010002102 | WEDGE BRACKET | 1 |

CS5210 & CS5610 CHAINSAW

| No. | Part No. | Description | Required Quantity |
|-------|-------------|------------------------------|-------------------|
| 163 | 4005014101 | DAMPER | 1 |
| 164 | 5010705501 | M5×50 SCREW | 2 |
| 165 | 3001035304 | AIR INLET CURVING PIPE | 1 |
| 166 | 4005005303 | AIR CLEANER ASS'Y | 1 |
| 167 | 4005017102 | AIR CLEANER BRACKET | 1 |
| 168 | 3001032302 | AIR FILTER LOCK NUT | 1 |
| 169 | 4017001305 | CARBURETOR | 1 |
| 170 | 4019006105 | INSULATION GASKET | 1 |
| 171 | 5011604202 | M4×20 SCREW | 4 |
| 172 | 3001022301 | CARBURETOR BRACKET | 1 |
| 173 | 4005024102 | GASKET | 1 |
| 174 | 4005025201 | NON-RETURN VALVE | 1 |
| 175 | 3001064103 | SPRING SEAT | 1 |
| 176 | 4013001103 | SPRING | 1 |
| 177 | 3001064104 | CHAIN CATCHER | 1 |
| 178 | 5011605141 | M5×14 SCREW | 1 |
| 179 | 4000011103 | SPIKED BUMPER | 1 |
| 180 | 4014010101 | BREATHER VALVE | 1 |
| 181 | 4014016101 | SPONGE | 1 |
| 182 | 4014015101 | CIRCLIP | 1 |
| 183 | 5030308261 | M8×26 STUD | 2 |
| 184 | 4014008101 | OIL GUIDE PLATE | 1 |
| 185.1 | 3002000352A | EASY STARTER ASS'Y CS5210 | 1 |
| 185.2 | 3002000352B | EASY STARTER ASS'Y CS5610 | 1 |
| 186.1 | 3002000216A | CLUTCH COVER ASS'Y CS5210 | 1 |
| 186.2 | 3002000216B | CLUTCH COVER ASS'Y CS5610 | 1 |
| 187 | 4011004201 | LEVER ASS'Y | 1 |
| 188 | 3002002402 | FUEL TANK CAP ASS'Y | 1 |
| 189 | 3002002502 | OIL TANK CAP ASS'Y | 1 |
| 190 | 3002001002 | CLUTCH COMP | 1 |

CS5210 & CS5610 CHAINSAW

| No. | Part No. | Description | Required Quantity |
|-------|-------------|---------------------------------------|-------------------|
| 191 | 4009002314 | IGNITION ASS'Y | 1 |
| 192 | 5010705201 | M5×20 SCREW | 2 |
| 193 | 4009001206 | FLYWHEEL ASS'Y | 1 |
| 194 | 5011606001 | SPRING | 2 |
| 195 | 4012005106 | PAWL | 2 |
| 196 | 4012006106 | SHOULDER SCREW | 2 |
| 197 | 4005024107 | GASKET | 1 |
| 198 | 4019003102 | GASKET | 1 |
| 199 | 3002000813 | REAR HANDLE COMP | 1 |
| 200.1 | 3002003304A | THE CLUTCH DRUM ASS'Y(0.325) | 1 |
| 200.2 | 3002003304B | THE CLUTCH DRUM ASS'Y(3/8) | 1 |
| 201.1 | 3002003305 | PISTON KIT ASS'Y(CS5610) | 1 |
| 201.2 | 3002003306 | PISTON KIT ASS'Y(CS5210) | 1 |
| 202.1 | 3002000611 | CYLINDER AND PISTON ASS'Y (CS5610) | 1 |
| 202.2 | 3002000612 | CYLINDER AND PISTON ASS'Y (CS5210) | 1 |
| 203 | 7003006001 | NOISE LABEL | 1 |
| 204 | 7102022001 | STARTER COVER LABEL (CS5610) | 1 |
| 205 | 7102022002 | CLUTCH COVER LABEL (CS5610) | 1 |
| 206 | 7003004003 | SWITCH LABEL | 1 |
| 207 | 7102022003 | EPA LABEL (CS5610) | 1 |
| 208 | 7003003019 | WARNING LABEL | 1 |
| 209 | 7102021001 | STARTER COVER LABEL (CS5210) | 1 |
| 210 | 7102021002 | CLUTCH COVER LABEL (CS5210) | 1 |
| 211 | 7102021003 | EPA LABEL (CS5210) | 1 |