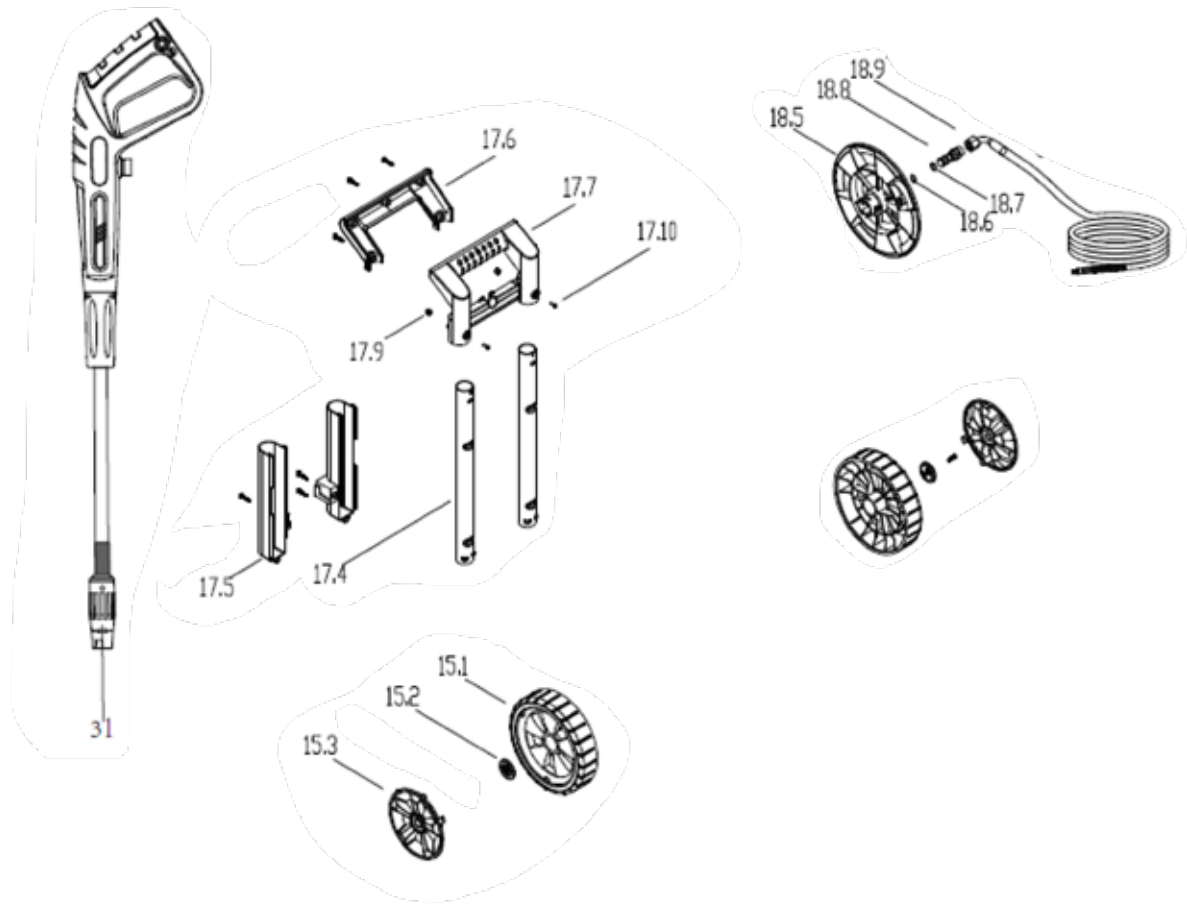


# **BUSH RANGER<sup>®</sup>**

**P O W E R   E Q U I P M E N T**

## **Illustrated Parts List BRUPW111**





Item	Part No.	Part Name	Qty
15.1	BPA111056	WHEEL	2
15.2	BPA111057	WHEEL GASKET	2
15.3	BPA111058	WHEEL CAP	2
17.4	BPA111067	ALUMINUM TUBES	2
17.5	BPA111068	ALUMINUM TUBE COVER	1+1
17.6	BPA111069	HANDLE BACK COVER	1
17.7	BPA111070	HANDLE	1
18.5	BPA111078	HOSE REEL	2
18.9	BPA111082	HOSE ASS.	1
31	BPA111124	SPRAY GUN	1