

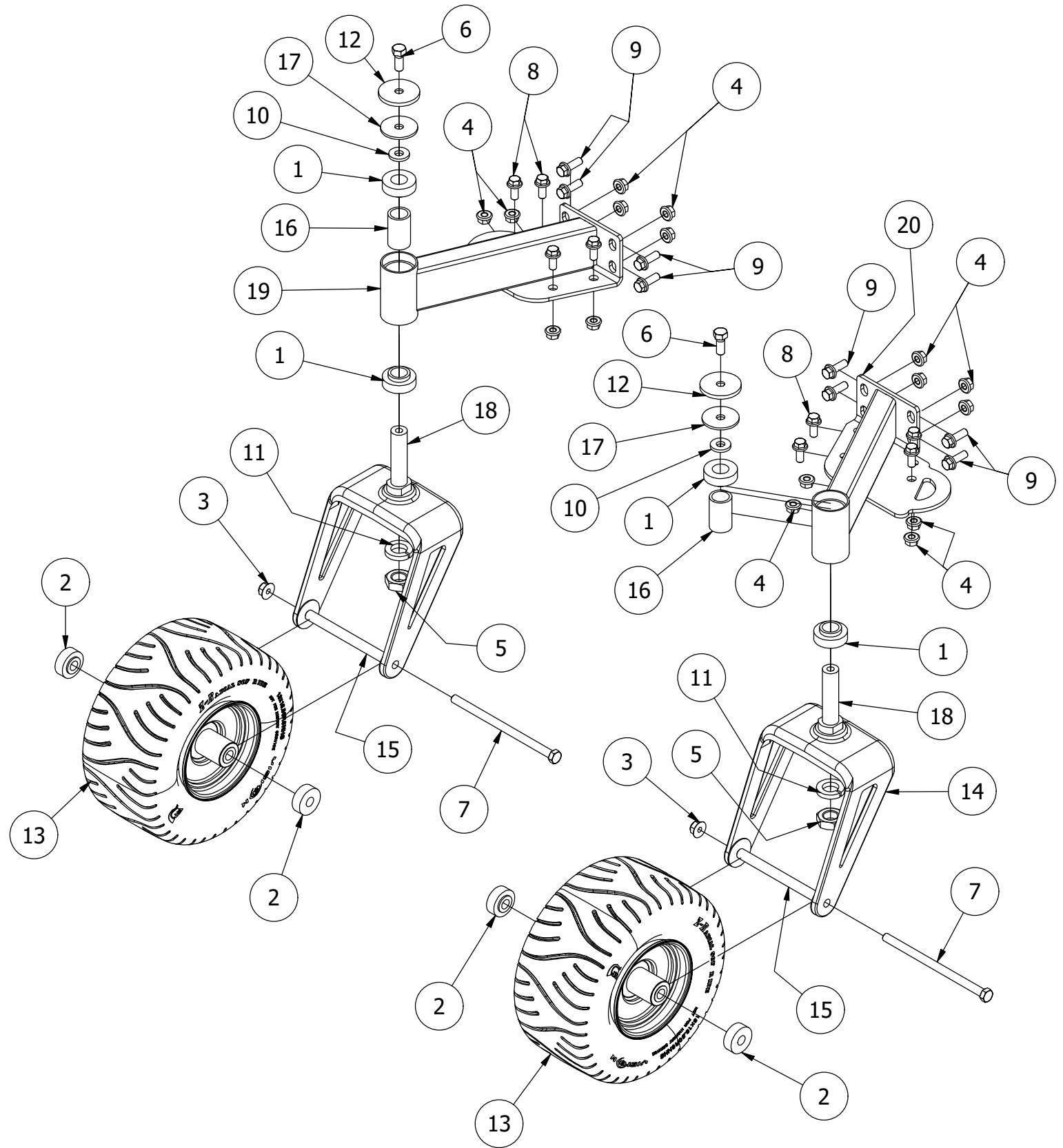


**BushRanger XD Pro
Mower Parts Manual 2022**

Table of Contents

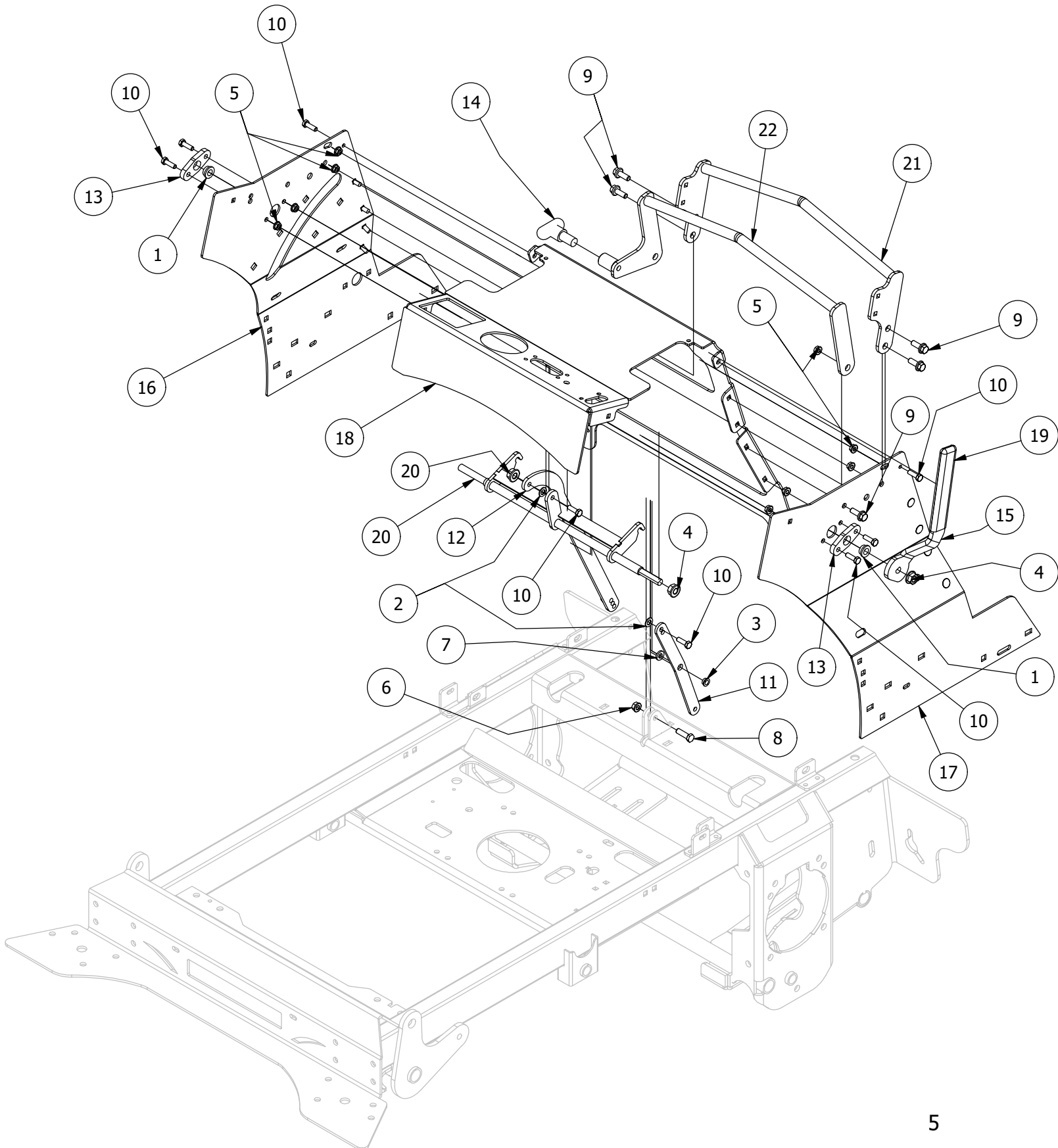
FRONT FORK ASSEMBLY	3-4
THROTTLE AND BRAKE LEVER ASSEMBLY.....	5-6
DECK HEIGHT ADJUSTER ASSEMBLY	7-8
RIGHT DRIVE ARM ASSEMBLY	9-10
LEFT DRIVE ARM ASSEMBLY	11-12
KNEE REST ASSEMBLY	13-14
FOOT PLATE ASSEMBLY	15-16
BATTERY ASSEMBLY	17-18
CONTROL PANEL ASSEMBLY	19-20
RIGHT GAS TANK ASSEMBLY.....	21-22
LEFT GAS TANK ASSEMBLY	23-24
IDLER PULLEY ASSEMBLY	25-26
MUFFLER GUARD AND BELT COVER ASSEMBLY.....	27-28
TRANSMISSION ASSEMBLY	29-30
KAWASAKI FX801V ENGINE ASSEMBLY.....	31-32
54" DECK SCALPING WHEELS AND STABILIZER ASSEMBLY.....	33-34
54" SPINDLES, BLADES, PULLEYS, AND COVERS	35-36
54" DECK IDLER ASSEMBLY	37-38
DECK CHUTE ASSEMBLY	39-40
DECALS.....	41

Front Forks Assembly



PARTS LIST			
ITEM	QTY	PART NUMBER	DESCRIPTION
1	4	410-0006-00	1" INSERT BEARING
2	4	410-0014-00	Mower Caster Wheel Bearing
3	2	413-0002-00	1/2-13 NYLON INSERT FLANGE LOCKNUT ZC YELLOW
4	16	413-0011-00	7/16-14 HEX FLANGE NUT W/SERR ZINC YELLOW
5	2	413-0063-00	1"-8 FIN HEX JAM NUT ZC
6	2	418-0002-00	1/2-20 X 1-1/4 HEX FLANGE BOLT GR 8 ZC YELLOW
7	2	418-0003-00	1/2-13 X 8-1/2 HEX C/S GR 5 ZINC YELLOW
8	8	418-0099-00	7/16-14 X 1 HEX FLANGE BOLT (GR.8) ZC/YEL
9	8	418-0266-00	7/16-14 X 1 1/4 HEX FLANGE BOLT (GR.8) ZC/YEL
10	2	419-0003-00	1/2 FENDER WASHER 1-1/4" OD ZINC
11	2	419-0024-00	1" L/W MED SPLIT ZC
12	2	419-0025-00	Front Fork Caster Top Washer
13	2	422-0042-00	Spartan Radial Tire Wheel Assembly 2018
14	2	423-0001-00	RT&SRT Caster Wheel Fork 2018
15	2	425-0010-00	Mower Caster Fork Wheel Spacer
16	2	425-0011-00	Caster Fork Shaft Bearing Spacer
17	2	426-0006-00	Mower Caster Shaft Washer
18	2	437-0019-00	RT&SRT Mower Caster Wheel Shaft 2018
19	1	490-0439-02	Stand On Right Caster Support Assembly(54)
20	1	490-0442-02	Stand On Left Caster Support Weldment (54)

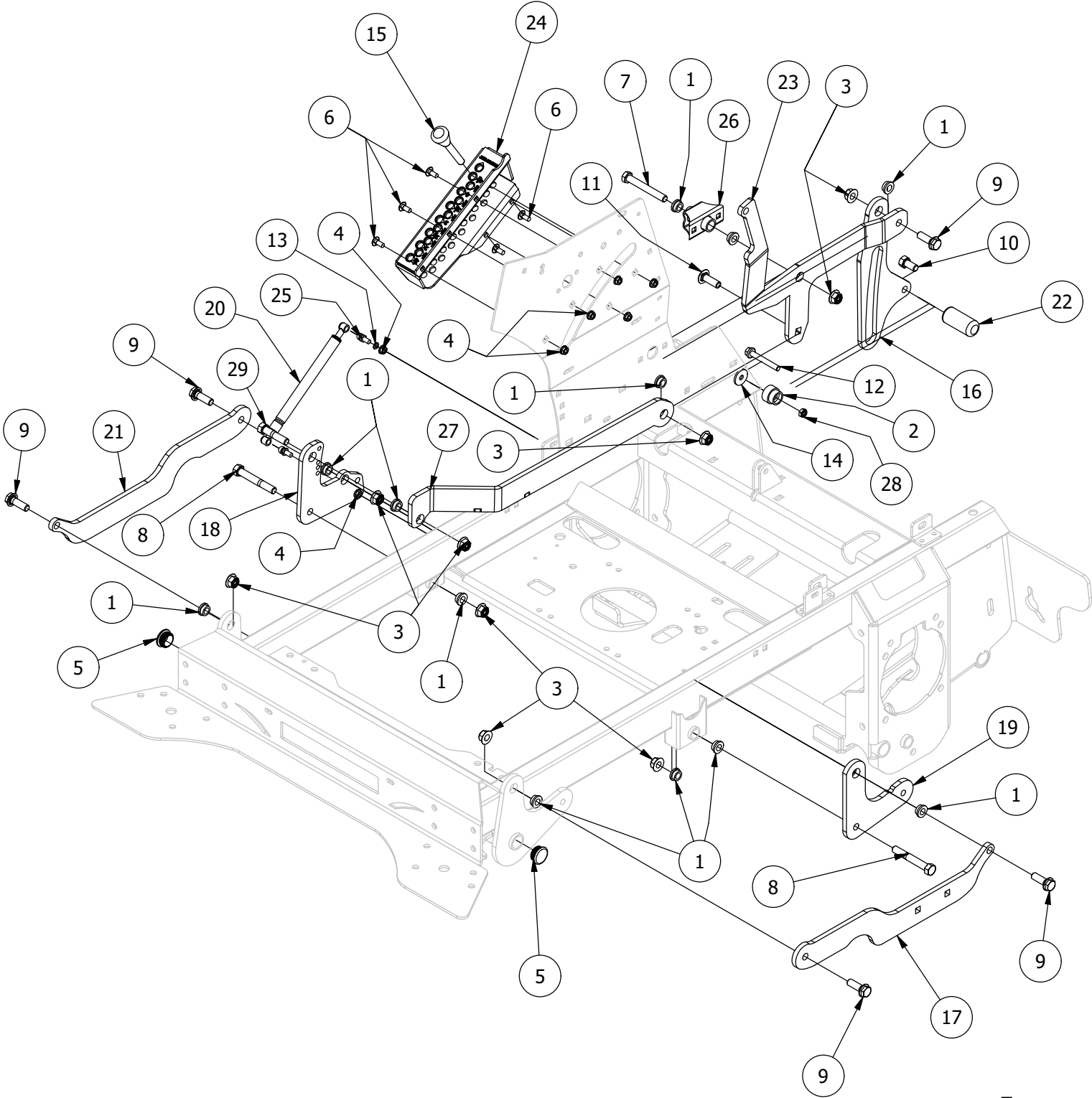
Throttle and Brake Lever Assembly



Throttle and Brake Lever Assembly

ITEM	QTY	PART NUMBER	DESCRIPTION
1	2	410-0009-00	1/2" ID X 3/4" OD X 3/8" LENGTH FLANGE BUSHING
2	2	410-0011-00	3/8 X 3/4 Bronze Washer
3	1	410-0067-00	Bronze Bushing
4	4	413-0005-00	1/2-13 HEX FLANGE NUT W/SERR ZINC YELLOW
5	10	413-0022-00	5/16-18 HEX FLANGE NUT W/SERR ZINC YELLOW
6	1	413-0029-00	3/8-16 NYLON INSERT FLANGE L/NUT ZC YELLOW
7	1	413-0052-00	3/8 ID X 3/4 OD X .125 THK BRONZE WASHER
8	1	418-0005-00	3/8-16 x 1-1/4 Hex Bolt GR5
9	6	418-0040-00	3/8-16 X 1 HEX FLANGE BOLT GR 8 ZC YELLOW
10	8	418-0108-00	5/16 x1 Hex C/S (GR8) ZC/Yel
11	1	426-0464-00	Stand On Brake Lock Lever Lower Plate Short
12	1	426-0465-00	Stand On Brake Lock Lever Upper Plate Long
13	2	426-0474-00	Stand On Brake Lock Handle Split Collar Plate
14	1	429-0006-00	PLASTIC T-HANDLE, WELD-ON RETRACTABLE PLUNGER
15	1	439-0669-00	Stand On Brake Lever Bracket
16	1	439-0673-00	Stand On Control Panel mount Right side
17	1	439-0674-00	Stand On Control Panel mount Left side
18	1	439-0675-00	Stand On Control Panel Bracket
19	1	484-0002-00	Stand Up Mower Brake Arm Grip
20	1	490-0432-02	Stand On Brake Handle Assembly
21	1	490-0438-02	Stand On Stationary Handlebar Assembly
22	1	490-0441-02	Stand On Adjustable Handlebar Assembly

Deck Height Adjuster Assembly

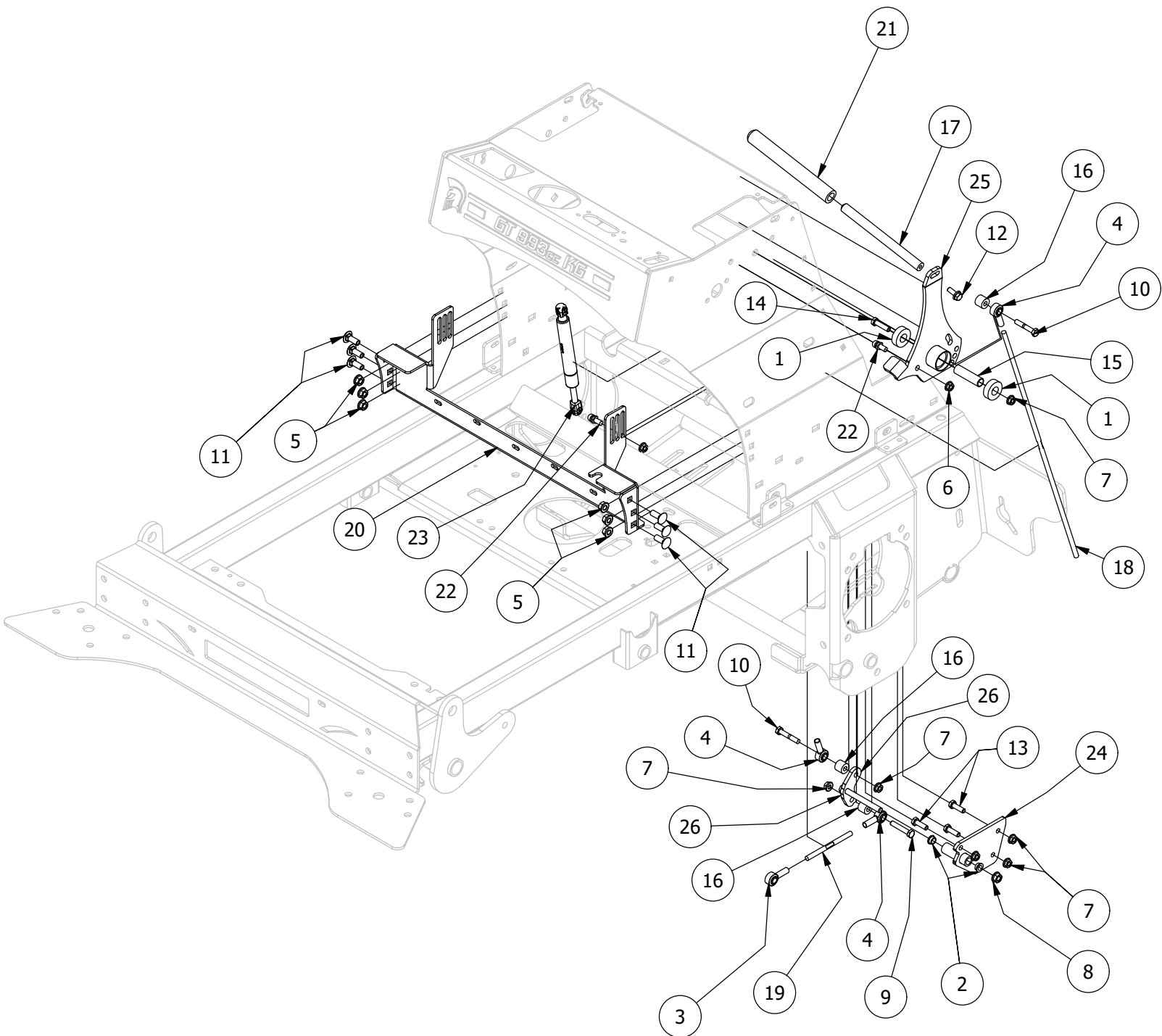


Deck Height Adjuster Assembly

ITEM	QTY	PART NUMBER	DESCRIPTION
1	13	410-0009-00	1/2" ID X 3/4" OD X 3/8" LENGTH FLANGE BUSHING
2	1	410-0074-00	Stand On Deck Height Bushing
3	10	413-0002-00	1/2-13 NYLON INSERT FLANGE NUT ZINC YELLOW
4	7	413-0022-00	5/16-18 HEX FLANGE NUT W/SERR ZINC YELLOW
5	2	414-0015-00	1-1/4" Round Tube Plug
6	5	418-0008-00	5/16-18 X 3/4 CARRIAGE BOLT ZINC
7	1	418-0021-00	1/2-13 X 3-3/4 HEX C/S GR 5 ZINC
8	2	418-0042-00	1/2-13 X 3-1/2 HEX C/S GR 5 ZINC YELLOW
9	5	418-0047-00	1/2-13 X 1-1/2 HEX FLANGE BOLT GR 8 ZINC YELLOW
10	1	418-0247-00	1/2"-13x2-1/4 Gr8 Hex Cap Scr
11	1	418-0248-00	1/2-13 X 1-1/2 CARRIAGE BOLT (GR.5) ZC/YEL
12	1	418-0274-00	3/8-16 X 2-3/4 HEX FLANGE BOLT (GR.8) ZC/YEI
13	1	419-0009-00	5/16 SPLIT LOCKWASHER ZINC
14	1	419-0028-00	flat washer 1.25OD-.38ID- .125 thick Black Plastic
15	1	420-0009-00	Stand On Deck Height Adjuster Magnetic Pin
16	1	426-0466-00	Stand On Foot Peg Mount Plate
17	1	426-0468-00	Stand On Deck Height Link Arm
18	1	426-0479-00	Stand On Deck Height Bracket Left Actuator Side
19	1	431-0004-00	Deck Height Brkt Right side
20	1	434-0008-00	RZ Deck Assist Gas Spring
21	1	435-0009-00	Mower Deck Height Left Link Arm
22	1	435-0028-00	Stand On 1-1/4" Inch Foot Peg
23	1	439-0660-00	Stand On Deck Height Arm Pivot bracket
24	1	439-0676-00	Stand On Deck Height Pin Bracket
25	2	487-0005-00	Control Arm Damper Ball Stud
26	1	490-0428-02	Stand On Height Indicator Assembly
27	1	490-0435-02	Stand On Rear Deck Height Link Assembly
28	1	613-2004-00	3/8"-16 Nyloc Jam Nut
29	1	618-6066-00	1/2"-13x2-1/4 Gr8 Hex Cap Scr

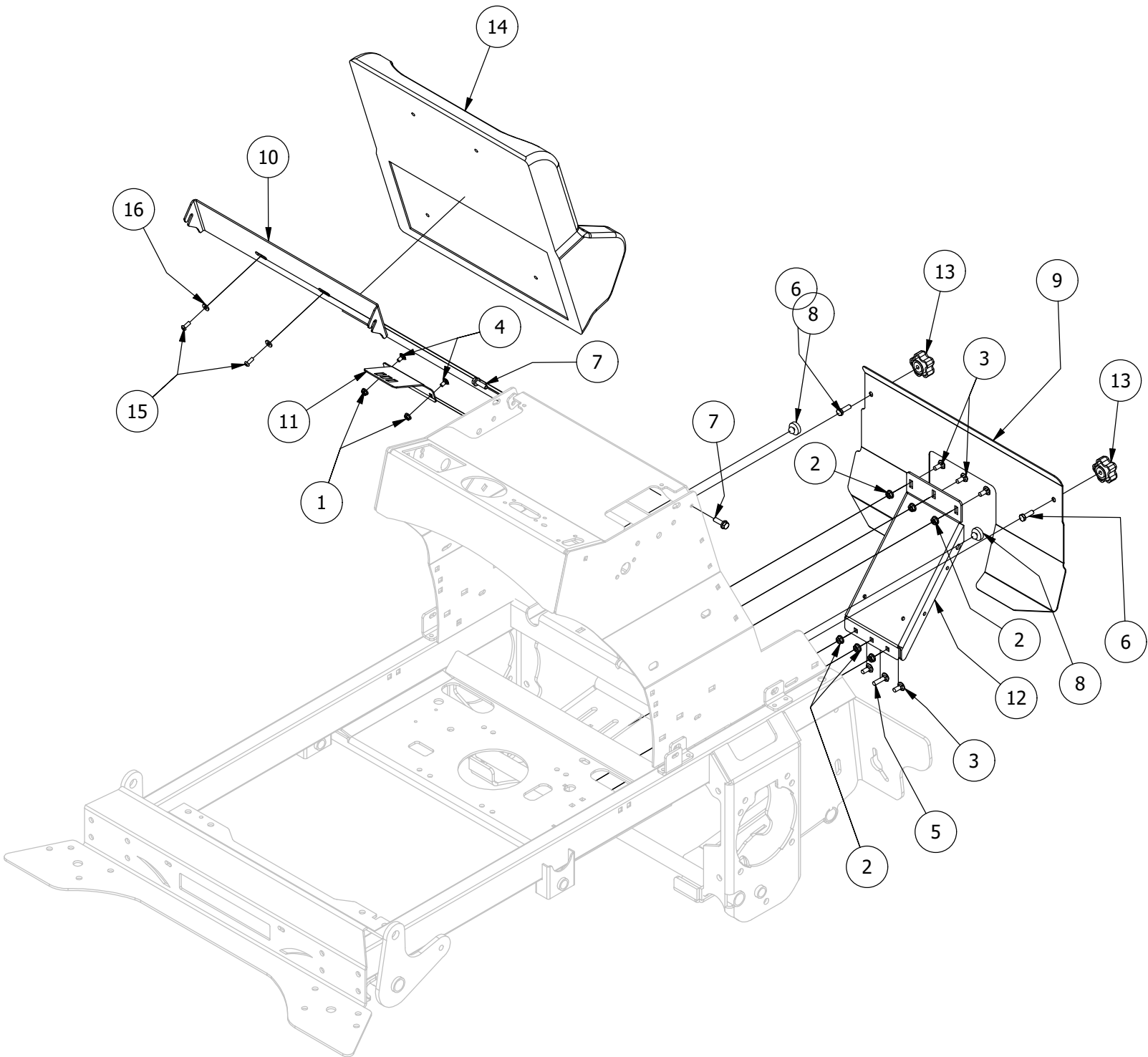
Right Drive Arm Assembly			
ITEM	QTY	PART NUMBER	DESCRIPTION
1	2	410-0005-00	5/8" ID X 1-3/8" OD X 7/16" THK BEARING
2	2	410-0067-00	Bronze Bushing
3	1	410-0070-00	5/16-24 SPHERICAL ROD END ZINC LEFT HAND THD FEMALE
4	3	410-0071-00	5/16-24 SPHERICAL ROD END ZINC RIGHT HAND THD FEMALE
5	6	413-0020-00	3/8-16 HEX FLANGE NUT W/SERR ZINC YELLOW
6	2	413-0022-00	5/16-18 HEX FLANGE NUT W/SERR ZINC YELLOW
7	7	413-0027-00	5/16-18 NYLON INSERT FLANGE LOCKNUT ZC YELLOW
8	1	413-0029-00	3/8-16 NYLON INSERT FLANGE L/NUT ZC YELLOW
9	1	418-0024-00	5/16-18 X 1-3/4 HEX C/S GR 5 ZINC
10	2	418-0027-00	5/16-18 X 1-3/4 HEX C/S GR 2 ZINC
11	6	418-0045-00	3/8-16 X 1 Carriage Bolt Zinc Yellow
12	1	418-0048-00	5/16-18 X 3/4 HEX FLANGE BOLT GR 8 ZC YELLOW
13	3	418-0108-00	5/16 x1 Hex C/S (GR8) ZC/Yel
14	1	418-0109-00	5/16- 18 x 1 1/4 Hex C/S (GR.8) ZC/Yel
15	1	425-0004-00	Mower Drive Arm Hub & Deck Lift Arm Spacer
16	3	425-0030-00	Stand On Drive arm pivot spacer
17	1	435-0027-00	Stand On Drive Handle Rod
18	1	435-0030-00	Stand On Upper Drive Rod (Long)
19	1	435-0031-00	Stand on Bottom Transmission Drive Arm Rod
20	1	439-0679-00	Stand On drive arm gas shock mount bracket
21	1	484-0003-00	Stand Up Mower Drive Arm Grip
22	2	487-0005-00	Control Arm Damper Ball Stud
23	1	487-0011-00	Stand-On Mower Control Handle Damper
24	1	490-0426-00	Stand On Right Lower Drive Arm Pivot Assembly
25	1	490-0429-02	Stand On Left Drive Arm Bracket Assembly
26	1	490-0455-02	Stand on Drive Arm Pivot Bolt Assembly Right Side

Left Drive Arm Assembly



Left Drive Arm Assembly			
ITEM	QTY	PART NUMBER	DESCRIPTION
1	2	410-0005-00	5/8" ID X 1-3/8" OD X 7/16" THK BEARING
2	2	410-0067-00	Bronze Bushing
3	1	410-0070-00	5/16-24 SPHERICAL ROD END ZINC LEFT HAND THD FEMALE
4	3	410-0071-00	5/16-24 SPHERICAL ROD END ZINC RIGHT HAND THD FEMALE
5	6	413-0020-00	3/8-16 HEX FLANGE NUT W/SERR ZINC YELLOW
6	2	413-0022-00	5/16-18 HEX FLANGE NUT W/SERR ZINC YELLOW
7	7	413-0027-00	5/16-18 NYLON INSERT FLANGE LOCKNUT ZC YELLOW
8	1	413-0029-00	3/8-16 NYLON INSERT FLANGE L/NUT ZC YELLOW
9	1	418-0024-00	5/16-18 X 1-3/4 HEX C/S GR 5 ZINC
10	2	418-0027-00	5/16-18 X 1-3/4 HEX C/S GR 2 ZINC
11	6	418-0045-00	3/8-16 X 1 Carriage Bolt Zinc Yellow
12	1	418-0048-00	5/16-18 X 3/4 HEX FLANGE BOLT GR 8 ZC YELLOW
13	3	418-0108-00	5/16 x1 Hex C/S (GR8) ZC/Yel
14	1	418-0109-00	5/16- 18 x 1 1/4 Hex C/S (GR.8) ZC/Yel
15	1	425-0004-00	Mower Drive Arm Hub & Deck Lift Arm Spacer
16	3	425-0030-00	Stand On Drive arm pivot spacer
17	1	435-0027-00	Stand On Drive Handle Rod
18	1	435-0030-00	Stand On Upper Drive Rod (Long)
19	1	435-0031-00	Stand on Bottom Transmission Drive Arm Rod
20	1	439-0679-00	Stand On drive arm gas shock mount bracket
21	1	484-0003-00	Stand Up Mower Drive Arm Grip
22	2	487-0005-00	Control Arm Damper Ball Stud
23	1	487-0011-00	Stand-On Mower Control Handle Damper
24	1	490-0427-02	Stand On Left Lower Drive Arm Pivot Assembly
25	1	490-0430-02	Stand On Right Drive Arm Bracket Assembly
26	1	490-0454-02	Stand on Drive Arm pivot Bolt Assembly Left side

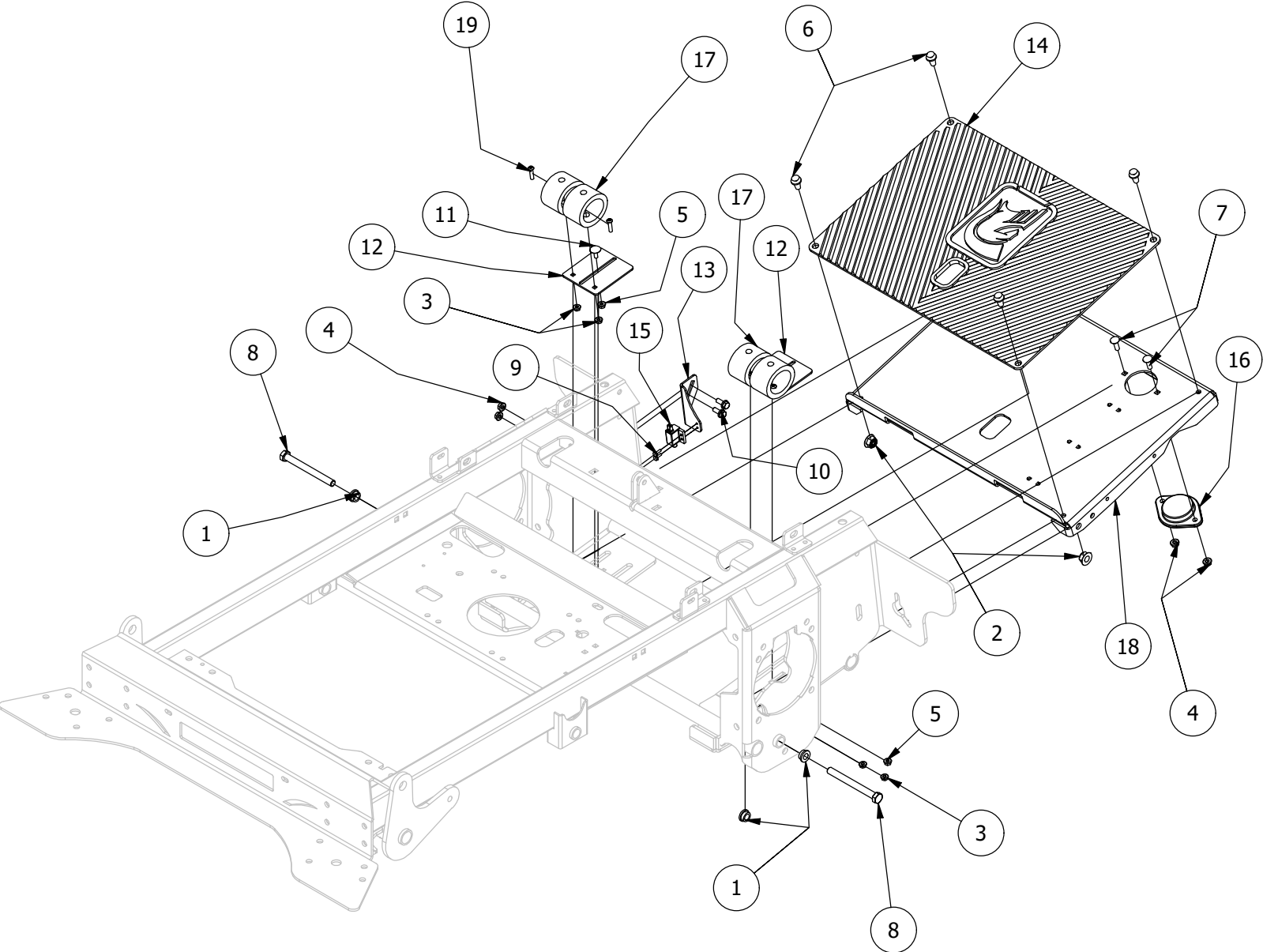
Knee Rest Assembly



Knee Rest Assembly

ITEM	QTY	PART NUMBER	DESCRIPTION
1	2	413-0012-00	1/4-20 HEX FLANGE NUT W/SERRATIONS ZC YELLOW
2	6	413-0022-00	5/16-18 HEX FLANGE NUT W/SERR ZINC YELLOW
3	5	418-0008-00	5/16-18 X 3/4 CARRIAGE BOLT ZINC
4	2	418-0031-00	1/4-20 X 1/2 CARRIAGE BOLT ZC YELLOW
5	1	418-0062-00	5/16-18 X 1-1/4 CARRIAGE BOLT ZC/YEL
6	2	418-0108-00	5/16 x1 Hex C/S (GR8) ZC/Yel
7	2	418-0249-00	5/16-18 X 1 IND HWH UNSLOT (TRI-LOB) TRS ZC/YL
8	2	429-0002-00	Push-In Rubber Bumper, Mower Floor
9	1	439-0654-00	Stand On Foot Guard
10	1	439-0658-00	Stand On Knee Pad Upper Bracket
11	1	439-0662-00	Stand On Fuse Holder
12	1	439-0670-00	Stand On Seat Shock Mount Bracket
13	2	445-0005-00	5/16-18 5-LOBE (STAR) FEMALE SOFT TOUCH KNOB (1.90 DIA) BLK
14	1	471-0039-00	BushRanger Stand-On Lean Pad
15	2	618-8064-50	1/4-20 x 5/8 Button Socket C/S
16	2	619-0010-00	1/4 USS Flat Washer 18-8 SS

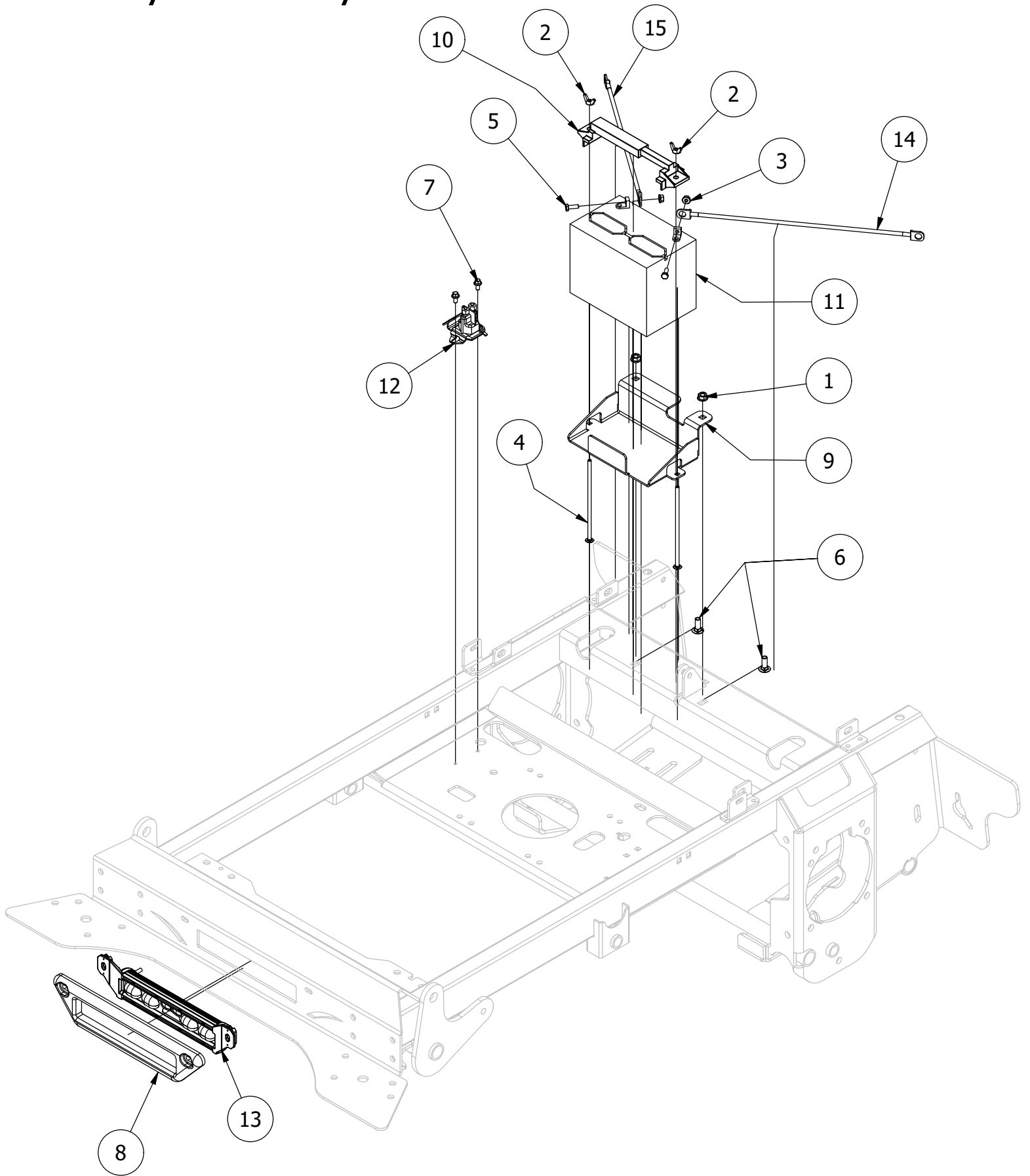
Foot Plate Assembly



Foot Plate Assembly

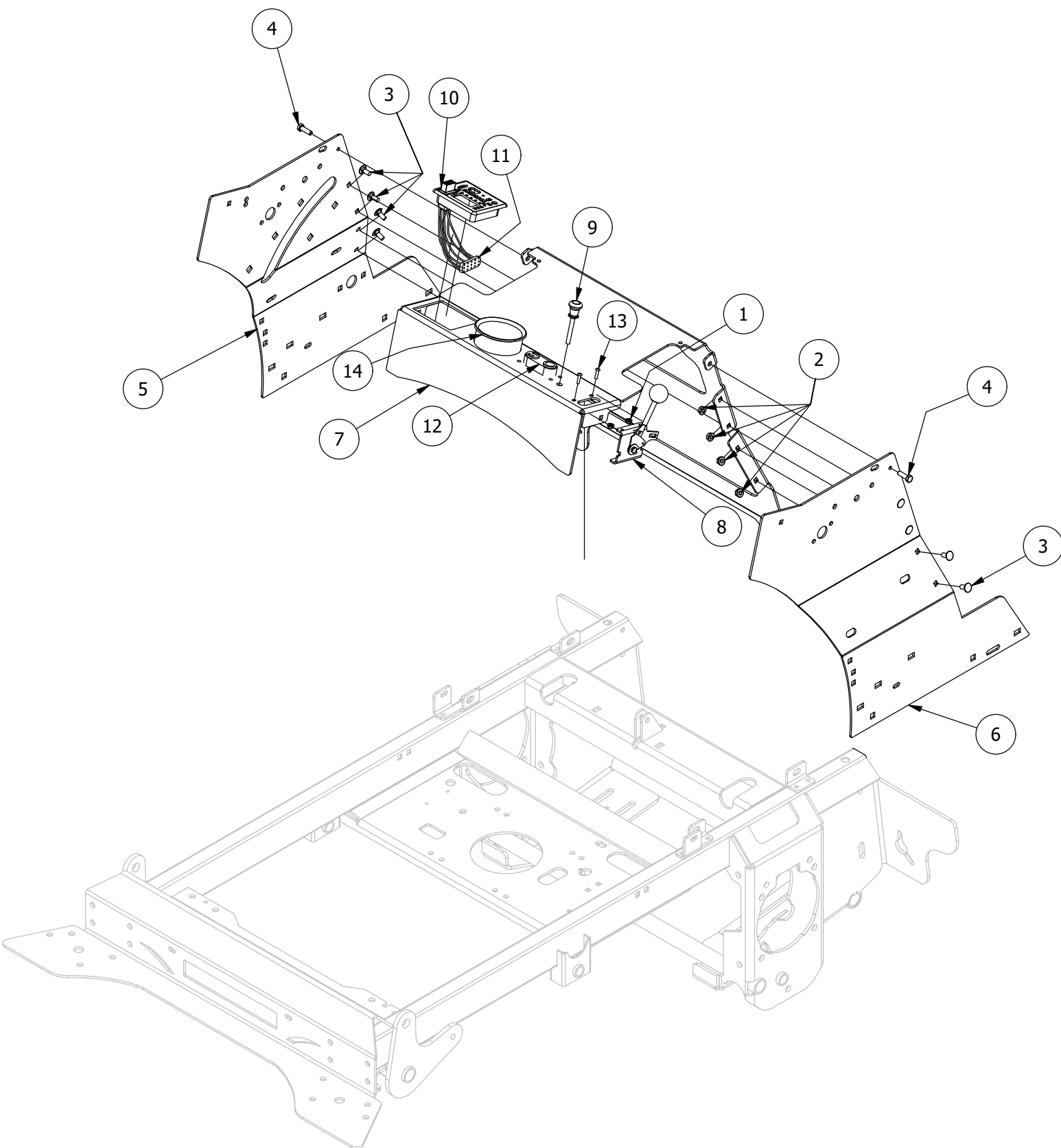
ITEM	QTY	PART NUMBER	DESCRIPTION
1	4	410-0009-00	1/2" ID X 3/4" OD X 3/8" LENGTH FLANGE BUSHING
2	2	413-0002-00	1/2-13 NYLON INSERT FLANGE NUT ZINC YELLOW
3	4	413-0012-00	1/4-20 HEX FLANGE NUT W/SERRATIONS ZC YELLOW
4	4	413-0022-00	5/16-18 HEX FLANGE NUT W/SERR ZINC YELLOW
5	2	413-0026-00	1/4-20 NYLON INSERT FLANGE L/NUT ZINC
6	4	414-0002-00	8MM PUSH TYPE RETAINER NYLON BLACK
7	2	418-0010-00	5/16-18 X 1 CARRIAGE BOLT ZC/YEL
8	2	418-0016-00	1/2-13 X 5 HEX C/S GR 2 ZINC YELLOW
9	2	418-0032-00	8-32 X 1/2 IND. HWH SLOT TYPE F TCS ZINC
10	2	418-0048-00	5/16-18 X 3/4 HEX FLANGE BOLT GR 8 ZC YELLOW
11	2	418-0052-00	1/4-20 X 3/4 CARRIAGE BOLT ZINC
12	2	426-0477-00	Stand On Seat Suspension Elastomer plate
13	1	439-0672-00	Stand On Footplate Safety Switch Bracket
14	1	481-0006-00	2017 Mower Logo Floor Mat
15	1	486-0030-00	NO Plunger Limit Switch
16	1	486-0050-00	Stand-On Mower Foot Plate Plunger Switch
17	4	487-0012-00	Stand-On Platform Radial Bumper
18	1	490-0461-02	Stand On Footplate Assembly
19	4	618-2037-50	1/4-20 X1 Button Socket C/S Black

Battery Assembly



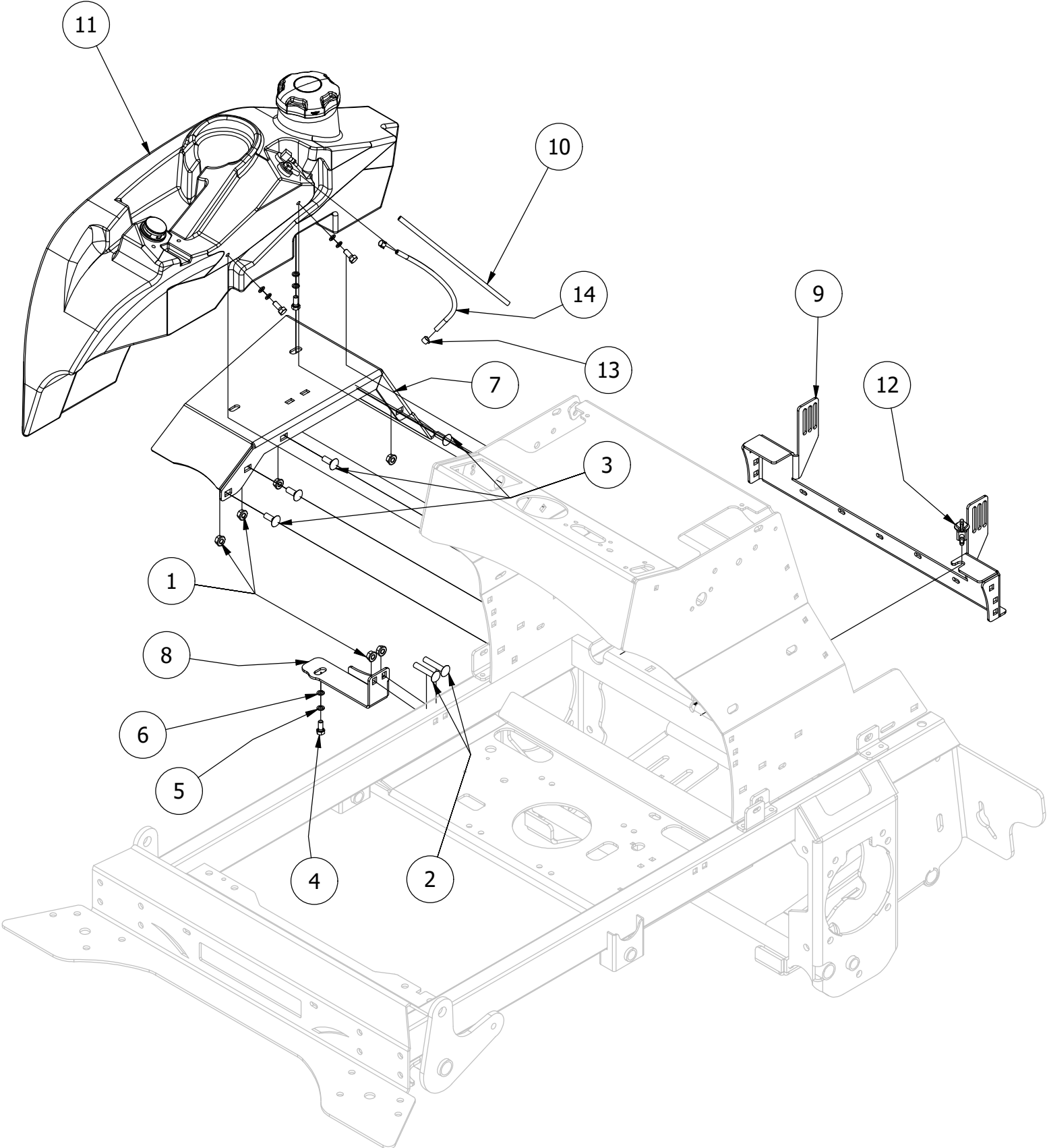
Battery Assembly			
ITEM	QTY	PART NUMBER	DESCRIPTION
1	2	413-0020-00	3/8-16 HEX FLANGE NUT W/SERR ZINC YELLOW
2	2	413-0025-00	1/4-20 WING NUT ZINC
3	2	413-0026-00	1/4-20 NYLON INSERT FLANGE L/NUT ZINC
4	2	418-0034-00	1/4-20 X 7 CARRIAGE BOLT ZINC
5	2	418-0035-00	1/4-20 X 3/4 HEX C/S GR 2 ZINC
6	2	418-0045-00	3/8-16 X 1 Carriage Bolt Zinc Yellow
7	2	418-0059-00	1/4-20 X 1/2 IND. HWH SLOT F TCS ZINC
8	1	429-0003-00	Mower Front Nylon Bumper
9	1	439-0657-00	Stand On Mower Battery Box
10	1	443-0001-00	Battery Hold Down
11	1	468-1004-00	12-V Mower Starter Battery
12	1	486-0006-00	Mower Starter Solenoid
13	1	486-0042-00	Full Beam With Lighted Helmet Light Bar
14	1	486-0048-00	Stand-On Positive Battery Cable; 16"
15	1	486-0049-00	Stand-On Negative Battery Cable; 14"

Control Panel Assembly



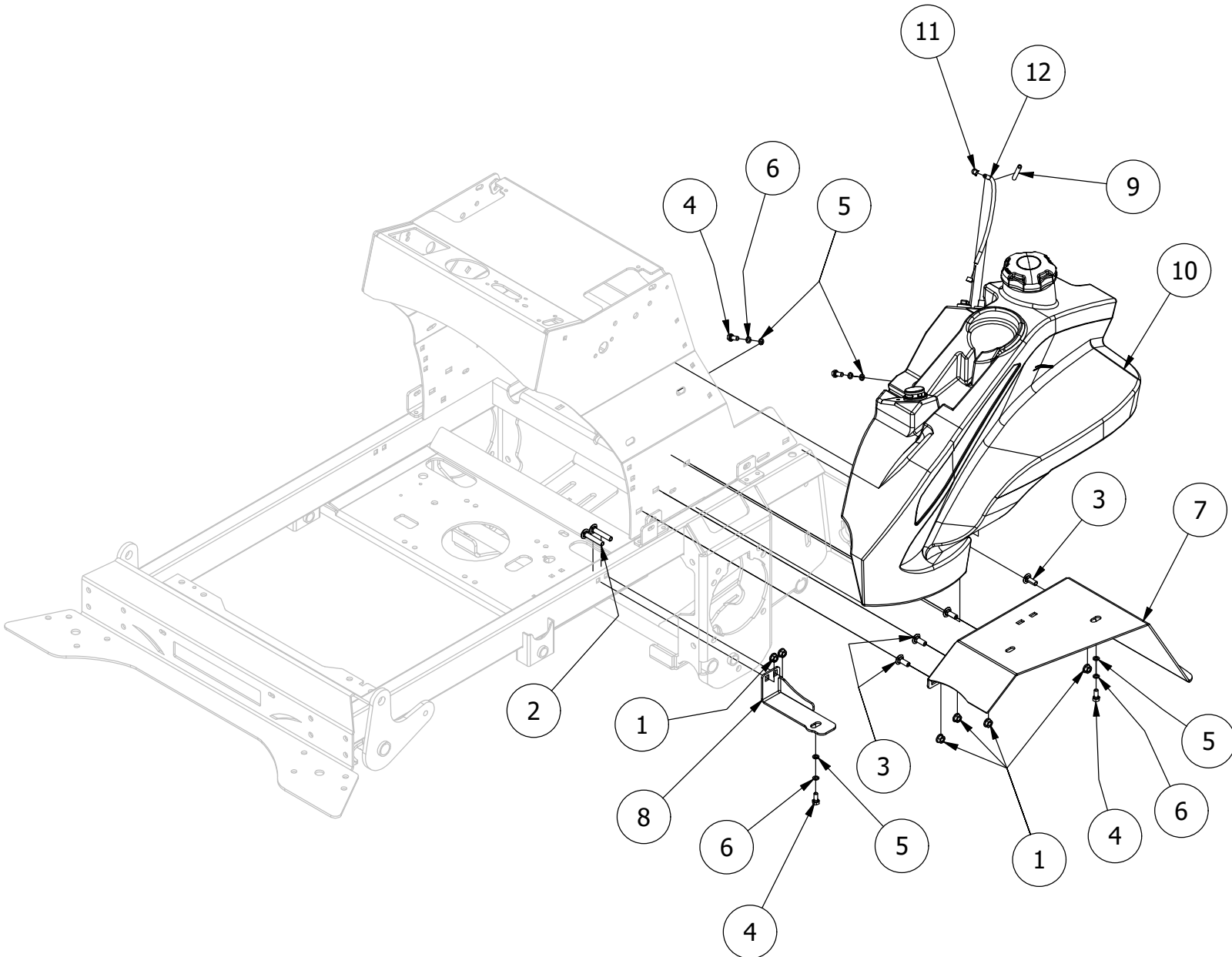
Control Panel Assembly			
ITEM	QTY	PART NUMBER	DESCRIPTION
1	2	413-0008-00	10-24 NYLON INSERT LOCKNUT 18-8 SS
2	8	413-0022-00	5/16-18 HEX FLANGE NUT W/SERR ZINC YELLOW
3	8	418-0008-00	5/16-18 X 3/4 CARRIAGE BOLT ZINC
4	2	418-0108-00	5/16 x1 Hex C/S (GR8) ZC/Yel
5	1	439-0673-00	Stand On Control Panel mount Right side
6	1	439-0674-00	Stand On Control Panel mount Left side
7	1	439-0675-00	Stand On Control Panel Bracket
8	1	464-0001-00	Mower Throttle Cable Assembly w / Handle
9	1	464-0002-00	Choke Cable
10	1	486-0046-00	Stand-On Control Console-Carbureted
11	1	486-0051-00	Stand-On Mower FX801/ FT730 Harness
12	1	586-0019-00	eNVy/ Stand On Mower Dual Power Port
13	2	618-8057-50	10-24 x 3/4 Button Socket
14	1	780-2220-00	Cup Holder

Right Gas Tank Assembly



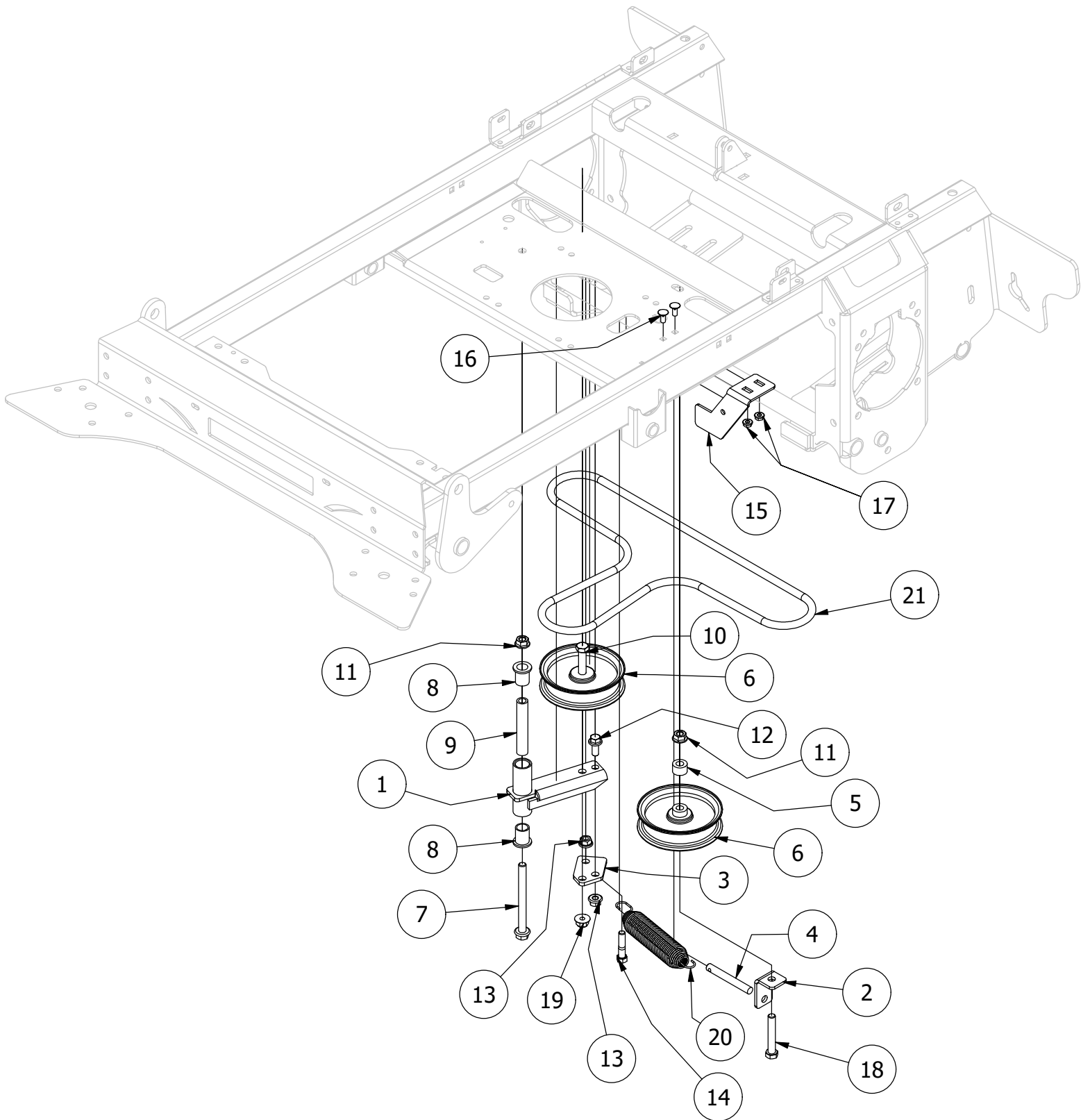
Right Gas Tank Assembly			
ITEM	QTY	PART NUMBER	DESCRIPTION
1	6	413-0020-00	3/8-16 HEX FLANGE NUT W/SERR ZINC YELLOW
2	2	418-0033-00	3/8-16 X 2 CARRIAGE BOLT ZINC
3	4	418-0045-00	3/8-16 X 1 Carriage Bolt Zinc Yellow
4	4	418-0054-00	5/16-18 X 3/4 HEX C/S ZINC
5	4	419-0007-00	5/16 Flat Washer
6	4	419-0009-00	5/16 SPLIT LOCKWASHER ZINC
7	1	439-0653-00	Stand On Fender Right Side
8	1	439-0678-00	Stand On Fuel Tank Bracket Right Side
9	1	439-0679-00	Stand On drive arm gas shock mount bracket
10	1	451-0002-00	Mower Fuel Tank Black 3/16" Vent Tube
11	1	467-0026-00	Stand On Right Side Gas Tank Assembly
12	1	467-0030-00	Stand-On Fuel Selector/Shut Off Valve(Dapco 13667)
13	2	472-0004-00	1/2" (#8) Hose Clamp
14	1	751-1014-00	1/4 Fuel Line - Low Perm

Left Gas Tank Assembly



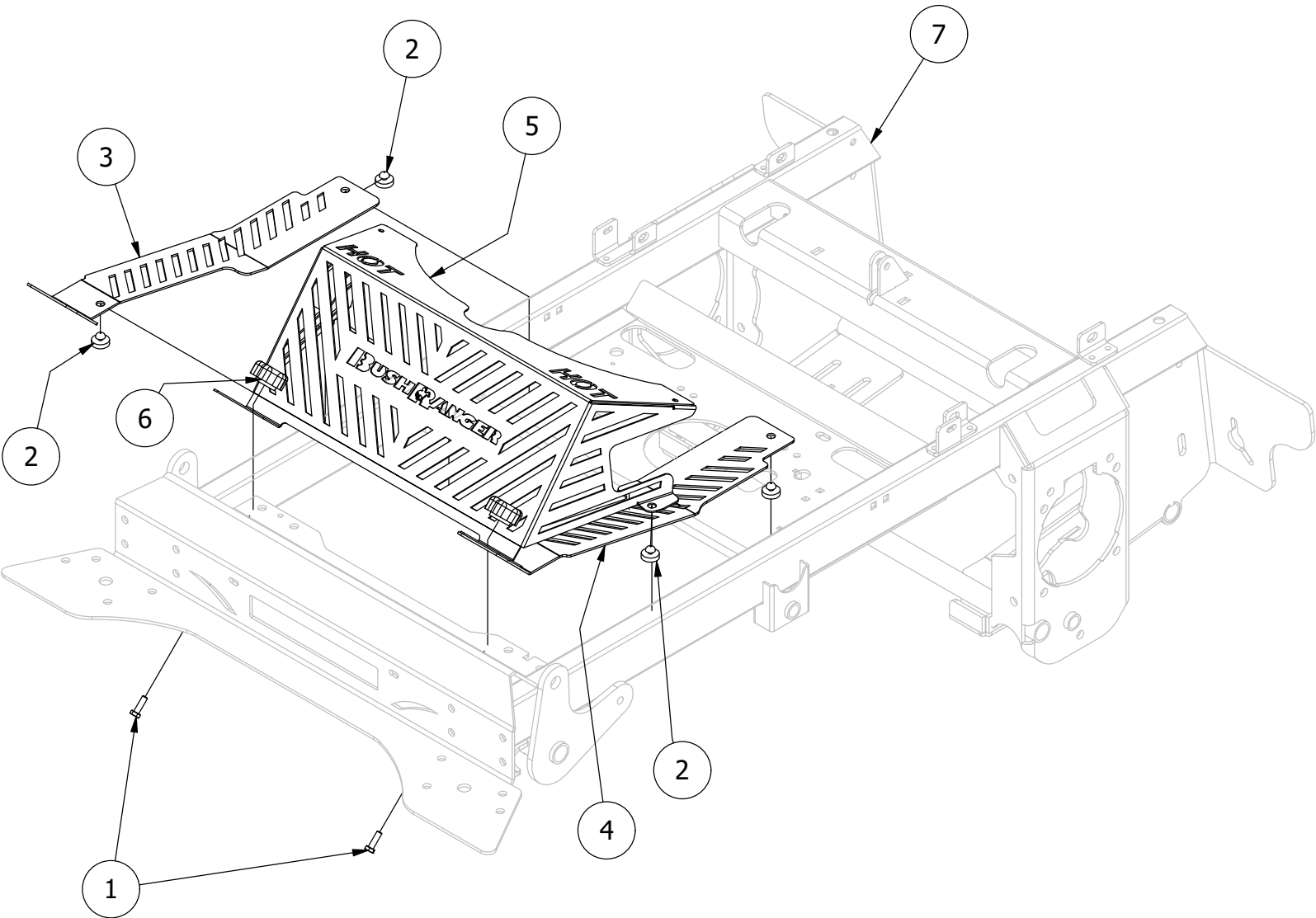
Left Gas Tank Assembly			
ITEM	QTY	PART NUMBER	DESCRIPTION
1	6	413-0020-00	3/8-16 HEX FLANGE NUT W/SERR ZINC YELLOW
2	2	418-0033-00	3/8-16 X 2 CARRIAGE BOLT ZINC
3	4	418-0045-00	3/8-16 X 1 Carriage Bolt Zinc Yellow
4	4	418-0054-00	5/16-18 X 3/4 HEX C/S ZINC
5	4	419-0007-00	5/16 Flat Washer
6	4	419-0009-00	5/16 SPLIT LOCKWASHER ZINC
7	1	439-0652-00	Stand On Fender Left Side
8	1	439-0677-00	Stand On Fuel Tank Bracket Left Side
9	1	451-0002-00	Mower Fuel Tank Black 3/16" Vent Tube
10	1	467-0027-00	Stand On Left Side Gas Tank Assembly
11	2	472-0004-00	1/2" (#8) Hose Clamp
12	1	751-1014-00	1/4 Fuel Line - Low Perm

Idler Pulley Assembly



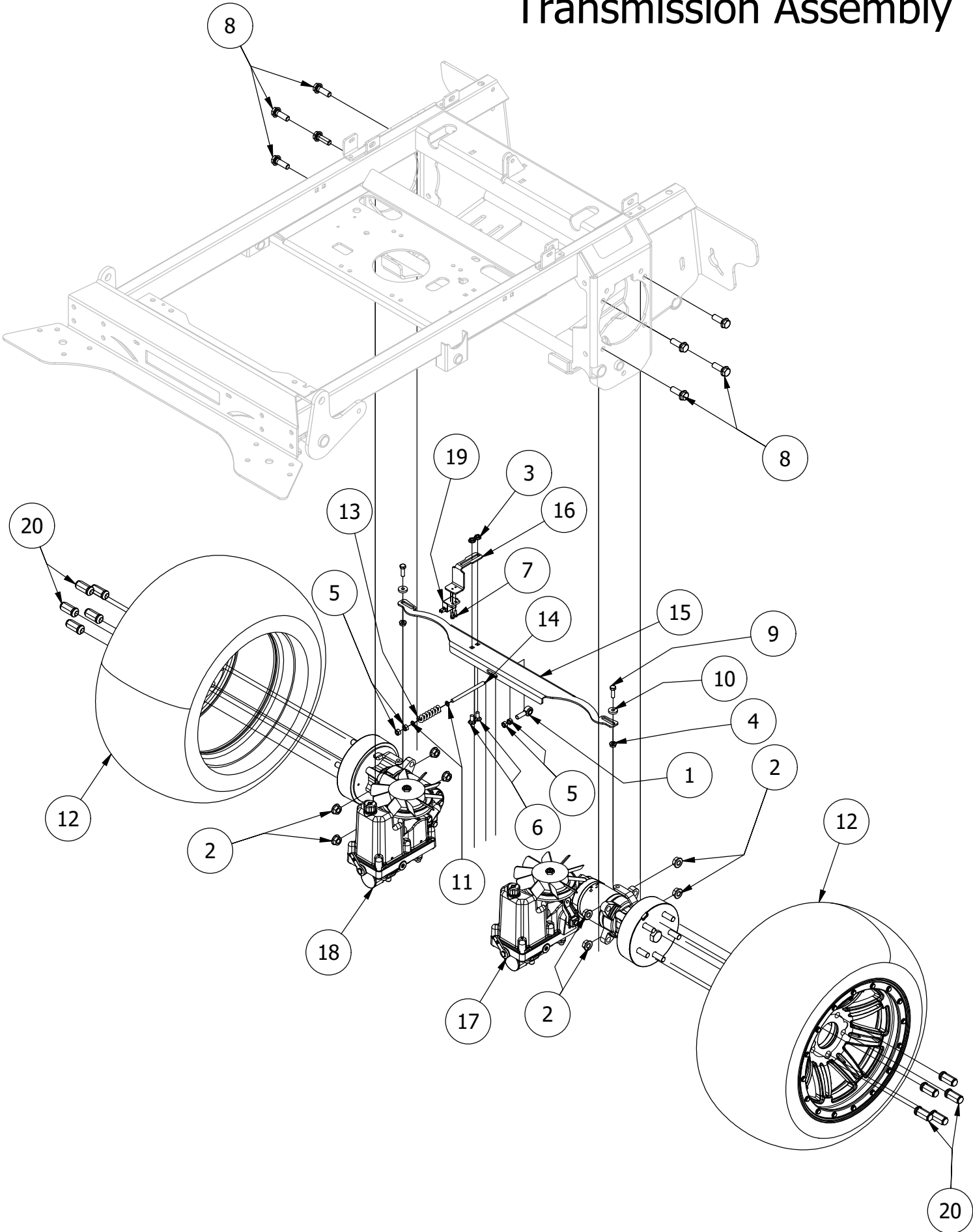
Idler Pully Assembly			
ITEM	QTY	PART NUMBER	DESCRIPTION
1	1	490-0018-00	Mower Pump Idler Assembly
2	1	439-0655-00	Stand On Idler Pulley Tension Spring Mounting Bracket
3	1	426-0475-00	Stand On Pump Idler Extension Bracket
4	1	430-0001-00	Mower Pump Spring Tensioner
5	1	425-0027-00	.530 ID/ 1" OD X .625 Mower Pump Idler Spacer
6	2	433-0013-00	5-3/4" Idler Pulley, 7/16" Spacer Assembly
7	1	418-0009-00	1/2-13 X 5-1/2 HEX FLANGE BOLT GR 8 ZY
8	2	410-0007-00	3/4" ID X 15/16" OD X 1-1/8" LENGTH FLANGE BUSHING
9	1	425-0006-00	Mower Inner Idler Spacer
10	1	418-0012-00	1/2-13 X 2-1/4 HEX C/S GR 5 ZINC
11	2	413-0005-00	1/2-13 HEX FLANGE NUT W/SERR ZINC YELLOW
12	1	418-0099-00	7/16-14 X 1 HEX FLANGE BOLT (GR.8) ZC/YEL
13	2	413-0011-00	7/16-14 HEX FLANGE NUT W/SERR ZINC YELLOW
14	1	418-0046-00	7/16-14 X 2 HEX C/S GR 5 ZINC YELLOW
15	1	439-0656-00	Stand On Mower Clutch Bracket
16	2	418-0063-00	5/16-18 X 3/4 CARRIAGE BOLT ZINC YELLOW
17	2	413-0022-00	5/16-18 HEX FLANGE NUT W/SERR ZINC YELLOW
18	1	418-0084-00	1/2-13 x 3 Hex CS GR 5 Yellow Zince
19	1	413-0002-00	1/2-13 NYLON INSERT FLANGE NUT ZINC YELLOW
20	1	434-0007-00	2019 Mower Deck Spring
21	1	461-0019-00	Stand On Mower Pump Belt

Muffler Guard and Belt Cover Assembly



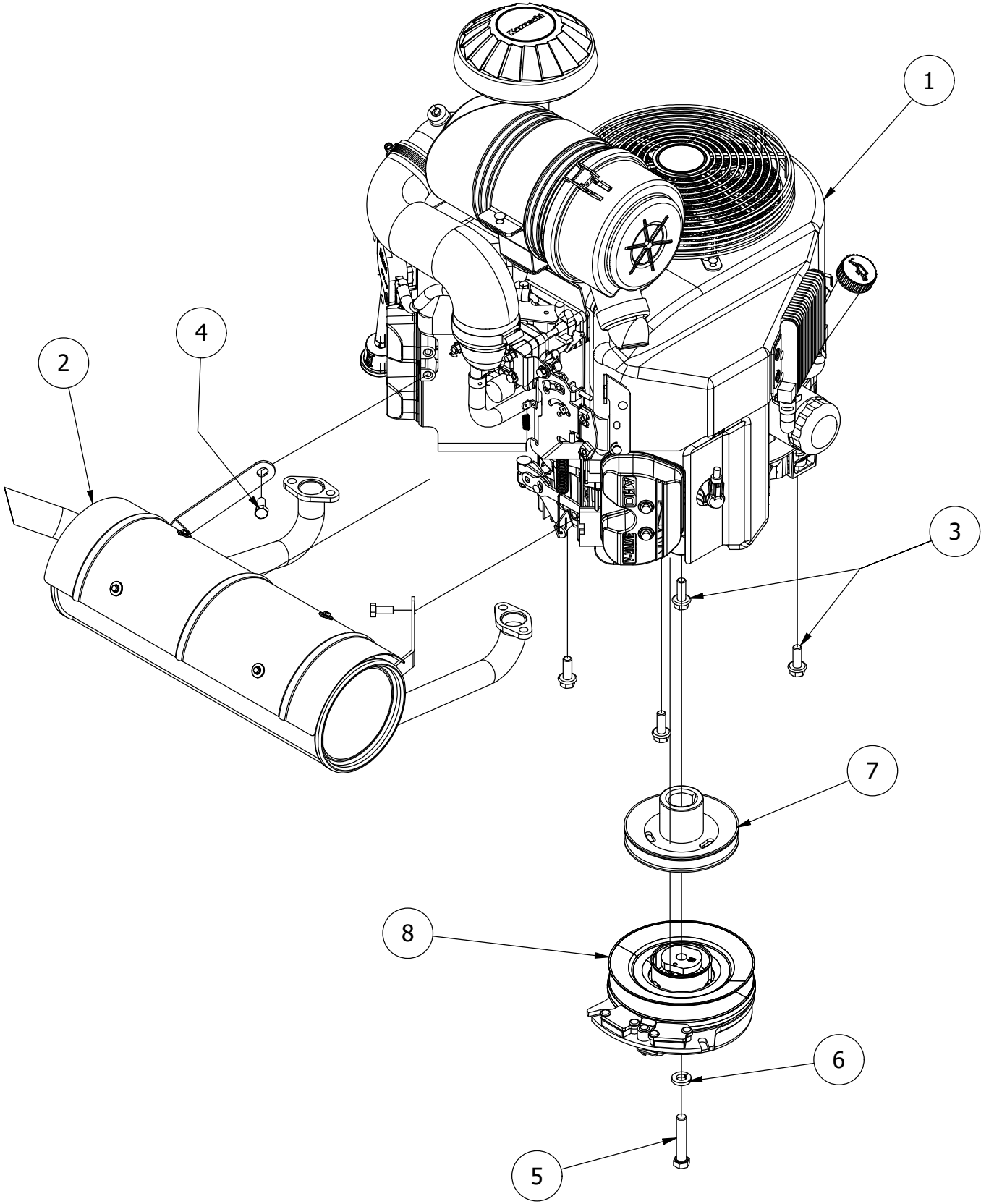
Muffler Guard and Belt Cover Assembly			
ITEM	QTY	PART NUMBER	DESCRIPTION
1	2	418-0108-00	5/16 x1 Hex C/S (GR8) ZC/Yel
2	6	429-0002-00	Push-In Rubber Bumper, Mower Floor
3	1	439-0682-00	Stand On Belt Cover Right Side
4	1	439-0683-00	Stand On Belt Cover Left Side
5	1	439-0760-00	Bushranger Stand On Muffler Heatshield
6	2	445-0005-00	5/16-18 5-LOBE (STAR) FEMALE SOFT TOUCH KNOB (1.90 DIA) BLK
7	1	490-0425-02	Stand On Frame Assembly

Transmission Assembly



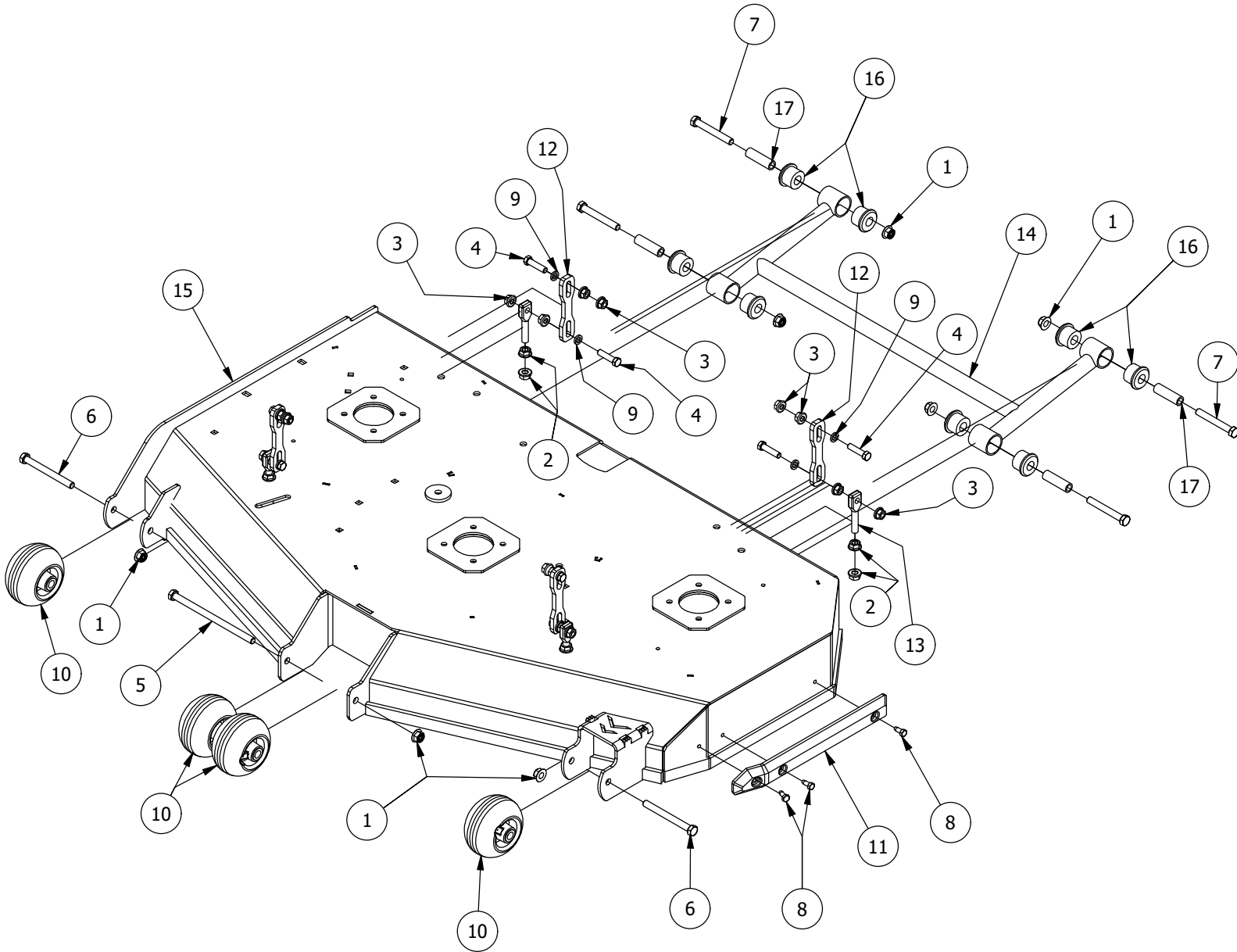
Transmission Assembly			
ITEM	QTY	PART NUMBER	DESCRIPTION
1	1	410-0071-00	5/16-24 SPHERICAL ROD END ZINC RIGHT HAND THD FEMALE
2	8	413-0005-00	1/2-13 HEX FLANGE NUT W/SERR ZINC YELLOW
3	2	413-0006-00	5/16-18 HEX FLANGE NUT W/SERR ZINC
4	2	413-0027-00	5/16-18 NYLON INSERT FLANGE LOCKNUT ZC YELLOW
5	4	413-0035-00	5/16-24 HEX NUT ZINC
6	2	418-0008-00	5/16-18 X 3/4 CARRIAGE BOLT ZINC
7	2	418-0032-00	8-32 X 1/2 IND. HWH SLOT TYPE F TCS ZINC
8	8	418-0047-00	1/2-13 X 1-1/2 HEX FLANGE BOLT GR 8 ZINC YELLOW
9	2	418-0108-00	5/16 x1 Hex C/S (GR8) ZC/Yel
10	2	419-0006-00	.312 ID X .875 OD X .1875 THK F/W NYLON BLK
11	2	419-0007-00	5/16 Flat Washer
12	2	422-0010-00	Alum Wheel Upgrade for 54" Deck (416 Wheel w/ 24x10.50-R12)
13	1	434-0016-00	Stand-On Brake Release Spring
14	1	435-0029-00	Stand On Brake Rod Short
15	1	439-0499-00	Stand on Mower Park Brake Bracket HTJ12
16	1	439-0661-00	Stand On Brake Interlock Bracket
17	1	450-0005-00	HTJ12 Parker Left Side Hydrostatic Transmission
18	1	450-0006-00	HTJ12 Parker Right Side Hydrostatic Transmission
19	1	486-0030-00	NO Plunger Limit Switch
20	10	613-0001-00	1/2 Lug Nut-44011- Front

Kawasaki FX801V Engine Assembly



Kawasaki FX801V Engine Assembly			
ITEM	QTY	PART NUMBER	DESCRIPTION
1	1	415-0089-00	Kawasaki FX801V Engine
2	1	415-0091-00	Exhaust for Kaw850/801 Stand-on
3	4	418-0023-00	3/8-16 X 1-1/8 IND HWH W/SERR TRI LOB ZY
4	2	418-0065-00	M8-1.25X20MM HEX FLANGE BOLT BLACK
5	1	418-0223-00	TTQ Clutch Bolt
6	1	419-0005-00	7/16 SPLIT LOCKWASHER GR 8 ZC YELLOW
7	1	433-0001-60	Stand On Drive Pulley, A Belt
8	1	470-0010-00	Stand-On Mower Warner Clutch

54" Deck Scalping Wheels and Stabilizer Assembly



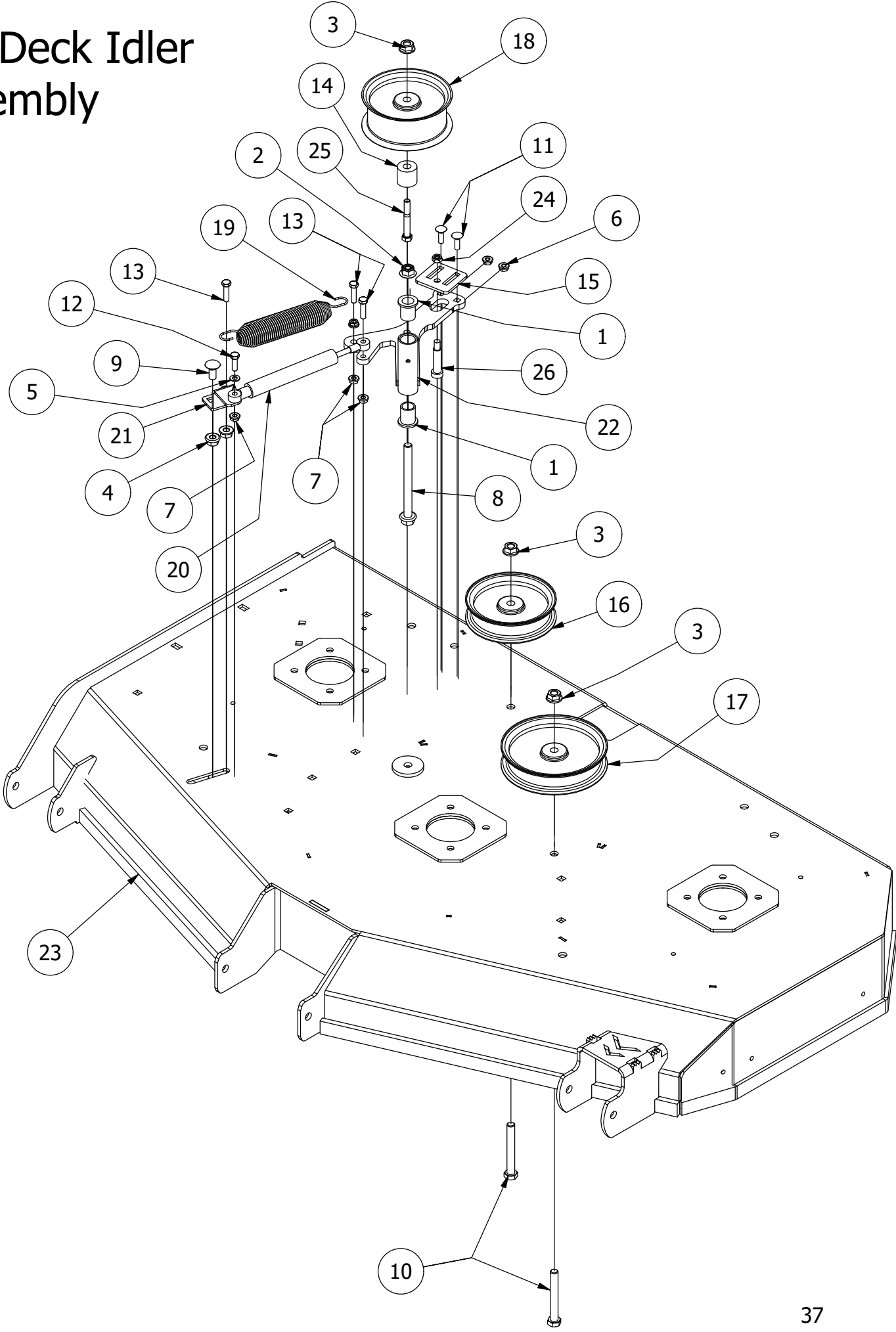
54" Deck Scalping Wheels and Stabilizer Assembly

ITEM	QTY	PART NUMBER	DESCRIPTION
1	7	413-0002-00	1/2-13 NYLON INSERT FLANGE NUT ZINC YELLOW
2	8	413-0005-00	1/2-13 HEX FLANGE NUT W/SERR ZINC YELLOW
3	16	413-0011-00	7/16-14 HEX FLANGE NUT W/SERR ZINC YELLOW
4	8	418-0011-00	7/16-14X 1-3/4 HEX C/S GR5 ZINC Yellow
5	1	418-0015-00	1/2-13 X 8-1/2 HEX C/S GR 2 ZINC YELLOW
6	2	418-0016-00	1/2-13 X 5 HEX C/S GR 2 ZINC YELLOW
7	4	418-0021-00	1/2-13 X 3-3/4 HEX C/S GR 5 ZINC
8	3	418-0262-00	5/16-18 X 3/4 IND HWH UNSLOT (F) TCS ZC/Y
9	8	419-0010-00	.443 ID X .750 OD X .125 THK NYLON BLACK
10	4	422-0001-00	Anti-Scalp Wheel
11	1	429-0001-00	Mower Nylon Deck Guard
12	4	435-0007-00	Mower Deck Link
13	4	448-0001-00	Mower Deck Height Adjustment Stud
14	1	490-0014-00	Mower 54"/61" Deck Frame Stabilizer Assembly
15	1	490-0446-00	54" Stand On Deck Assembly
16	8	732-2000-00	Large MTV A-Arm Bushing
17	4	732-2001-00	Large MTV A-Arm Bushing Sleeve

54" Spindles, Blades, Pulleys, and Covers

ITEM	QTY	PART NUMBER	DESCRIPTION
1	12	413-0004-00	3/8-16 HEX FLANGE NUT W/SERR ZINC
2	4	413-0005-00	1/2-13 HEX FLANGE NUT W/SERR ZINC YELLOW
3	2	413-0022-00	5/16-18 HEX FLANGE NUT W/SERR ZINC YELLOW
4	1	414-0018-00	48" & 54" Deck Left Pulley Cover
5	1	414-0032-00	Right Pulley Cover 54" Stand on
6	12	418-0005-00	3/8-16 x 1-1/4 Hex Bolt GR5
7	3	418-0006-00	1/2-20 X 1-1/4 HEX C/S GR 5 ZINC
8	2	418-0009-00	1/2-13 X 5-1/2 HEX FLANGE BOLT GR 8 ZY
9	2	418-0045-00	3/8-16 X 1 Carriage Bolt Zinc Yellow
10	3	418-0078-00	5/8-11 X 1-1/2 HEX C/S GR 8 ZC YELLOW
11	3	419-0001-00	1/2" X 1-5/8 BELLEVILLE CUP WASHER ZINC YELLOW
12	3	419-0004-00	5/8 SPLIT LOCKWASHER ZINC
13	4	425-0029-00	Stand On Pulley Cover Spacer
14	3	433-0004-00	Deck Pulley 54"
15	3	437-0027-00	Stand-On Mower Deck Spindle
16	3	438-0001-00	54" Mower Deck Blade
17	1	439-0399-00	2020 RT&SRT/RZ 54 Deck Wiper Brkt
18	3	442-0001-00	1/4 X 1 SQUARE KEY STOCK
19	4	445-0005-00	5/16-18 5-LOBE (STAR) FEMALE SOFT TOUCH KNOB (1.90 DIA) BLK
20	1	450-0064-00	Stand-On Outside Pulley Fan
21	1	461-0017-00	Stand-On Mower 54" Deck Belt
22	1	490-0446-00	54" Stand On Deck Assembly
23	4	618-1008-00	5/16-18 x 1-1/4 Pan Torx Tri Lob Zinc

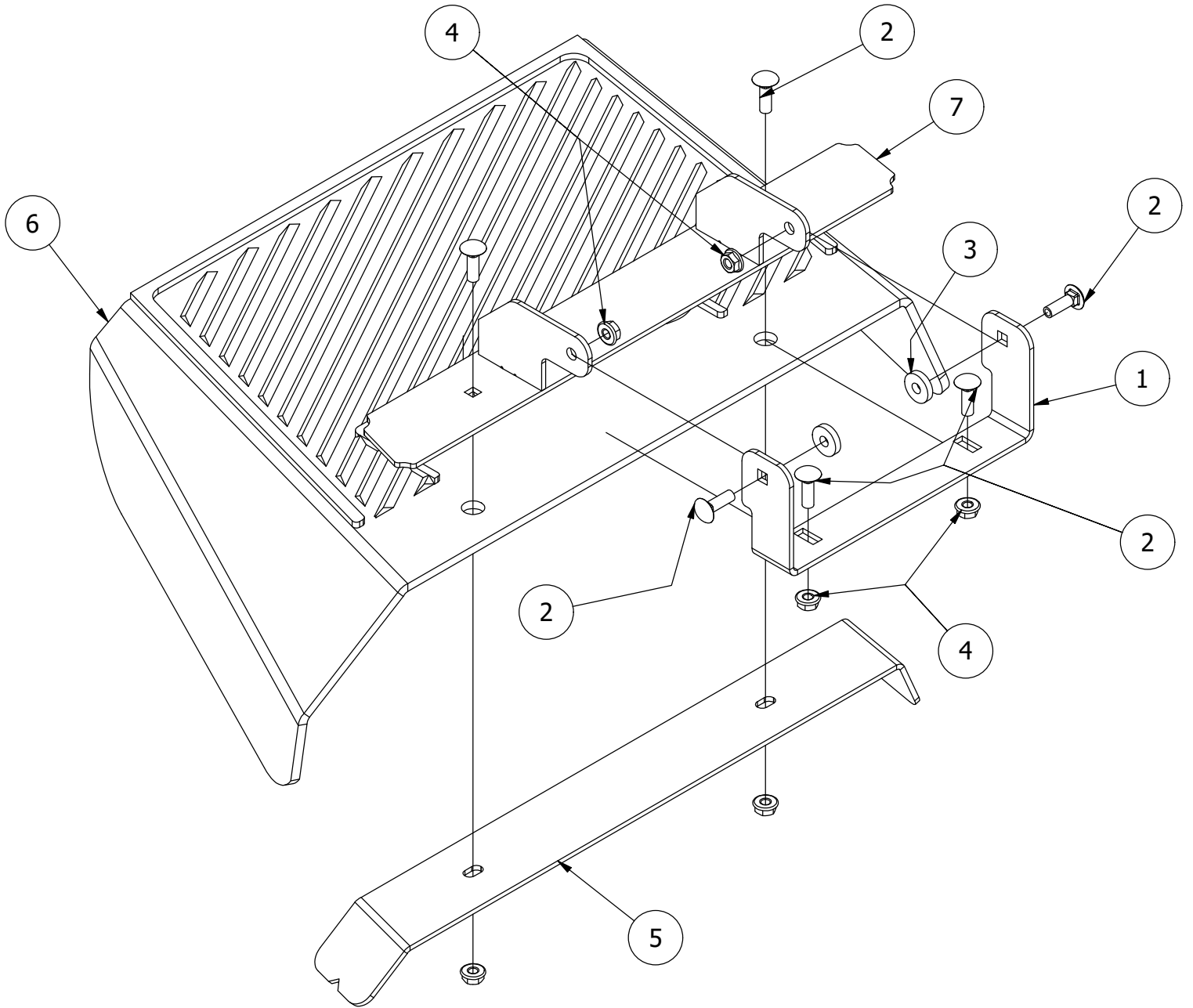
54" Deck Idler Assembly



54" Deck Idler Assembly

ITEM	QTY	PART NUMBER	DESCRIPTION
1	2	410-0007-00	3/4" ID X 15/16" OD X 1-1/8" LENGTH FLANGE BUSHING
2	1	413-0002-00	1/2-13 NYLON INSERT FLANGE LOCKNUT ZC YELLOW
3	3	413-0005-00	1/2-13 HEX FLANGE NUT W/SERR ZINC YELLOW
4	1	413-0011-00	7/16-14 HEX FLANGE NUT W/SERR ZINC YELLOW
5	1	413-0016-00	.312 ID X .625 OD X .062 THK THRUST BEARING OIL-IMPREG BRNZ
6	2	413-0022-00	5/16-18 HEX FLANGE NUT W/SERR ZINC YELLOW
7	4	413-0027-00	5/16-18 NYLON INSERT FLANGE LOCKNUT ZC YELLOW
8	1	418-0009-00	1/2-13 X 5-1/2 HEX FLANGE BOLT GR 8 ZY
9	1	418-0017-00	7/16-14 X 1 CARRIAGE BOLT ZINC
10	2	418-0021-00	1/2-13 X 3-3/4 HEX C/S GR 5 ZINC
11	2	418-0060-00	5/16-18 X 1 CARRIAGE BOLT ZINC YELLOW
12	1	418-0108-00	5/16 x1 Hex C/S (GR8) ZC/Yel
13	3	418-0109-00	5/16- 18 x 1 1/4 Hex C/S (GR.8) ZC/Yel
14	1	425-0031-00	Stand On Mower Deck Idler Spacer
15	1	426-0478-00	Stand On Deck Idler Pulley Belt Retainer Bracket
16	1	433-0013-00	5-3/4" Idler Pulley, 7/16" Spacer Assembly
17	1	433-0015-00	6-3/4" Idler Pulley, 15/16" Spacer Assembly
18	1	433-0020-00	Stand on 5.75" OD 2.345" tall Deck Idler Pulley
19	1	434-0007-00	2019 Mower Deck Spring
20	1	434-0009-00	Idler Gas Spring
21	1	439-0685-00	Stand On Deck Belt Idler Dampener Mounting Bracket
22	1	490-0431-02	Stand On Deck Idler Assembly
23	1	490-0446-00	54" Stand On Deck Assembly
24	1	613-2004-00	3/8"-16 Nyloc Jam Nut
25	1	618-2078-00	3/8-16 x 2-3/4 Hex C/S GR2 Zinc
26	1	618-6064-00	1/2"-20x1-3/4" Shoulder Bolt

Deck Chute Assembly



Deck Chute Assembly			
ITEM	QTY	PART NUMBER	DESCRIPTION
1	1	439-0111-00	Mower Chute Mounting Bracket
2	6	418-0060-00	5/16-18 X 1 CARRIAGE BOLT ZINC YELLOW
3	2	419-0006-00	.312 ID X .875 OD X .1875 THK F/W NYLON BLK
4	6	413-0027-00	5/16-18 NYLON INSERT FLANGE LOCKNUT ZC YELLOW
5	1	439-0190-00	2020 Deck Chute Hinge Backer Bracket
6	1	481-0011-00	2020 RT/SRT Rubber Discharge Chute
7	1	490-0056-02	RT/SRT Deck Chute Hinge Assembly

491-0188-00
Left Side Fuel Tank Decals



491-0189-00
Right Side Fuel Tank Decals



491-0157-00
Height Indicator Decal



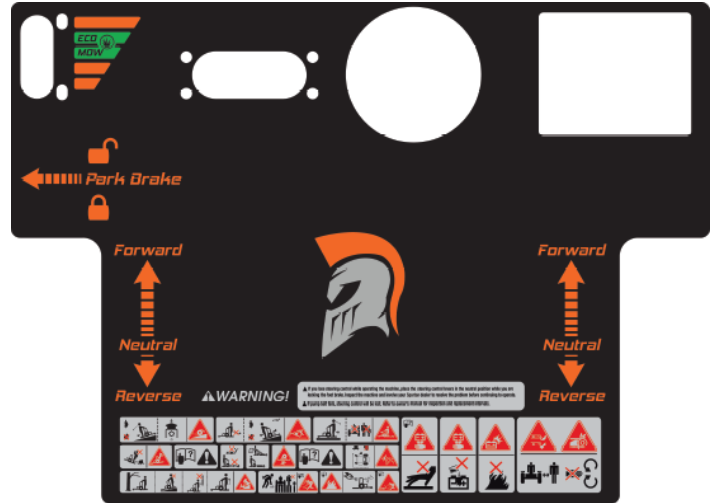
491-0196-00
EPA Compliance Label



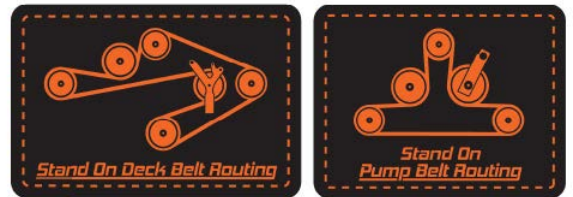
491-0185-00
54" Deck Decal



491-0160-00
Control Console Decal



491-0165-00
Belt Routing Decals



491-0162-00
852cc Model Decal



491-0193-00
King of Grass Decal



491-0155-00
Front Spartan Decal



491-0192-00
Fender KG XD Decal

