



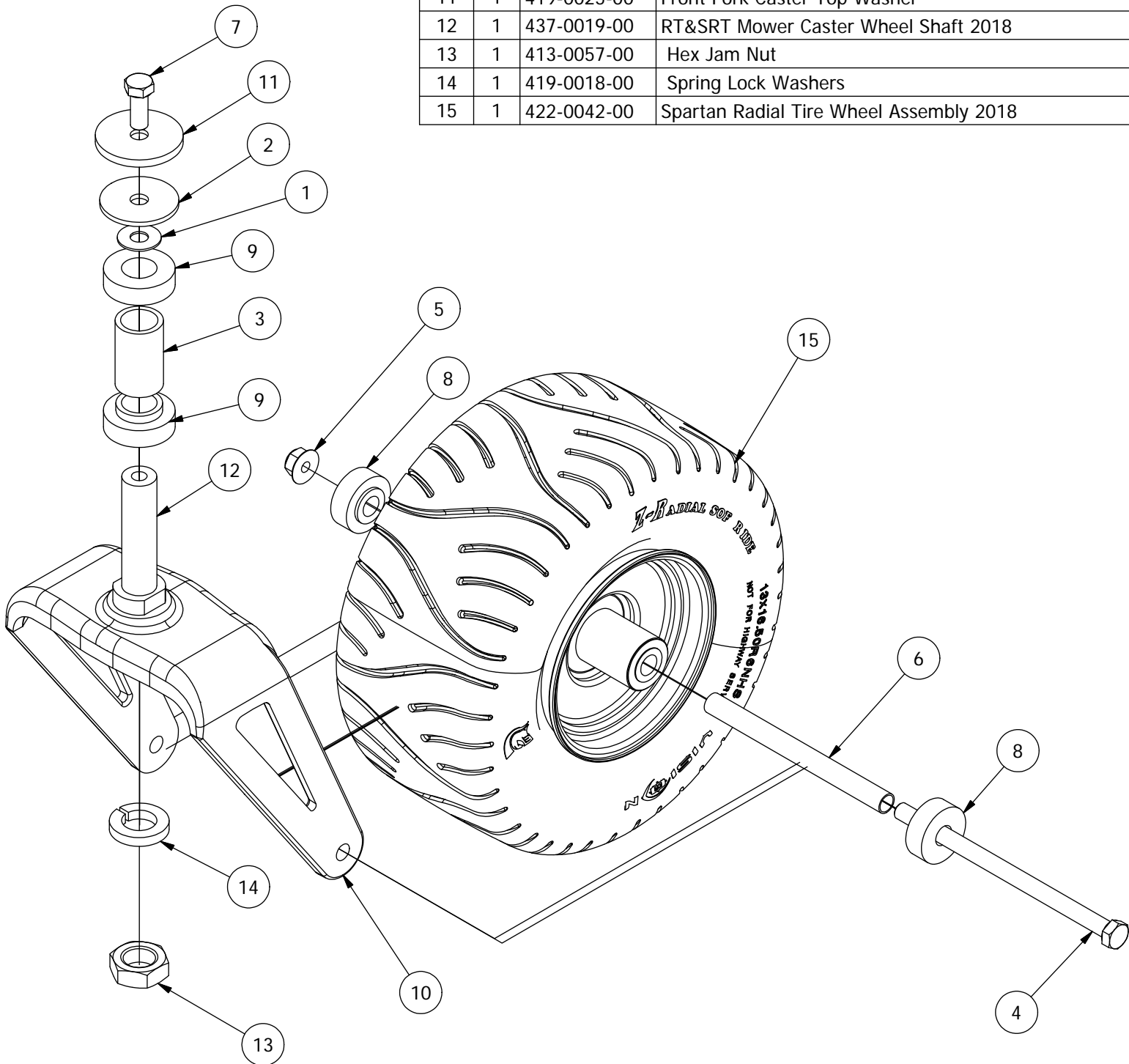
**BushRanger SRT XD Mower
Parts Manual 2020**

TABLE OF CONTENTS

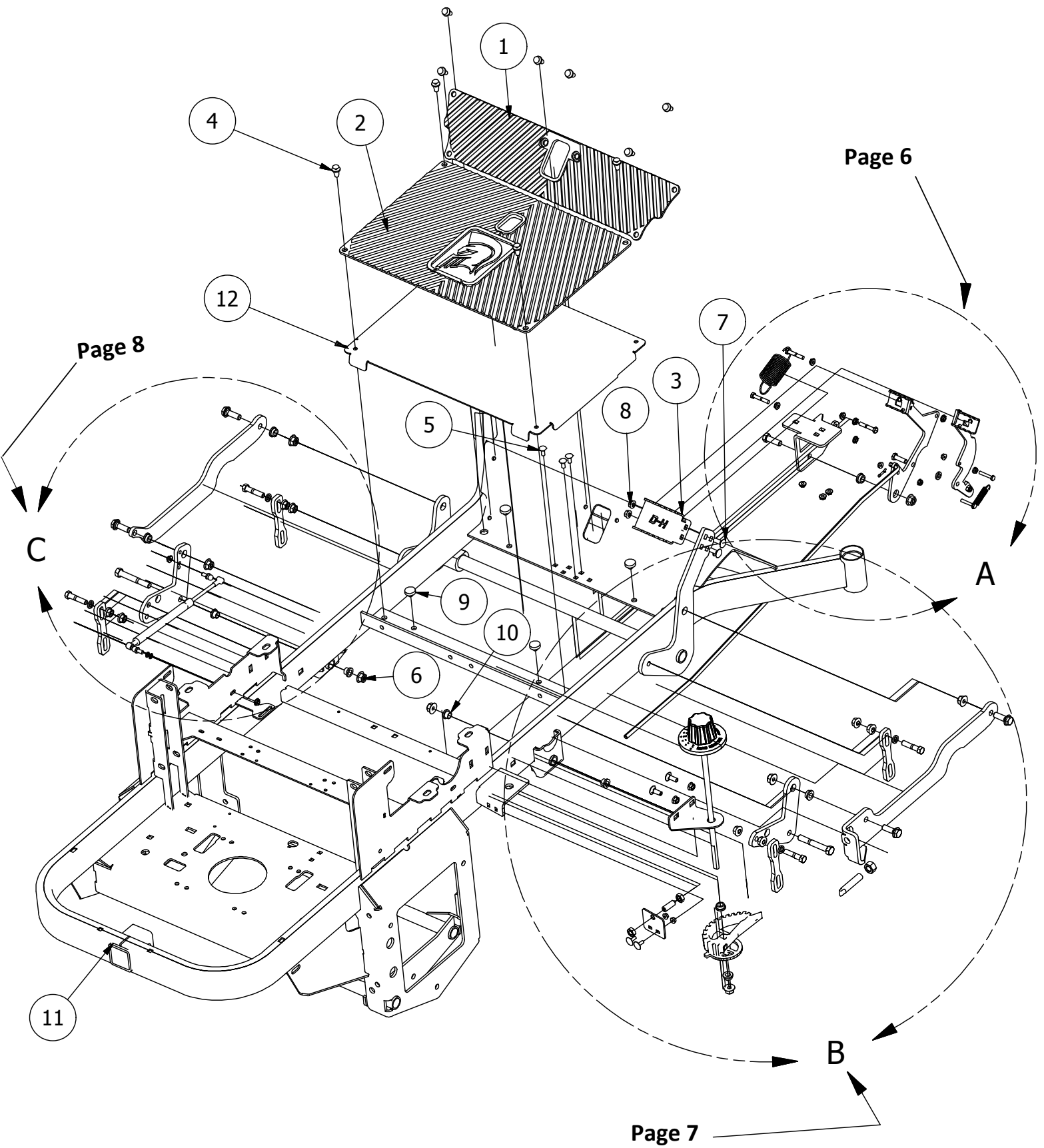
| | |
|---|--------------|
| FRONT FORK | 3 |
| BRAKE, FLOORBOARD, AND HEIGHT INDICATOR ASSEMBLY | 4-8 |
| BRAKE ASSEMBLY | 6 |
| HEIGHT INDICATOR ASSEMBLY | 7-8 |
| BATTERY AND SEAT SUSPENSION ASSEMBLY..... | 9-10 |
| DRIVE ARM ASSEMBLY | 11-12 |
| SEAT BASE ASSEMBLY | 13-14 |
| ROPS AND PUMP IDLER ASSEMBLY..... | 15-17 |
| PUMP IDLER ASSEMBLY | 17 |
| GAS TANK ASSEMBLY | 18-19 |
| DECK ASSEMBLIES..... | 20-29 |
| 61" DECK ASSEMBLY 1 | 20-21 |
| 61" DECK ASSEMBLY 2..... | 22-23 |
| 72" DECK ASSEMBLY 1..... | 24-25 |
| 72" DECK ASSEMBLY 2..... | 26-27 |
| DECK SPINDLE ASSEMBLY..... | 28 |
| DECK CHUTE ASSEMBLY | 29 |
| TRANSMISSION ASSEMBLY | 30-31 |
| KAWASAKI FX850..... | 32 |
| KAWASAKI FX1000 | 33 |
| DECALS..... | 34-35 |

Front Fork Assembly

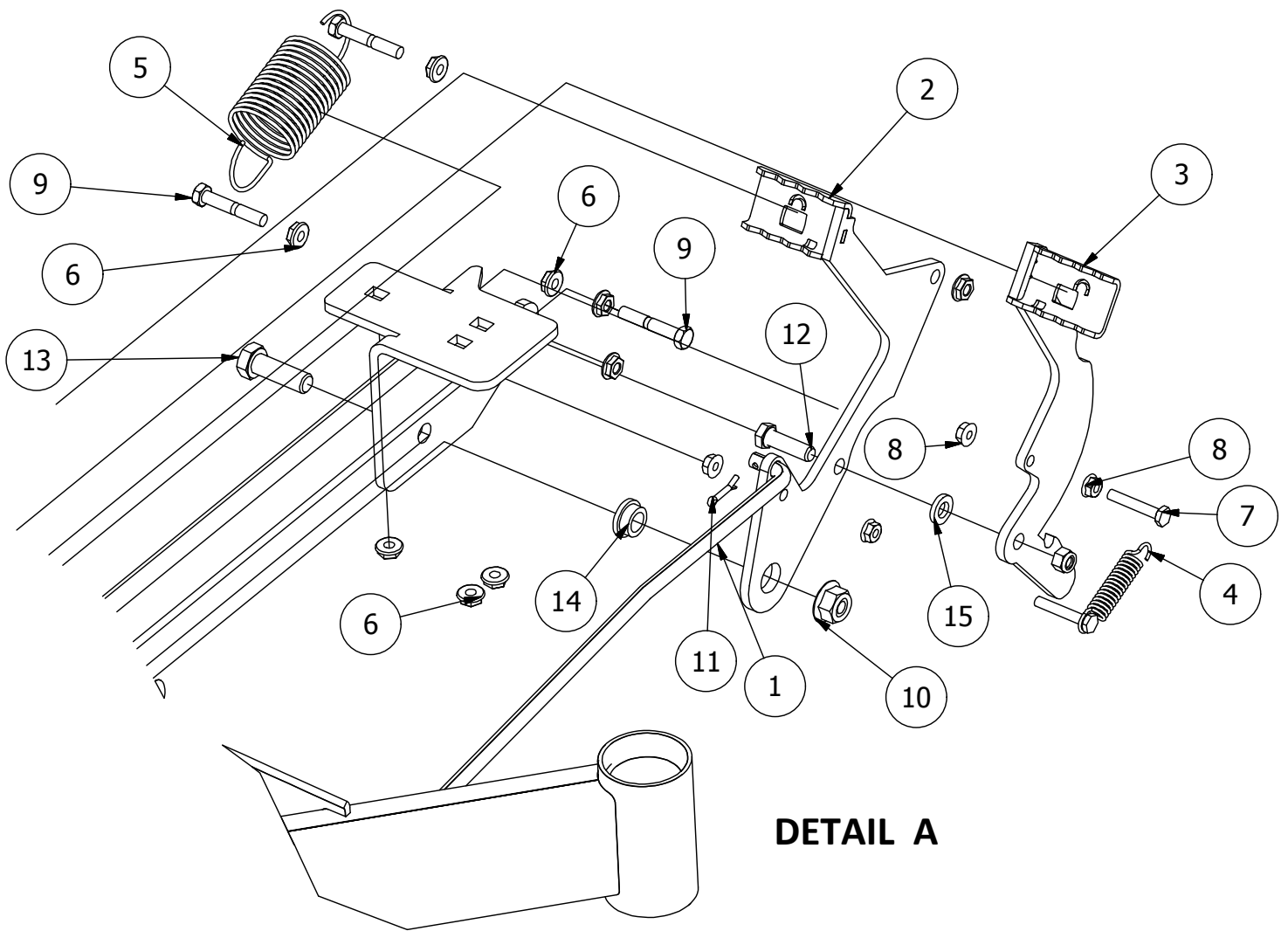
| Front Fork Assembly | | | |
|---------------------|-----|-------------|--|
| ITEM | QTY | PART NUMBER | DESCRIPTION |
| 1 | 1 | 419-0002-00 | 1/2 FENDER WASHER 1-1/4" OD ZINC |
| 2 | 1 | 426-0006-00 | Mower Caster Shaft Washer |
| 3 | 1 | 425-0011-00 | Mower Bearing Retainer Spacer |
| 4 | 1 | 418-0003-00 | 1/2-13 X 8-1/2 HEX C/S GR 5 ZINC YELLOW |
| 5 | 1 | 413-0002-00 | 1/2-13 NYLON INSERT FLANGE LOCKNUT ZC YELLOW |
| 6 | 1 | 425-0010-00 | Mower Caster Fork Wheel Spacer |
| 7 | 1 | 418-0006-00 | 1/2-20 X 1-1/4 HEX C/S GR 5 ZINC |
| 8 | 2 | 410-0014-00 | Mower Caster Wheel Bearing |
| 9 | 2 | 410-0006-00 | Mower Caster Shaft Bearing |
| 10 | 1 | 423-0001-00 | RT&SRT Caster Wheel Fork 2018 |
| 11 | 1 | 419-0025-00 | Front Fork Caster Top Washer |
| 12 | 1 | 437-0019-00 | RT&SRT Mower Caster Wheel Shaft 2018 |
| 13 | 1 | 413-0057-00 | Hex Jam Nut |
| 14 | 1 | 419-0018-00 | Spring Lock Washers |
| 15 | 1 | 422-0042-00 | Spartan Radial Tire Wheel Assembly 2018 |



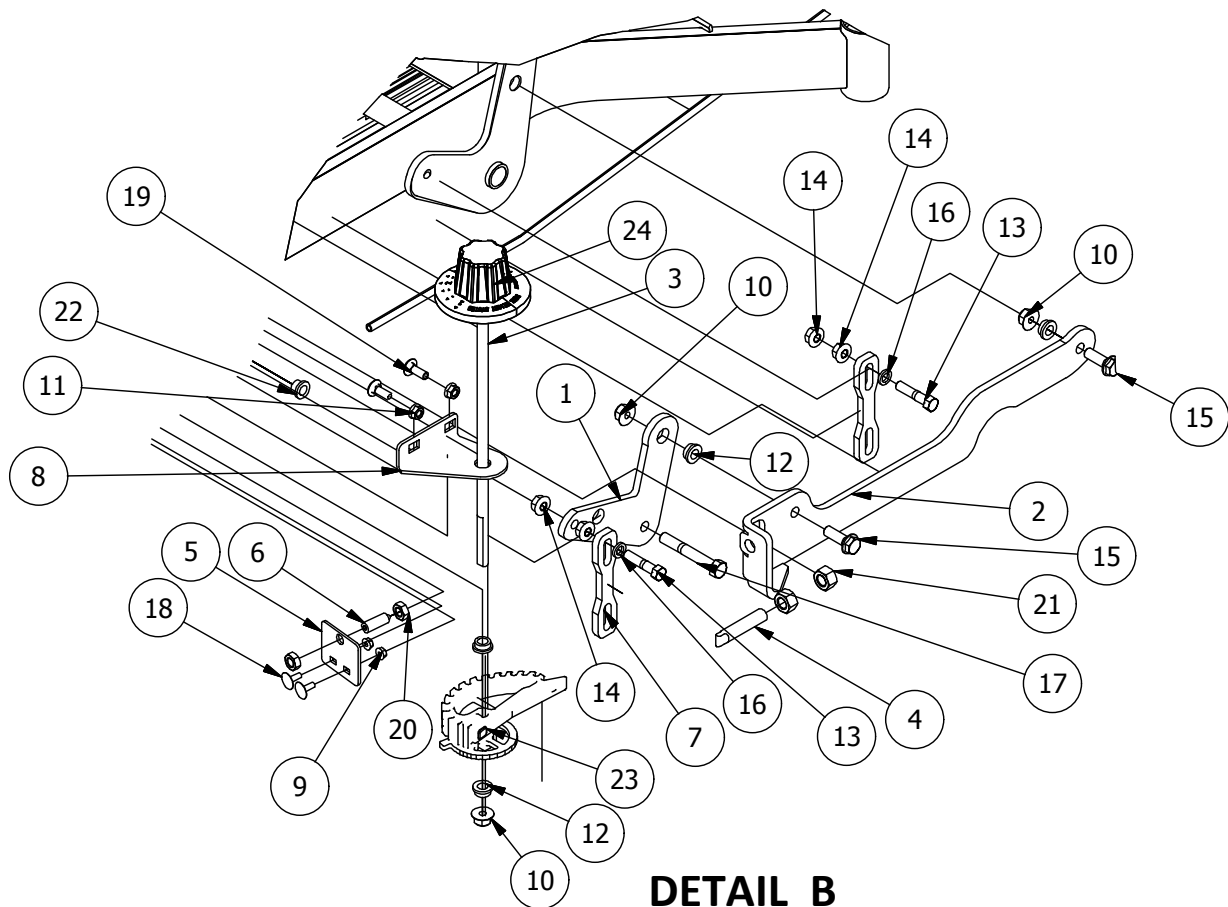
Brake, Floorboard, and Height Indicator Assembly



| Floorboard Parts List | | | |
|-----------------------|-----|-------------|--|
| ITEM | QTY | PART NUMBER | DESCRIPTION |
| 1 | 1 | 481-0005-00 | 2017 Mower Rubber Foot Rest Mat Except for RZ |
| 2 | 1 | 481-0006-00 | 2017 Mower Logo Floor Mat Except for RZ |
| 3 | 1 | 439-0059-00 | Mower Deck Height Foot Pedal |
| 4 | 10 | 414-0002-00 | 8MM PUSH TYPE RETAINER NYLON BLACK |
| 5 | 3 | 418-0008-00 | 5/16-18 X 3/4 CARRIAGE BOLT ZINC |
| 6 | 8 | 413-0002-00 | 1/2-13 NYLON INSERT FLANGE LOCKNUT ZC YELLOW |
| 7 | 2 | 418-0045-00 | 3/8-16 X 1 CARRIAGE BOLT ZINC YELLOW GR8 |
| 8 | 4 | 413-0004-00 | 3/8-16 HEX FLANGE NUT W/SERR ZINC |
| 9 | 4 | 429-0002-00 | Rubber Bumper |
| 10 | 4 | 410-0010-00 | 1/2" ID X 5/8" OD X 1/2" LENGTH FLANGE BUSHING |
| 11 | 1 | 490-0008-00 | Mower SRT Frame Assembly |
| 12 | 1 | 439-0007-00 | Mower Floorboard |

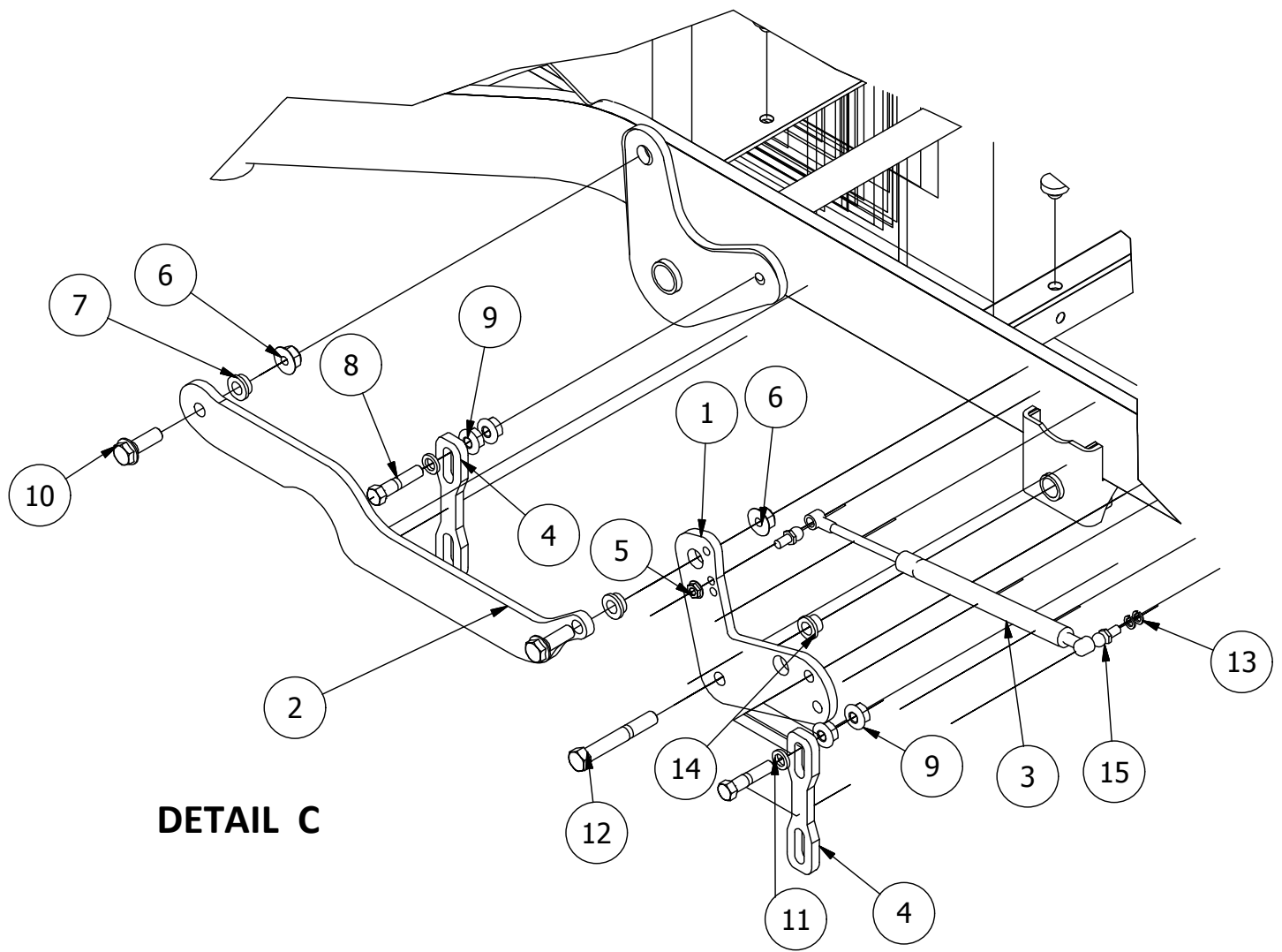


| Brake Parts List | | | |
|------------------|-----|-------------|--|
| ITEM | QTY | PART NUMBER | DESCRIPTION |
| 1 | 1 | 435-0004-00 | MOWER BRAKE LINKAGE |
| 2 | 1 | 490-0016-00 | Mower Brake Lock Lever Assembly |
| 3 | 1 | 490-0017-00 | Mower Brake Unlock Lever Assembly |
| 4 | 1 | 434-0003-00 | Brake Pedal Release Spring |
| 5 | 1 | 434-0002-00 | Brake Pedal Tension Spring |
| 6 | 13 | 413-0006-00 | 5/16-18 HEX FLANGE NUT W/SERR ZINC |
| 7 | 2 | 418-0029-00 | 1/4-20 X 1-1/4 HEX C/S GR 2 ZINC |
| 8 | 6 | 413-0023-00 | 1/4-20 HEX FLANGE NUT W/SERR ZINC |
| 9 | 3 | 418-0027-00 | 5/16-18 X 1-3/4 HEX C/S GR 2 ZINC |
| 10 | 8 | 413-0002-00 | 1/2-13 NYLON INSERT FLANGE LOCKNUT ZC YELLOW |
| 11 | 1 | 420-0001-00 | 1/8 X 3/4 COTTER PIN ZINC |
| 12 | 1 | 418-0030-00 | 3/8-16 X 1-1/4 HEX C/S GR 2 ZINC |
| 13 | 1 | 418-0028-00 | 1/2-13 X 1-1/2 HEX C/S GR 2 ZINC |
| 14 | 7 | 410-0009-00 | 1/2" ID X 3/4" OD X 3/8" LENGTH FLANGE BUSHING |
| 15 | 1 | 419-0015-00 | 3/8" ID X 3/4" OD X 1/8" THK BRONZE WASHER |



DETAIL B

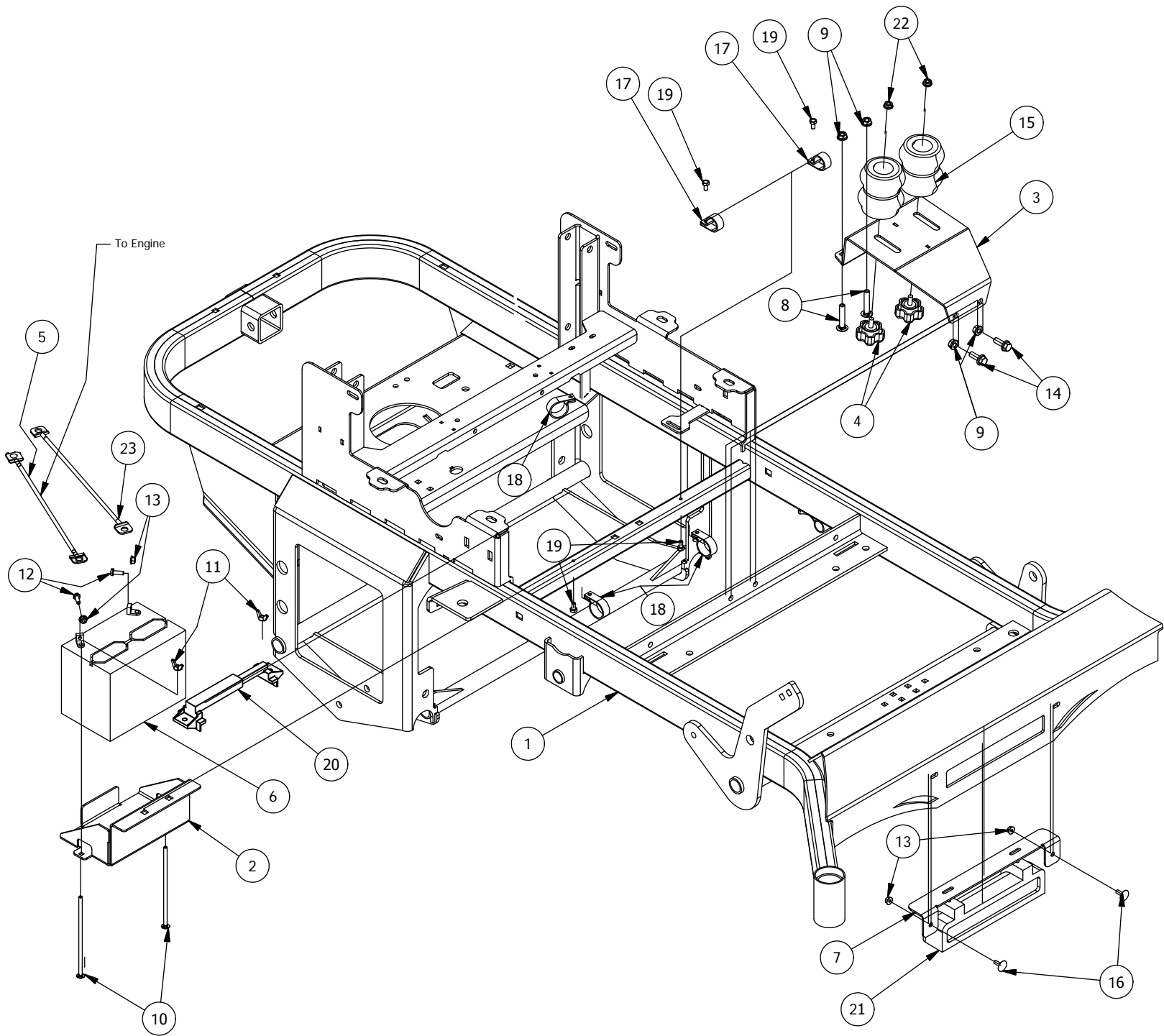
| Height Indicator (Detail B) Parts List | | | |
|--|-----|-------------|--|
| ITEM | QTY | PART NUMBER | DESCRIPTION |
| 1 | 1 | 431-0004-00 | Deck Height Brkt Right side |
| 2 | 1 | 435-0008-00 | Mower Deck Height Arm Right Link |
| 3 | 1 | 437-0003-00 | Mower Deck Height Selector Shaft |
| 4 | 1 | 444-0001-00 | Mower HEIGHT SELECTOR CAM PIN |
| 5 | 1 | 426-0004-00 | Mower Detent Spring Plunger Mounting Plate |
| 6 | 1 | 434-0006-00 | Deck Height Detent Spring Plunger |
| 7 | 2 | 435-0007-00 | Mower Deck Link |
| 8 | 1 | 439-0074-00 | Mower Deck Height Indicator Rod Bracket |
| 9 | 2 | 413-0023-00 | 1/4-20 HEX FLANGE NUT W/SERR ZINC |
| 10 | 3 | 413-0002-00 | 1/2-13 NYLON INSERT FLANGE LOCKNUT ZC YELLOW |
| 11 | 2 | 413-0004-00 | 3/8-16 HEX FLANGE NUT W/SERR ZINC |
| 12 | 3 | 410-0009-00 | 1/2" ID X 3/4" OD X 3/8" LENGTH FLANGE BUSHING |
| 13 | 2 | 418-0046-00 | 7/16-14 X 2 HEX C/S GR 5 ZINC YELLOW |
| 14 | 4 | 413-0011-00 | 7/16-14 HEX FLANGE NUT W/SERR ZINC YELLOW |
| 15 | 1 | 418-0047-00 | 1/2-13 X 1-1/2 HEX FLANGE BOLT ZINC YELLOW |
| 16 | 1 | 419-0010-00 | .443 ID X .750 OD X .125 THK NYLON BLACK |
| 17 | 1 | 418-0042-00 | 1/2-13 X 3-1/2 HEX C/S GR 5 ZINC YELLOW |
| 18 | 2 | 418-0052-00 | 1/4-20 X 3/4 CARRIAGE BOLT ZINC |
| 19 | 2 | 418-0053-00 | 3/8-16 X 1 CARRIAGE BOLT ZINC |
| 20 | 2 | 413-0037-00 | 1/2-13 HEX JAM NUT ZINC |
| 21 | 1 | 413-0048-00 | 5/8-11 HEX NUT ZINC YELLOW |
| 22 | 1 | 410-0010-00 | 1/2" ID X 5/8" OD X 1/2" LENGTH FLANGE BUSHING |
| 23 | 1 | 490-0045-00 | Mower Deck Height Cam Casting |
| 24 | 1 | 445-0002-00 | Mower Deck Height Control Knob |



DETAIL C

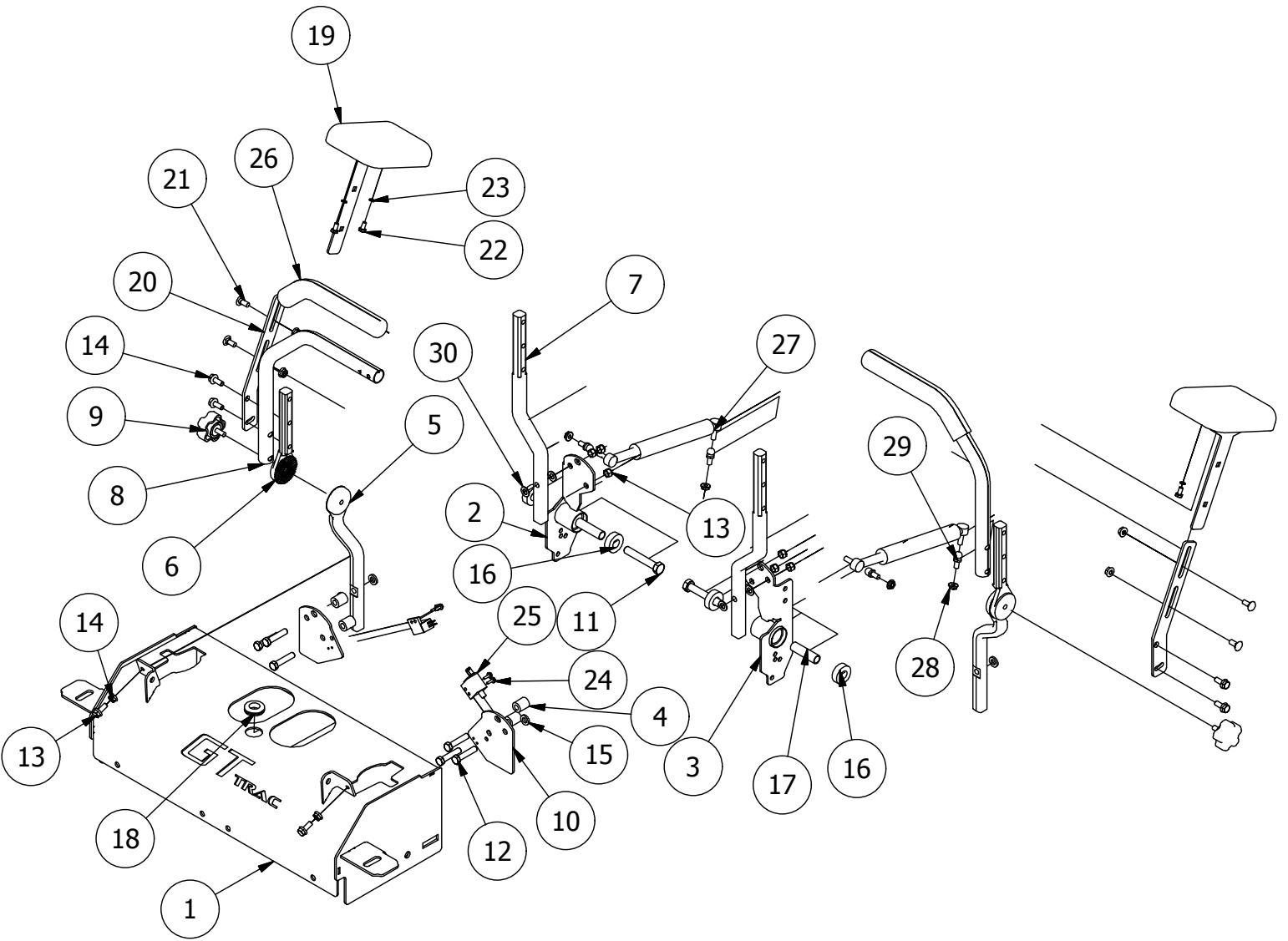
| Height Indicator (Detail C) Parts List | | | |
|--|-----|-------------|--|
| ITEM | QTY | PART NUMBER | DESCRIPTION |
| 1 | 1 | 431-0005-00 | Deck Height Brkt Left Actuator side |
| 2 | 1 | 435-0009-00 | Mower Deck Height Left Link Arm |
| 3 | 1 | 434-0001-00 | Deck Gas Spring |
| 4 | 2 | 435-0007-00 | Mower Deck Link |
| 5 | 1 | 413-0006-00 | 5/16-18 HEX FLANGE NUT W/SERR ZINC |
| 6 | 2 | 413-0002-00 | 1/2-13 NYLON INSERT FLANGE LOCKNUT ZC YELLOW |
| 7 | 2 | 410-0009-00 | 1/2" ID X 3/4" OD X 3/8" LENGTH FLANGE BUSHING |
| 8 | 2 | 418-0046-00 | 7/16-14 X 2 HEX C/S GR 5 ZINC YELLOW |
| 9 | 4 | 413-0011-00 | 7/16-14 HEX FLANGE NUT W/SERR ZINC YELLOW |
| 10 | 2 | 418-0047-00 | 1/2-13 X 1-1/2 HEX FLANGE BOLT ZINC YELLOW |
| 11 | 2 | 419-0010-00 | .443 ID X .750 OD X .125 THK NYLON BLACK |
| 12 | 1 | 418-0042-00 | 1/2-13 X 3-1/2 HEX C/S GR 5 ZINC YELLOW |
| 13 | 2 | 419-0009-00 | 5/16 SPLIT LOCKWASHER ZINC |
| 14 | 1 | 410-0010-00 | 1/2" ID X 5/8" OD X 1/2" LENGTH FLANGE BUSHING |
| 15 | 2 | 434-0007-00 | Deck Assist Gas Spring Ball Stud |

Battery and Seat Suspension Assembly



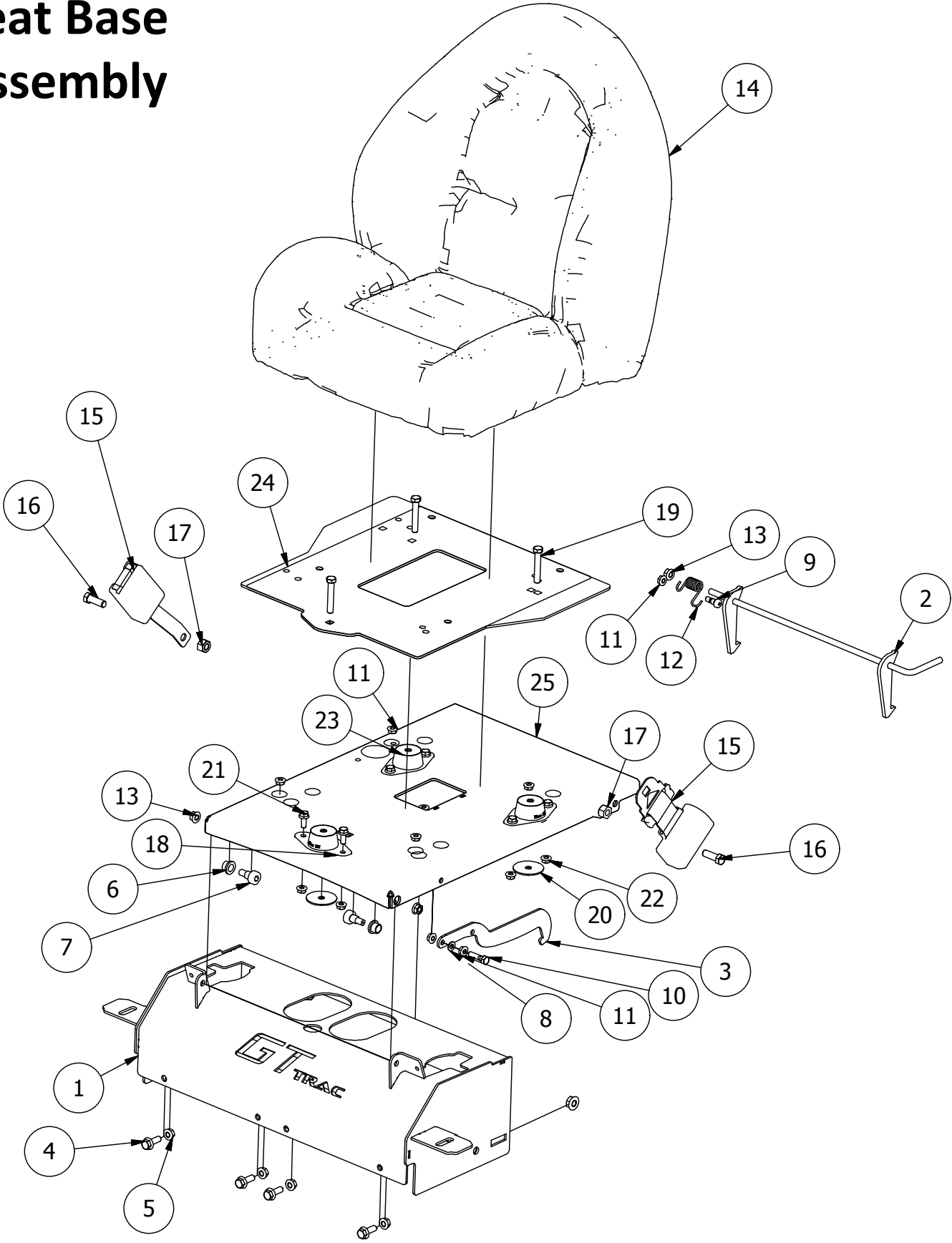
| Battery and Seat Suspension Assembly Parts List | | | |
|---|-----|-------------|---|
| ITEM | QTY | PART NUMBER | DESCRIPTION |
| 1 | 1 | 490-0008-00 | Mower SRT Frame Assembly |
| 2 | 1 | 439-0008-00 | Mower Battery Box |
| 3 | 1 | 490-0021-00 | Mower Suspension Seat Bracket Assembly |
| 4 | 2 | 445-0001-00 | Lobed Knob w/ 5/16"-18 X .750" Stud |
| 5 | 1 | 486-0017-00 | Mower Negative Battery Cable 28" long |
| 6 | 1 | 468-1004-00 | 12-V Mower Starter Battery |
| 7 | 1 | 439-0012-00 | Mower LED Light Bracket |
| 8 | 2 | 418-0033-00 | 3/8-16 X 2 CARRIAGE BOLT ZINC |
| 9 | 4 | 413-0004-00 | 3/8-16 HEX FLANGE NUT W/SERR ZINC |
| 10 | 2 | 418-0034-00 | 1/4-20 X 7 CARRIAGE BOLT ZINC |
| 11 | 2 | 413-0025-00 | 1/4-20 WING NUT ZINC |
| 12 | 2 | 418-0035-00 | 1/4-20 X 3/4 HEX C/S GR 2 ZINC |
| 13 | 2 | 413-0026-00 | 1/4-20 NYLON INSERT FLANGE L/NUT ZINC |
| 14 | 2 | 418-0040-00 | 3/8-16 X 1 HEX FLANGE BOLT GR 8 ZC YELLOW |
| 15 | 2 | 487-0003-00 | SRT Rear Suspension Elastomer |
| 16 | 2 | 418-0026-00 | 1/4-20 X 3/4 CARRIAGE BOLT ZINC YELLOW |
| 17 | 2 | 472-0002-00 | 1/2" CUSHIONED LOOP CLAMP |
| 18 | 3 | 472-0001-00 | 1-1/4" CHUSHIONED LOOP CLAMP BLACK |
| 19 | 4 | 418-0025-00 | 1/4-20 X 1/2 HWH SLOT TYPE F TCS ZINC |
| 20 | 1 | 443-0001-00 | Battery Hold Down |
| 21 | 1 | 486-0032-00 | Mower LED Light Bar |
| 22 | 2 | 413-0027-00 | 5/16-18 NYLON INSERT FLANGE LOCKNUT ZC YELLOW |
| 23 | 1 | 486-0016-00 | Mower Positive Battery Cable 25" long |

Drive Arm Assembly



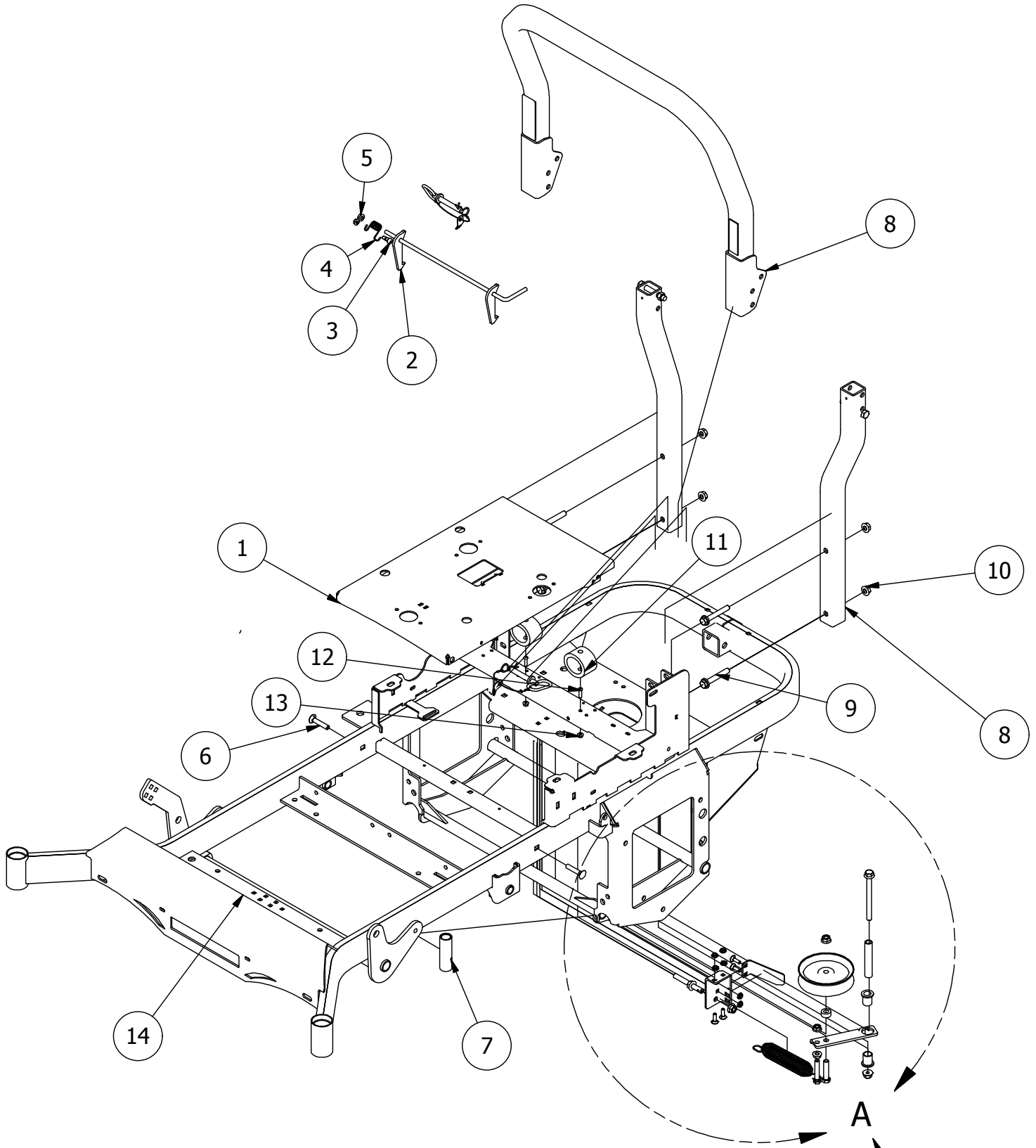
| Drive Arm Parts List | | | |
|----------------------|-----|-------------|---|
| ITEM | QTY | PART NUMBER | DESCRIPTION |
| 1 | 1 | 490-0023-00 | Mower Seat Base Assembly |
| 2 | 1 | 490-0013-00 | Mower Right Drive Arm Bracket Assembly |
| 3 | 1 | 490-0012-00 | Mower Left Drive Arm Bracket Assembly |
| 4 | 4 | 425-0003-00 | Mower Drive Arm Spacer |
| 5 | 2 | 431-0002-00 | Height/Pitch Adjustable Lower Drive Arm |
| 6 | 2 | 431-0003-00 | Height/Pitch Adjustable Upper Drive Arm |
| 7 | 2 | 431-0001-00 | Height Adjustable Drive Arm |
| 8 | 2 | 403-0020-00 | Mower Drive Handle Tube |
| 9 | 2 | 445-0001-00 | Lobed Knob w/ 5/16"-18 X .750" Stud |
| 10 | 1 | 426-0002-00 | Mower Left Control Arm Limit Switch Plate |
| 13 | 2 | 418-0049-00 | 5/16-18 X 3/4 IND HWH TRI LOB ZINC |
| 14 | 6 | 413-0022-00 | 5/16-18 HEX FLANGE NUT W/SERR ZINC YELLOW |
| 11 | 2 | 418-0050-00 | 1/2-13 X 3 HEX C/S GR 5 ZINC |
| 12 | 6 | 418-0051-00 | 3/8-16 X 1-3/4 HEX C/S GR 2 ZINC |
| 13 | 6 | 413-0013-00 | 3/8-16 NYLON INSERT FLANGE LOCKNUT ZINC |
| 14 | 4 | 418-0048-00 | 5/16-18 X 3/4 HEX FLANGE BOLT GR 8 ZC YELLOW |
| 15 | 4 | 419-0015-00 | 3/8" ID X 3/4" OD X 1/8" THK BRONZE WASHER |
| 16 | 4 | 410-0005-00 | 5/8" ID X 1-3/8" OD X 7/16" THK BEARING |
| 17 | 2 | 425-0004-00 | Mower Drive Arm Hub & Deck Lift Arm Spacer |
| 18 | 1 | 419-0008-00 | 3/4" ID X FOR 1-3/16" HOLE FOR 11 GA RUBBER GROMMIT |
| 19 | 2 | 471-0004-00 | Mower Drive Arm Support Pad |
| 20 | 2 | 439-0010-00 | Mower Drive Arm Pad Tube Mounting bracket |
| 21 | 4 | 418-0063-00 | 5/16-18 X 3/4 CARRIAGE BOLT ZINC YELLOW |
| 22 | 4 | 418-0056-00 | 1/4-20 X 1/2 HEX C/S GR 2 ZINC |
| 23 | 4 | 419-0012-00 | 1/4 EXT TOOTH LOCKWASHER ZINC |
| 24 | 4 | 418-0032-00 | 8-32 X 1/2 IND. HWH SLOT TYPE F TCS ZINC |
| 25 | 2 | 486-0030-00 | Safety Switch |
| 26 | 2 | 484-0001-00 | Handle Grip |
| 27 | 2 | 487-0001-00 | Control Arm Damper |
| 28 | 4 | 413-0024-00 | 5/16-18 HEX SERRATED LARGE FLANGE L/NUT ZC |
| 29 | 4 | 487-0005-00 | Control Arm Damper Ball Stud |
| 30 | 4 | 410-0011-00 | .375 ID X .750 OD X .062 THK THRUST BEARING OIL-IMPREG BRNZ |

Seat Base Assembly



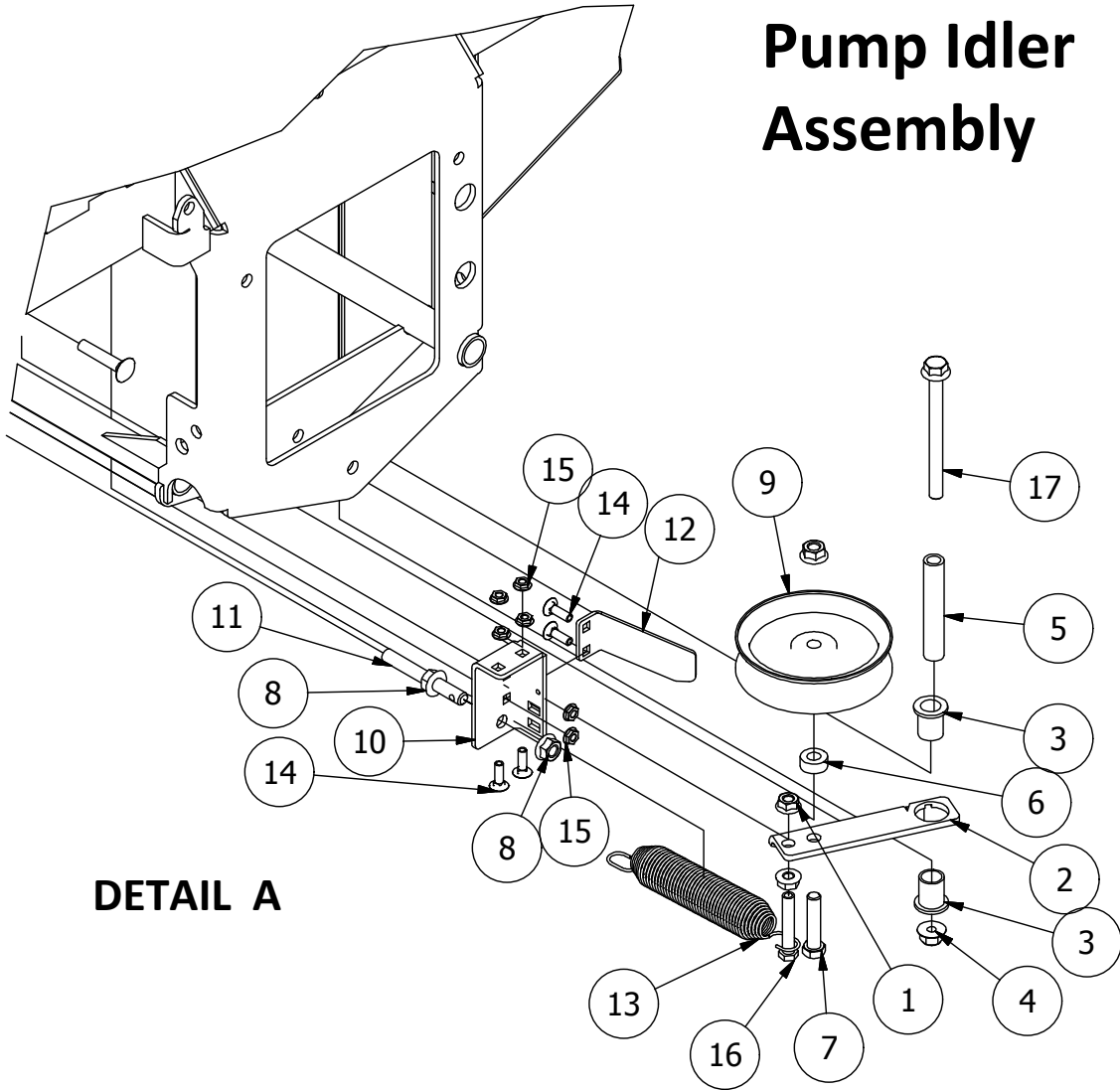
| Seat Base Assembly Parts List | | | |
|-------------------------------|-----|-------------|--|
| ITEM | QTY | PART NUMBER | DESCRIPTION |
| 1 | 1 | 490-0023-00 | Mower Seat Base Assembly |
| 2 | 1 | 490-0011-00 | Mower Seat Latch Release Assembly |
| 3 | 1 | 439-0065-00 | Mower Seat Latch Hook |
| 4 | 4 | 418-0040-00 | 3/8-16 X 1 HEX FLANGE BOLT GR 8 ZC YELLOW |
| 5 | 4 | 413-0004-00 | 3/8-16 HEX FLANGE NUT W/SERR ZINC |
| 6 | 2 | 410-0010-00 | 1/2" ID X 5/8" OD X 1/2" LENGTH FLANGE BUSHING |
| 7 | 2 | 418-0038-00 | 1/2 X 1/2 SOCKET SHOULDER BOLT ZC YELLOW |
| 8 | 1 | 419-0016-00 | 5/16" ID X 5/8" OD X 1/16" THK BRONZE WASHER |
| 9 | 1 | 418-0037-00 | 3/8 X 3/8 SOCKET SHOULDER BOLT ZC YELLOW |
| 10 | 1 | 418-0036-00 | 5/16-18 X 1-1/4 HEX TAP BOLT ZINC GR8 |
| 11 | 7 | 413-0019-00 | 5/16-18 NYLON INSERT FLANGE L/NUT ZINC |
| 12 | 1 | 434-0004-00 | Seat Latch Spring |
| 13 | 6 | 413-0029-00 | 3/8-16 NYLON INSERT FLANGE L/NUT ZC YELLOW |
| 14 | 1 | 471-0071-00 | 2019 SRT Dymatrol Seat |
| 15 | 1 | 471-0003-00 | Mower Seat Belt |
| 16 | 2 | 618-2097-00 | 7/16-20 x 1-1/4 GR8 Hex Cap Screw |
| 17 | 2 | 413-0054-00 | 7/16-20 Nylon Insert Locknut |
| 18 | 1 | 487-0006-00 | Floating Seat Damper-Softer |
| 19 | 3 | 418-0107-00 | 3/8-16 X 2-1/4 HEX FLANGE BOLT GR 8 ZC YELLOW |
| 20 | 3 | 419-0022-00 | 3/8 X 2" OD FENDER WASHER ZC YELLOW |
| 21 | 6 | 418-0048-00 | 5/16-18 X 3/4 HEX FLANGE BOLT GR 8 ZC YELLOW |
| 22 | 6 | 413-0022-00 | 5/16-18 HEX FLANGE NUT W/SERR ZINC YELLOW |
| 23 | 2 | 487-0007-00 | Floating Seat Damper-Stiffer |
| 24 | 1 | 426-0231-00 | 2019 SRT XD Seat Plate |
| 25 | 1 | 426-0232-00 | 2019 RT/SRT Floating Seat Base Plate |

ROPS and Pump Idler Assembly



| ROPS Assembly Parts List | | | |
|--------------------------|-----|-------------|--|
| ITEM | QTY | PART NUMBER | DESCRIPTION |
| 1 | 1 | 426-0228-00 | RT and SRT Floating Seat Base Plate |
| 2 | 1 | 490-0011-00 | Mower Seat Latch Release Assembly |
| 3 | 1 | 418-0037-00 | 3/8 X 3/8 SOCKET SHOULDER BOLT ZC YELLOW |
| 4 | 1 | 434-0004-00 | Seat Latch Spring |
| 5 | 6 | 413-0029-00 | 3/8-16 NYLON INSERT FLANGE L/NUT ZC YELLOW |
| 6 | 2 | 418-0041-00 | 7/16-14 X 2-1/4 CARRIAGE BOLT ZINC |
| 7 | 1 | 490-0018-00 | Mower Pump Idler Pulley Arm Assembly |
| 8 | 1 | 497-0002-00 | Fold down ROPS |
| 9 | 4 | 418-0019-00 | 1/2-13 X 3-1/2 HEX FLANGE BOLT (GR.8) ZC/YEL |
| 10 | 4 | 413-0014-00 | 1/2-13 HEX STOVER LOCKNUT GR C ZINC |
| 11 | 2 | 487-0004-00 | Seat Suspension Elastomer GBR-7 |
| 12 | 2 | 418-0039-00 | 1/4-20 X 1 BUTTON SOCKET C/S |
| 13 | 2 | 413-0026-00 | 1/4-20 NYLON INSERT FLANGE L/NUT ZINC |
| 14 | 1 | 490-0008-00 | Mower SRT Frame Assembly |

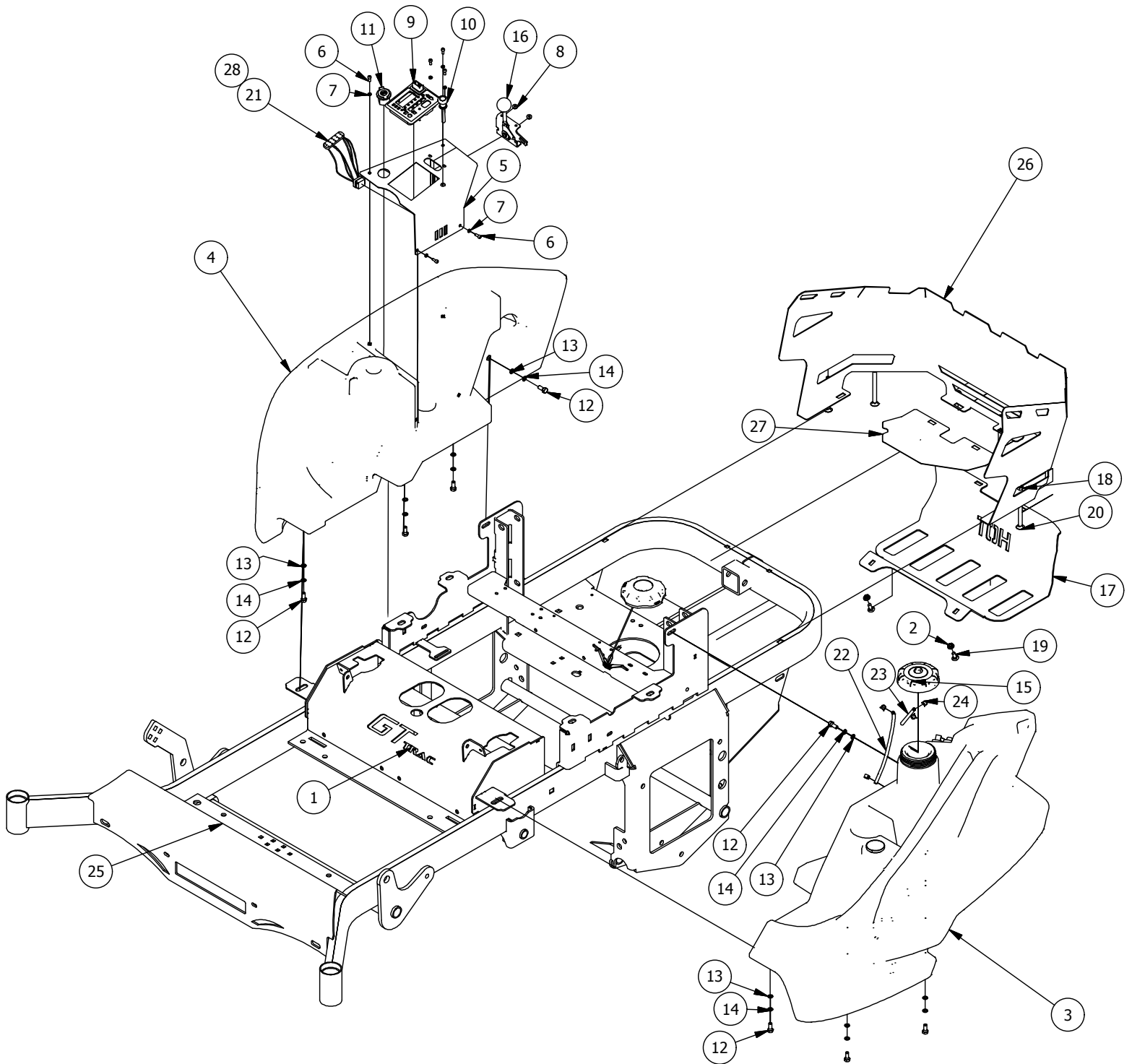
Pump Idler Assembly



DETAIL A

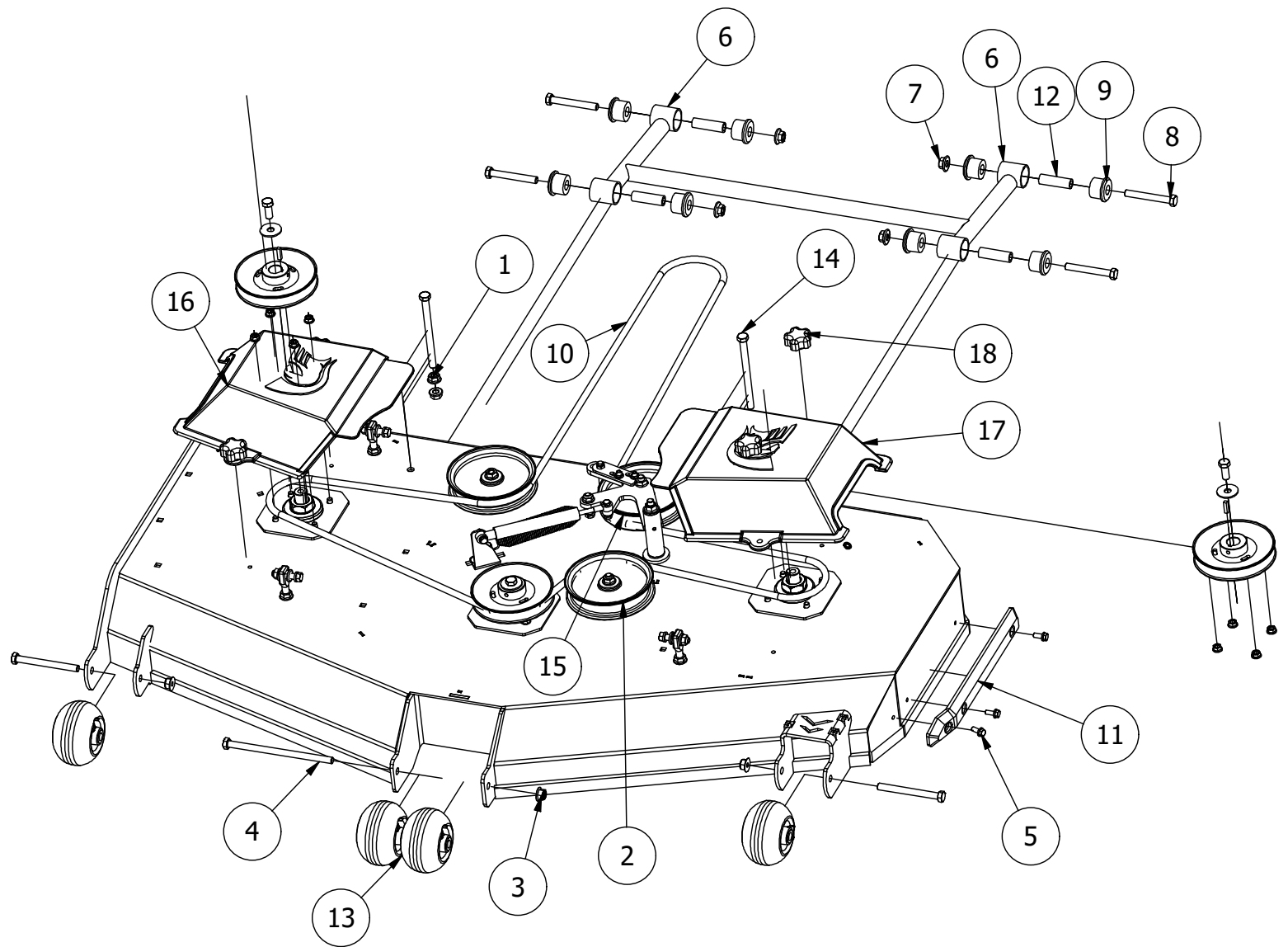
| Pump Idler Assembly Parts List | | | |
|--------------------------------|-----|-------------|--|
| ITEM | QTY | PART NUMBER | DESCRIPTION |
| 1 | 4 | 413-0001-00 | 7/16-14 HEX FLANGE NUT W/SERR ZINC |
| 2 | 1 | 490-0018-00 | Mower Pump Idler Pulley Arm Assembly |
| 3 | 2 | 410-0007-00 | 3/4" ID X 15/16" OD X 1-1/8" LENGTH FLANGE BUSHING |
| 4 | 1 | 413-0002-00 | 1/2-13 NYLON INSERT FLANGE LOCKNUT ZC YELLOW |
| 5 | 1 | 425-0006-00 | Mower Inner Idler Spacer |
| 6 | 1 | 425-0007-00 | Mower IDLER PULLEY SPACER |
| 7 | 1 | 418-0012-00 | 1/2-13 X 2-1/4 HEX C/S GR 5 ZINC |
| 8 | 3 | 413-0010-00 | 1/2-13 HEX FLANGE NUT W/SERR ZINC |
| 9 | 1 | 433-0014-00 | Mower 5-3/4" Idler Pulley |
| 10 | 1 | 439-0244-00 | Deck Idler Puller Tensioning Bracket |
| 11 | 1 | 430-0001-00 | Mower Pump Spring Tensioner |
| 12 | 1 | 439-0132-00 | RT/SRT Clutch Anti-rotation Brkt |
| 13 | 1 | 434-0005-00 | Deck/pump idler spring |
| 14 | 4 | 418-0010-00 | 5/16-18 X 1 CARRIAGE BOLT ZINC |
| 15 | 6 | 413-0006-00 | 5/16-18 HEX FLANGE NUT W/SERR ZINC |
| 16 | 1 | 418-0013-00 | 7/16-14 X 2-1/2 HEX C/S GR 5 ZINC |
| 17 | 1 | 418-0009-00 | 1/2-13 X 5-1/2 HEX FLANGE BOLT GR 8 ZY |

Gas Tank Assembly



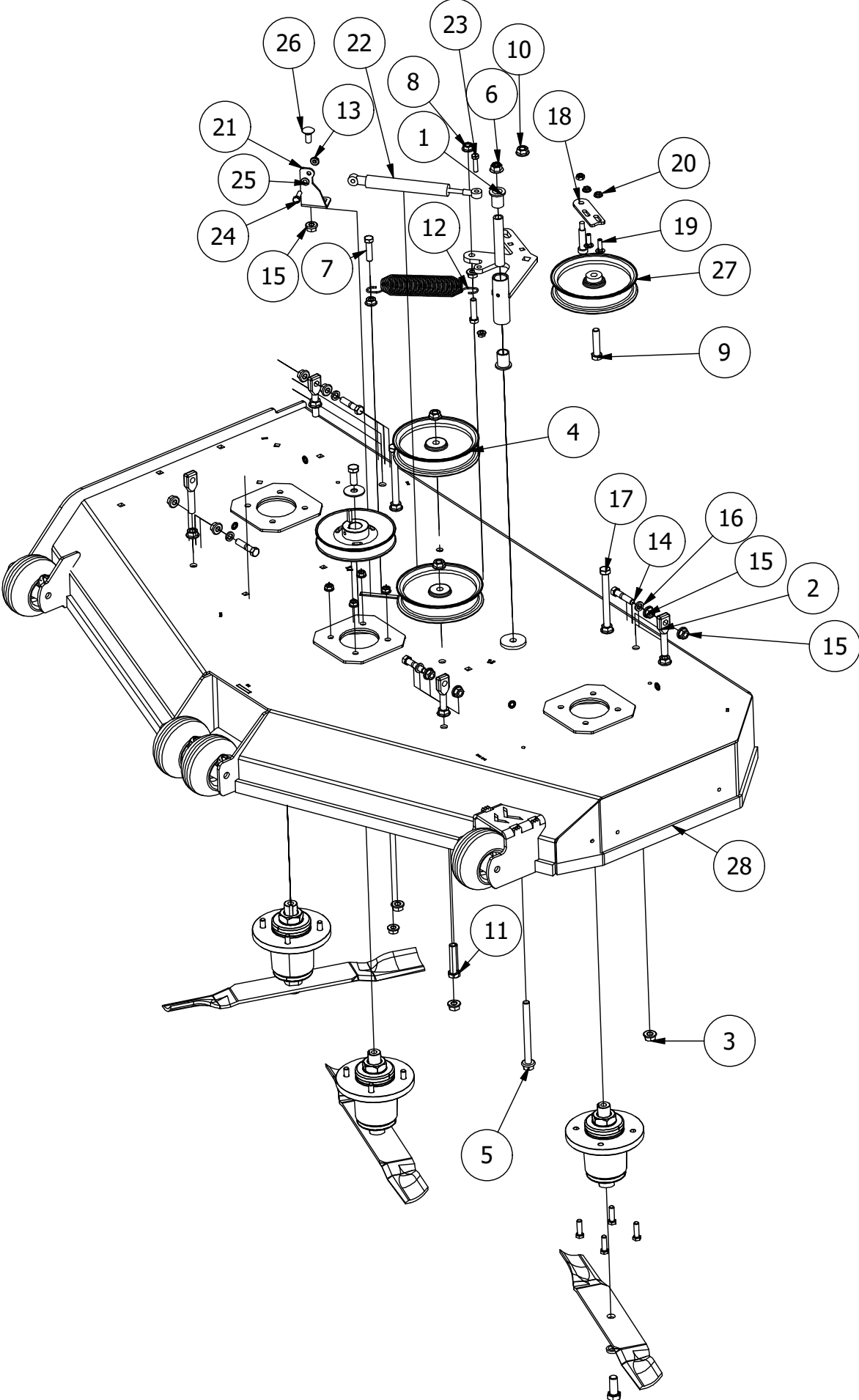
| Gas Tank Assembly Parts List | | | |
|------------------------------|-----|-------------|--|
| ITEM | QTY | PART NUMBER | DESCRIPTION |
| 1 | 1 | 490-0023-00 | Mower Seat Base Assembly |
| 2 | 2 | 413-0006-00 | 5/16-18 HEX FLANGE NUT W/SERR ZINC |
| 3 | 1 | 467-0001-00 | Gas Tank |
| 4 | 1 | 467-0002-00 | Console |
| 5 | 1 | 439-0022-00 | Mower Control Panel Bracket |
| 6 | 6 | 418-0055-00 | 10-24 X 1/2 SOCKET C/S 18-8 SS |
| 7 | 6 | 419-0011-00 | #10 SPLIT LOCKWASHER 18-8 SS |
| 8 | 2 | 413-0008-00 | 10-24 NYLON INSERT LOCKNUT 18-8 SS |
| 9 | 1 | 486-0004-00 | Mower Control Console, Carbureted Engine |
| 10 | 1 | 464-0002-00 | Choke Cable |
| 11 | 1 | 677-2075-00 | 12 Volt Auxilliary Plug |
| 12 | 8 | 418-0054-00 | 5/16-18 X 3/4 HEX C/S ZINC |
| 13 | 8 | 419-0007-00 | 1/2 USS FLAT WASHER ZINC |
| 14 | 8 | 419-0009-00 | 5/16 SPLIT LOCKWASHER ZINC |
| 15 | 1 | 467-0008-00 | Tank Fill Neck Non-Venting Cap |
| 16 | 1 | 464-0001-00 | Mower Throttle Cable Assembly w / Handle |
| 17 | 2 | 439-0006-00 | Mower Muffler Guard |
| 18 | 4 | 413-0013-00 | 3/8-16 NYLON INSERT FLANGE LOCKNUT ZINC |
| 19 | 2 | 418-0008-00 | 5/16-18 X 3/4 CARRIAGE BOLT ZINC |
| 20 | 4 | 418-0018-00 | 3/8-16 X 4 CARRIAGE BOLT ZINC |
| 21 | 1 | 486-0011-00 | Briggs and Stratton Wiring Harness |
| 22 | 1 | 751-1014-00 | 1/4 Fuel Line - Low Perm |
| 23 | 1 | 451-0002-00 | vapor vent line tube |
| 24 | 4 | 472-0003-00 | 1/4 Spring Hose Clamp |
| 25 | 1 | 490-0008-00 | Mower SRT Frame Assembly |
| 26 | 1 | 439-0064-00 | Mower Engine Cowling |
| 27 | 1 | 439-0006-00 | Mower Muffler Guard |
| 28 | 1 | 486-0013-00 | Wiring Harness |

61" Deck Assembly 1



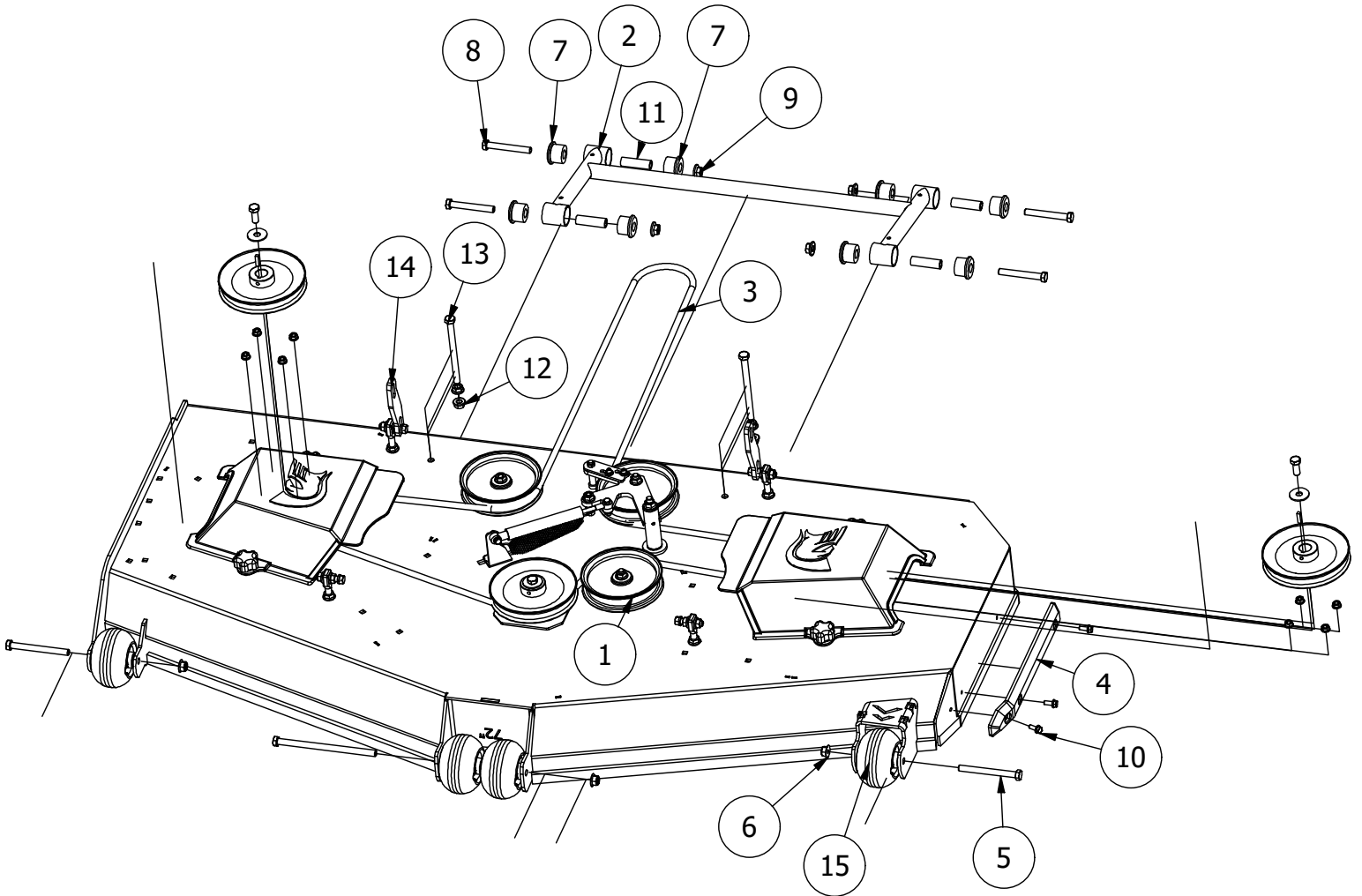
| PARTS LIST | | | |
|------------|-----|-------------|--|
| ITEM | QTY | PART NUMBER | DESCRIPTION |
| 1 | 12 | 413-0005-00 | 1/2-13 HEX FLANGE NUT W/SERR ZINC YELLOW |
| 2 | 2 | 433-0015-00 | 6-3/4" Idler Pulley, 15/16" Spacer Assembly |
| 3 | 4 | 413-0002-00 | 1/2-13 NYLON INSERT FLANGE LOCKNUT ZC YELLOW |
| 4 | 1 | 418-0015-00 | 1/2-13 X 8-1/2 HEX C/S GR 2 ZINC YELLOW |
| 5 | 3 | 418-0049-00 | 5/16-18 X 3/4 IND HWH TRI LOB ZINC |
| 6 | 1 | 490-0014-00 | Mower 54"/61" Deck Frame Stabilizer Assembly |
| 7 | 4 | 413-0017-00 | 1/2-13 NYLON INSERT FLANGE LOCKNUT ZINC W/SERRATIONS |
| 8 | 4 | 418-0021-00 | 1/2-13 X 3-3/4 HEX C/S GR 5 ZINC |
| 9 | 8 | 732-2000-00 | Large MTV A-Arm Bushing |
| 10 | 1 | 461-0002-00 | 61" Mower Deck Belt, HB x 167.9" Effective Length |
| 11 | 1 | 429-0001-00 | Mower Nylon Deck Guard |
| 12 | 4 | 732-2001-00 | Large MTV A-Arm Bushing Sleeve |
| 13 | 4 | 422-0001-00 | Anti-Scalp Wheel |
| 14 | 2 | 418-0044-00 | 1/2-13 X 6-1/2 HEX C/S GR 8 ZINC YELLOW |
| 15 | 1 | 433-0014-00 | 6-3/4" Idler Pulley, 15/16" Spacer Assembly |
| 16 | 1 | 414-0020-00 | Right Pulley Cover 61" RZ/RT/SRT, 72" RT/SRT |
| 17 | 1 | 414-0021-00 | Left Pulley Cover 61" RZ/RT/SRT, 72" RT/SRT |
| 18 | 4 | 445-0003-00 | Lobed Knob w/ 5/16"-18 insert |

61" Deck Assembly 2



| PARTS LIST | | | |
|------------|-----|-------------|--|
| ITEM | QTY | PART NUMBER | DESCRIPTION |
| 1 | 2 | 410-0007-00 | 3/4" ID X 15/16" OD X 1-1/8" LENGTH FLANGE BUSHING |
| 2 | 4 | 448-0001-00 | Mowre Deck height adjustment Stud |
| 3 | 12 | 413-0005-00 | 1/2-13 HEX FLANGE NUT W/SERR ZINC YELLOW |
| 4 | 2 | 433-0015-00 | 6-3/4" Idler Pulley, 15/16" Spacer Assembly |
| 5 | 1 | 418-0009-00 | 1/2-13 X 5-1/2 HEX FLANGE BOLT GR 8 ZY |
| 6 | 4 | 413-0002-00 | 1/2-13 NYLON INSERT FLANGE LOCKNUT ZC YELLOW |
| 7 | 2 | 418-0011-00 | 7/16-14 X 1-3/4 HEX C/S GR 2 ZINC (NOT A/T) |
| 8 | 4 | 413-0001-00 | 7/16-14 HEX FLANGE NUT W/SERR ZINC |
| 9 | 1 | 418-0012-00 | 1/2-13 X 2-1/4 HEX C/S GR 5 ZINC |
| 10 | 3 | 413-0010-00 | 1/2-13 HEX FLANGE NUT W/SERR ZINC |
| 11 | 2 | 418-0014-00 | 1/2-13 X 2-1/2 HEX FLANGE BOLT GR 8 ZC YELLOW |
| 12 | 1 | 434-0005-00 | Deck/pump idler spring |
| 13 | 2 | 413-0027-00 | 5/16-18 NYLON INSERT FLANGE LOCKNUT ZC YELLOW |
| 14 | 4 | 418-0046-00 | 7/16-14 X 2 HEX C/S GR 5 ZINC YELLOW |
| 15 | 9 | 413-0011-00 | 7/16-14 HEX FLANGE NUT W/SERR ZINC YELLOW |
| 16 | 4 | 419-0010-00 | .443 ID X .750 OD X .125 THK NYLON BLACK |
| 17 | 2 | 418-0044-00 | 1/2-13 X 6-1/2 HEX C/S GR 8 ZINC YELLOW |
| 18 | 1 | 439-0257-00 | Deck Idler Pulley Belt Retainer Brkt |
| 19 | 2 | 418-0010-00 | 5/16-18 X 1 CARRIAGE BOLT ZC/YEL |
| 20 | 2 | 413-0006-00 | 5/16-18 HEX FLANGE NUT W/SERR ZINC |
| 21 | 1 | 439-0335-00 | Deck Belt Idler Damper Mounting Bracket |
| 22 | 1 | 434-0009-00 | Idler Gas Spring |
| 23 | 1 | 418-0109-00 | 5/16- 18 x 1 1/4 Hex C/S (GR.8) ZC/Yel |
| 24 | 1 | 418-0108-00 | 5/16 x1 Hex C/S (GR8) ZC/Yel |
| 25 | 1 | 419-0016-00 | 5/16" ID X 5/8" OD X 1/16" THK BRONZE WASHER |
| 26 | 1 | 418-0017-00 | 7/16-14 X 1 CARRIAGE BOLT ZINC |
| 27 | 1 | 433-0014-00 | 6-3/4" Idler Pulley, 15/16" Spacer Assembly |
| 28 | 1 | 490-0061-00 | 2020 61 RT/SRT Deck assembly |

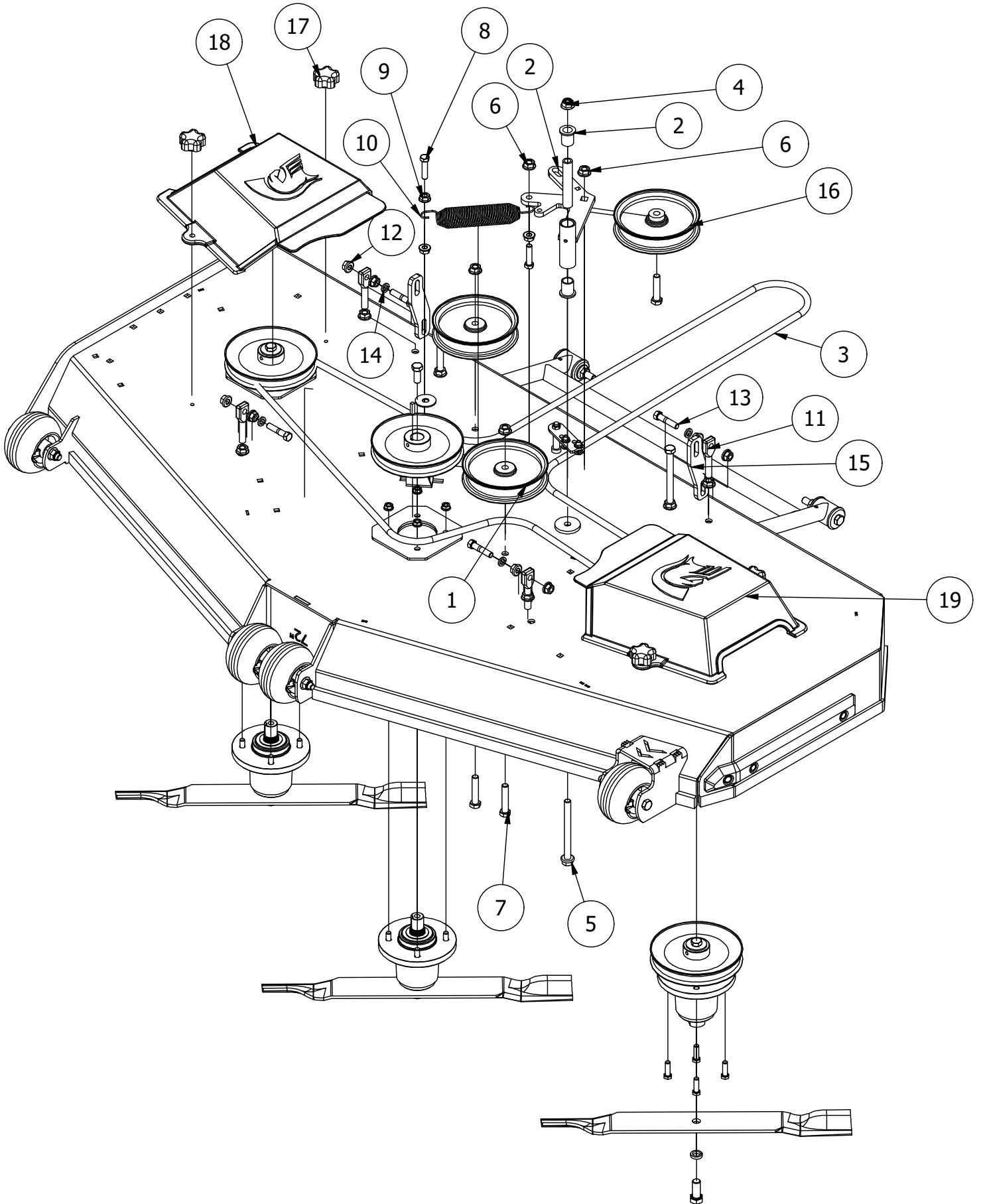
72" Deck Assembly 1



PARTS LIST

| ITEM | QTY | PART NUMBER | DESCRIPTION |
|------|-----|-------------|--|
| 1 | 2 | 433-0015-00 | 6-3/4" Idler Pulley, 15/16" Spacer Assembly |
| 2 | 1 | 490-0015-00 | Mower 72" Deck Frame Stabilizer Assembly |
| 3 | 1 | 461-0003-00 | 72" Mower Deck Belt, HB x 186.5" Effective Length |
| 4 | 1 | 429-0001-00 | Mower Nylon Deck Guard |
| 5 | 2 | 418-0016-00 | 1/2-13 X 5 HEX C/S GR 2 ZINC YELLOW |
| 6 | 4 | 413-0002-00 | 1/2-13 NYLON INSERT FLANGE LOCKNUT ZC YELLOW |
| 7 | 8 | 732-2000-00 | Large MTV A-Arm Bushing |
| 8 | 4 | 418-0021-00 | 1/2-13 X 3-3/4 HEX C/S GR 5 ZINC |
| 9 | 4 | 413-0017-00 | 1/2-13 NYLON INSERT FLANGE LOCKNUT ZINC W/SERRATIONS |
| 10 | 3 | 418-0049-00 | 5/16-18 X 3/4 IND HWH TRI LOB ZINC |
| 11 | 4 | 732-2001-00 | Large MTV A-Arm Bushing Sleeve |
| 12 | 12 | 413-0005-00 | 1/2-13 HEX FLANGE NUT W/SERR ZINC YELLOW |
| 13 | 2 | 418-0044-00 | 1/2-13 X 6-1/2 HEX C/S GR 8 ZINC YELLOW |
| 14 | 2 | 435-0011-00 | Mower 72" Deck Rear Height Arm Connecting Link |
| 15 | 4 | 422-0001-00 | Anti-Scalp Wheel |

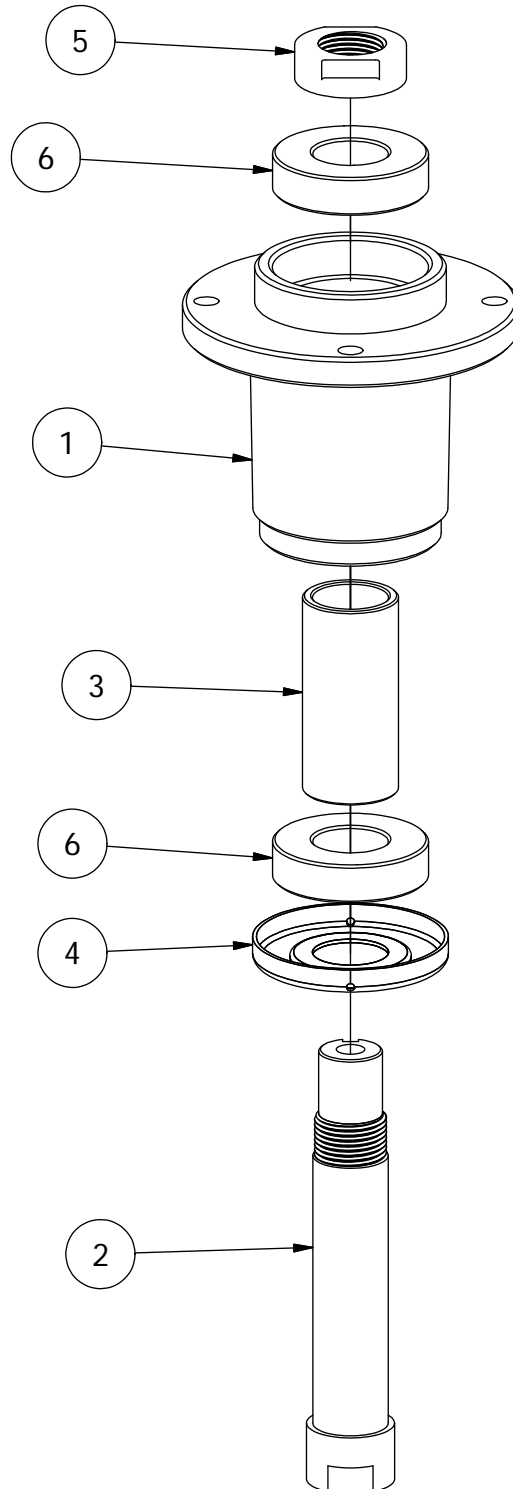
72" Deck Assembly 2



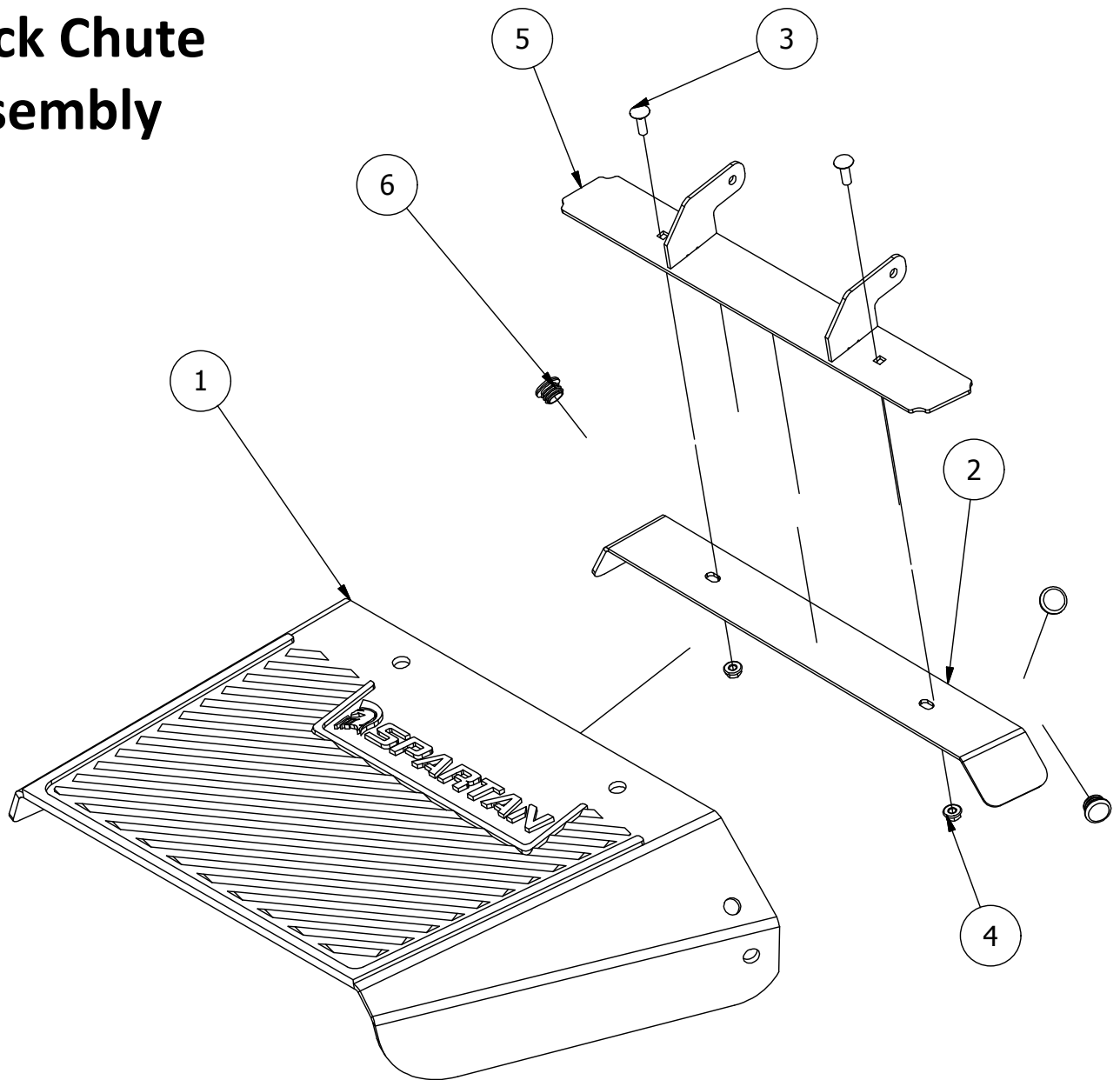
| PARTS LIST | | | |
|------------|-----|-------------|---|
| ITEM | QTY | PART NUMBER | DESCRIPTION |
| 1 | 2 | 433-0015-00 | 6-3/4" Idler Pulley, 15/16" Spacer Assembly |
| 2 | 1 | 490-0019-00 | Mower Deck Idler Pulley Arm Assembly |
| 3 | 1 | 461-0003-00 | 72" Mower Deck Belt, HB x 186.5" Effective Length |
| 4 | 4 | 413-0002-00 | 1/2-13 NYLON INSERT FLANGE LOCKNUT ZC YELLOW |
| 5 | 1 | 418-0009-00 | 1/2-13 X 5-1/2 HEX FLANGE BOLT GR 8 ZY |
| 6 | 4 | 413-0010-00 | 1/2-13 HEX FLANGE NUT W/SERR ZINC |
| 7 | 2 | 418-0014-00 | 1/2-13 X 2-1/2 HEX FLANGE BOLT GR 8 ZC YELLOW |
| 8 | 2 | 418-0011-00 | 7/16-14 X 1-3/4 HEX C/S GR 2 ZINC (NOT A/T) |
| 9 | 3 | 413-0001-00 | 7/16-14 HEX FLANGE NUT W/SERR ZINC |
| 10 | 1 | 434-0005-00 | Deck/pump idler spring |
| 11 | 4 | 448-0001-00 | Mowre Deck height adjustment Stud |
| 12 | 9 | 413-0011-00 | 7/16-14 HEX FLANGE NUT W/SERR ZINC YELLOW |
| 13 | 4 | 418-0046-00 | 7/16-14 X 2 HEX C/S GR 5 ZINC YELLOW |
| 14 | 4 | 419-0010-00 | .443 ID X .750 OD X .125 THK NYLON BLACK |
| 15 | 2 | 435-0011-00 | Mower 72" Deck Rear Height Arm Connecting Link |
| 16 | 1 | 433-0014-00 | 6-3/4" Idler Pulley, 15/16" Spacer Assembly |
| 17 | 4 | 445-0003-00 | Lobed Knob w/ 5/16"-18 insert |
| 18 | 1 | 414-0020-00 | Right Pulley Cover 61" RZ/RT/SRT, 72" RT/SRT |
| 19 | 1 | 414-0021-00 | Left Pulley Cover 61" RZ/RT/SRT, 72" RT/SRT |

(2 Bearing) Deck Spindle Assembly Parts List

| ITEM | QTY | PART NUMBER | DESCRIPTION |
|------|-----|-------------|--|
| 1 | 1 | 437-0015-00 | Mower Deck Spindle Casting for 437-0004-00 |
| 2 | 1 | 437-0010-00 | Deck Spindle Shaft For 437-0004-00 and 437-0005-00 |
| 3 | 1 | 437-0011-00 | Deck Spindle Spacer for 437-0004-00 |
| 4 | 1 | 437-0014-00 | Mower Deck Spindle Dust Cup |
| 5 | 1 | 437-0013-00 | Mower Deck Spindle Nut for 437-0004-00 and 437-0005-00 |
| 6 | 2 | 410-0003-00 | Spindle Bearing |



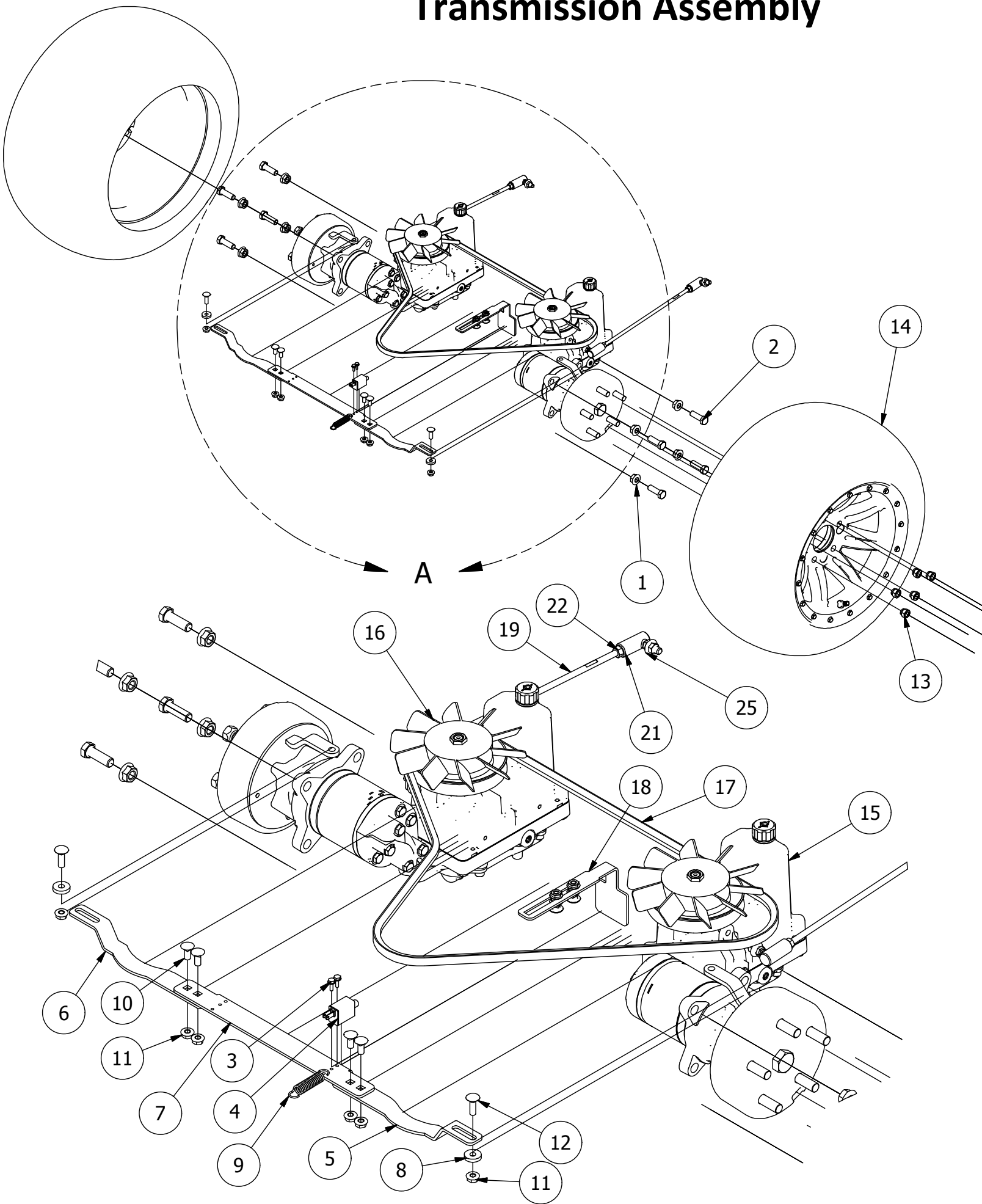
Deck Chute Assembly



Parts List

| ITEM | QTY | PART NUMBER | DESCRIPTION |
|------|-----|-------------|---|
| 1 | 1 | 481-0008-00 | Mower Rubber Discharge Chute 2018 |
| 2 | 1 | 439-0190-00 | Deck Chute Hinge Backer Bracket |
| 3 | 2 | 418-0060-00 | 5/16-18 X 1 CARRIAGE BOLT ZINC YELLOW |
| 4 | 2 | 413-0027-00 | 5/16-18 NYLON INSERT FLANGE LOCKNUT ZC YELLOW |
| 5 | 1 | 490-0056-00 | RT/SRT Deck Chute Hinge Assembly |
| 6 | 3 | 414-0017-00 | 1" Round Tube Glide:Textured BLK Plastic Plug |

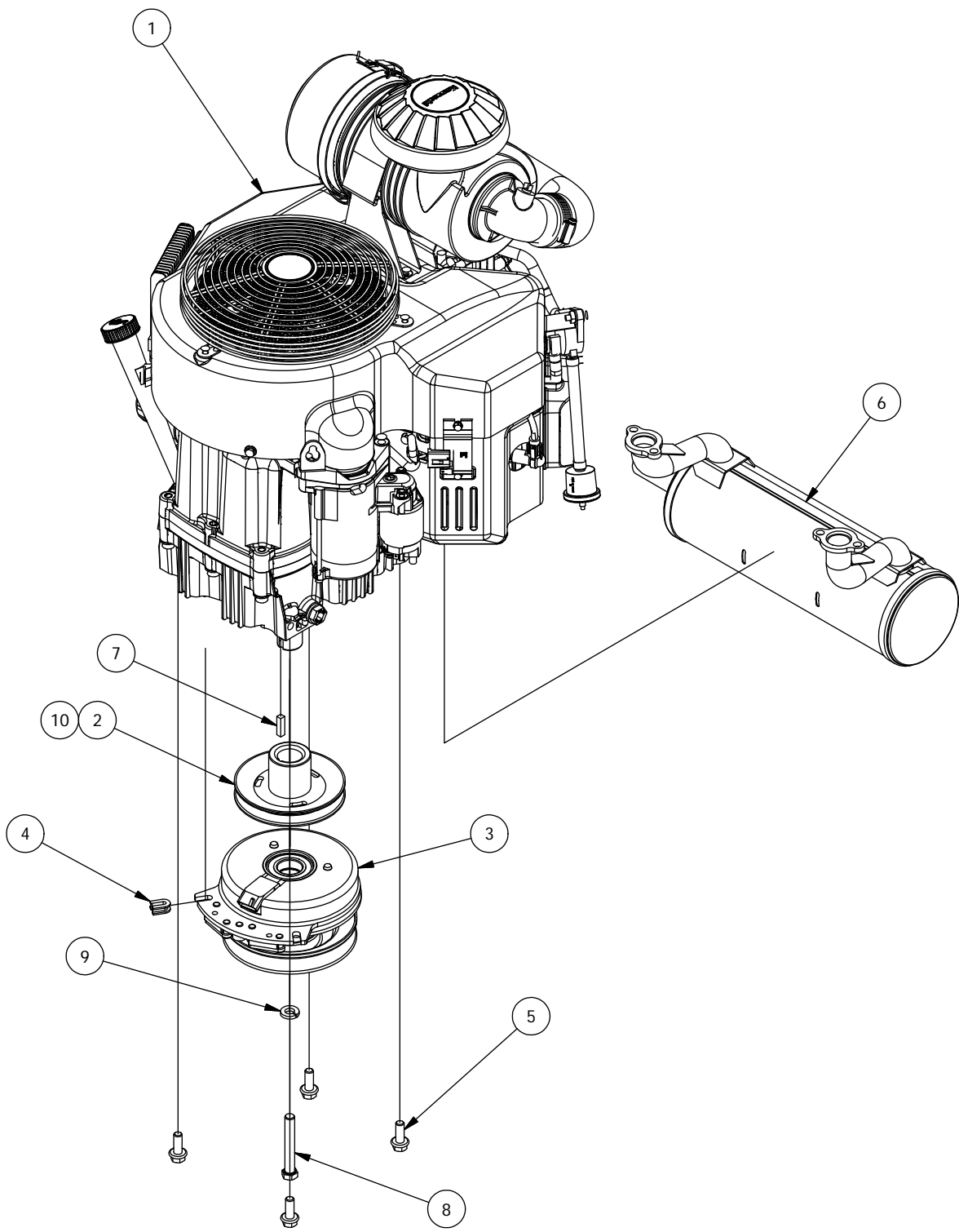
Transmission Assembly



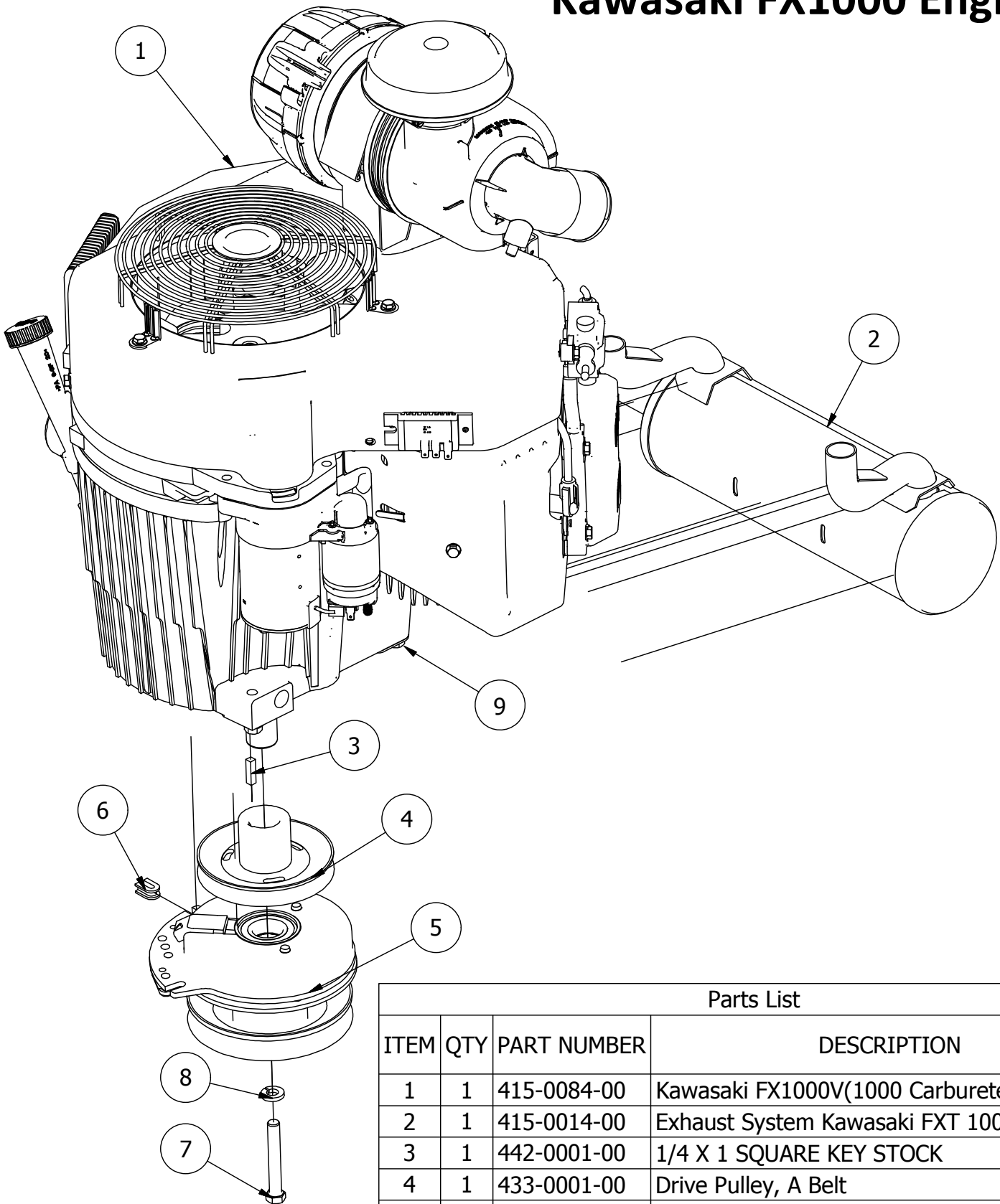
DETAIL A

| Transmission Assembly Parts List | | | |
|----------------------------------|-----|-------------|---|
| ITEM | QTY | PART NUMBER | DESCRIPTION |
| 1 | 8 | 413-0010-00 | 1/2-13 HEX FLANGE NUT W/SERR ZINC |
| 2 | 8 | 418-0020-00 | 1/2-13 X 1-1/2 HEX C/S GR 5 ZINC |
| 3 | 2 | 418-0032-00 | 8-32 X 1/2 IND. HWH SLOT TYPE F TCS ZINC |
| 4 | 1 | 486-0030-00 | Safety Switch |
| 5 | 1 | 439-0083-00 | Mower Park Brake Right Actuation Bracket |
| 6 | 1 | 439-0082-00 | Mower Park Brake Left Actuation |
| 7 | 1 | 439-0079-00 | Mower Park Brake Center Bracket |
| 8 | 2 | 419-0006-00 | .312 ID X .875 OD X .1875 THK F/W NYLON BLK |
| 9 | 1 | 434-0003-00 | Brake Pedal Release Spring |
| 10 | 4 | 418-0008-00 | 5/16-18 X 3/4 CARRIAGE BOLT ZINC |
| 11 | 6 | 413-0019-00 | 5/16-18 NYLON INSERT FLANGE L/NUT ZINC |
| 12 | 4 | 418-0010-00 | 5/16-18 X 1 CARRIAGE BOLT ZINC |
| 13 | 10 | 413-0015-00 | 1/2-20 WHEEL NUT 60 DEGREE GR 5 ZINC |
| 14 | 2 | 422-0005-00 | Mower 24x14x12 Rear Tire/Wheel Assembly |
| 15 | 1 | 450-0016-00 | HTG16 Parker Right Side Transmission w/ Control Orifice |
| 16 | 1 | 450-0015-00 | HTG16 Parker Left Side Transmission w/ Control Orifice |
| 17 | 1 | 461-0004-00 | Mower A Pump Belt, A x 68.25" Effective Length |
| 18 | 1 | 439-0066-00 | Mower Standard Transmission Brake Interlock Bracket |
| 19 | 2 | 435-0002-00 | Transmission Drive Arm Rod Standard Transmission |
| 20 | 2 | 410-0001-00 | Control Arm Rod End, Right |
| 21 | 2 | 410-0002-00 | Control Arm Rod End, Left |
| 22 | 2 | 413-0003-00 | 5/16 Hex Nut Left hand thread |

| Kawasaki FX 850cc Engine assembly | | | |
|-----------------------------------|-----|-------------|--|
| ITEM | QTY | PART NUMBER | DESCRIPTION |
| 1 | 1 | 415-0020-00 | FX 850cc Engine For RT/SRT |
| 2 | 1 | 433-0001-00 | Drive Pulley, A Belt |
| 3 | 1 | 470-0002-00 | PTO Clutch |
| 4 | 1 | 437-0025-00 | Mower Rotation Stop Brkt Sleeve |
| 5 | 4 | 418-0023-00 | 3/8-16 X 1-1/8 IND HWH W/SERR TRI LOB ZY |
| 6 | 1 | 415-0065-00 | Exhaust System Kawasaki FX 850cc engine |
| 7 | 1 | 442-0001-00 | 1/4 X 1 SQUARE KEY STOCK |
| 8 | 1 | 418-0022-00 | 7/16-20 X 3 HEX C/S GR 8 ZC YELLOW |
| 9 | 1 | 419-0005-00 | 7/16 SPLIT LOCKWASHER GR 8 ZC YELLOW |
| 10 | 1 | 433-0002-00 | Drive Pulley, B Belt (Only with HTG16 Transmissions) |



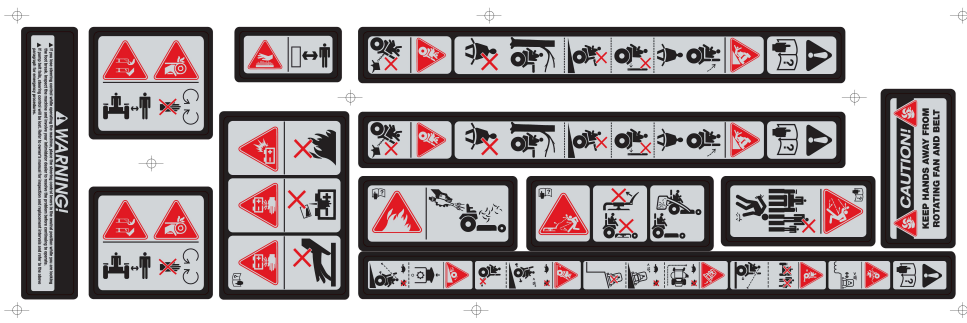
Kawasaki FX1000 Engine



Parts List

| ITEM | QTY | PART NUMBER | DESCRIPTION |
|------|-----|-------------|--|
| 1 | 1 | 415-0084-00 | Kawasaki FX1000V(1000 Carbureted Engine) |
| 2 | 1 | 415-0014-00 | Exhaust System Kawasaki FXT 100V |
| 3 | 1 | 442-0001-00 | 1/4 X 1 SQUARE KEY STOCK |
| 4 | 1 | 433-0001-00 | Drive Pulley, A Belt |
| 5 | 1 | 470-0002-00 | PTO Clutch |
| 6 | 1 | 437-0025-00 | Mower Rotation Stop Brkt Sleeve |
| 7 | 1 | 418-0022-00 | 7/16-20 X 3 HEX C/S GR 8 ZC YELLOW |
| 8 | 1 | 419-0005-00 | 7/16 SPLIT LOCKWASHER GR 8 ZC YELLOW |
| 9 | 4 | 418-0023-00 | 3/8-16 X 1-1/8 IND HWH W/SERR TRI LOB ZY |

491-0001-00
Spartan Logo/Warning Label Cluster



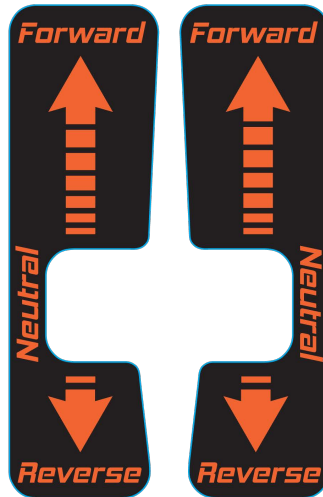
491-0038-00
Parker Decal



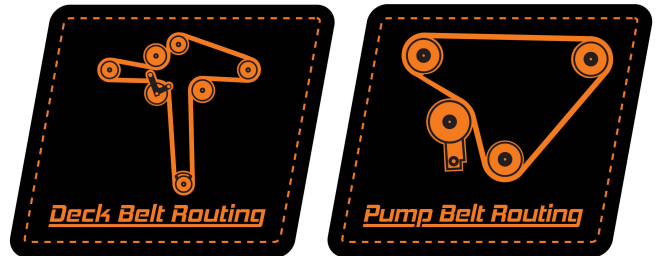
491-0039-00
Mower Scale Decal



491-0033-00
Spartan Drive Arm



491-0003-00
Spartan Belt Routing Decal Cluster



491-0077
Mower EPA Decal



491-0002-00
Spartan Step Decal



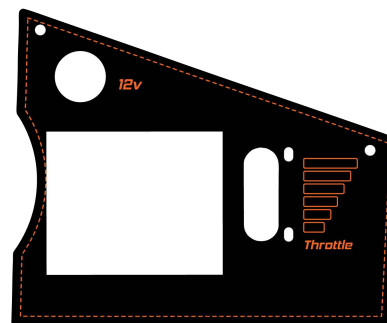
491-0031-00
61" Deck Decal



491-0032-00
72" Deck Decal



491-0004-00 Spartan
Console Decal



491-0117-00
SRT-XD 999CC Decal



491-0079-00
BushRanger Front Decal



491-0120-00
Fuel Tank Decal Left Side



491-0121
Fuel Tank Decal Right Side

